

Robert Bosch Power Tools GmbH
70538 Stuttgart
GERMANY

www.bosch-pt.com

1 609 92A 34M (2016.09) 0 / 39



1 609 92A 34M

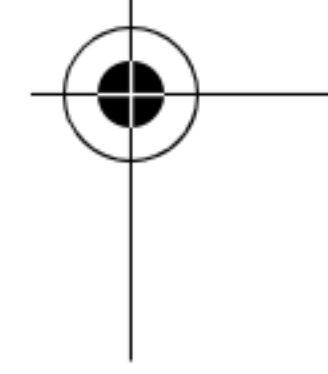
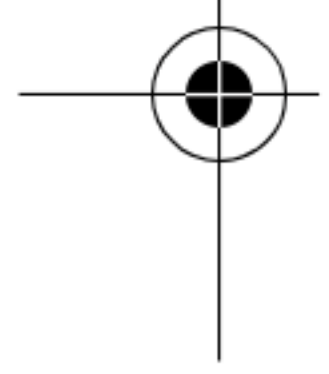
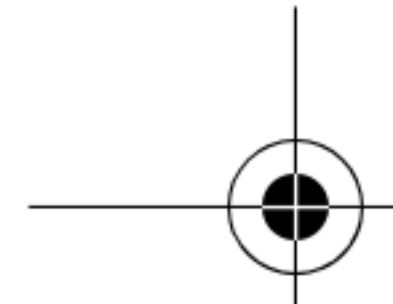
GSR | GSB Professional

140-LI | 180-LI



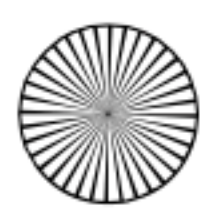
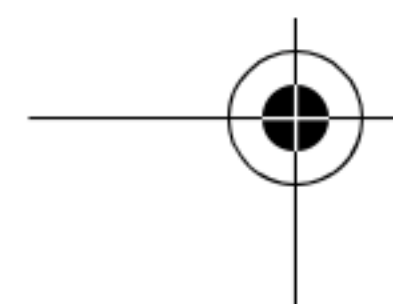
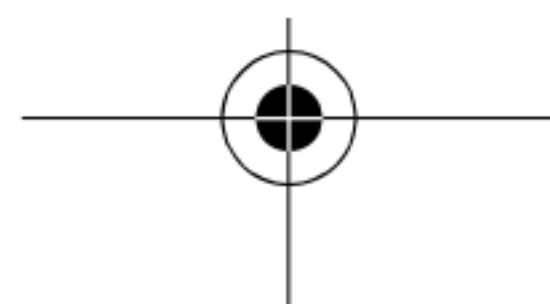
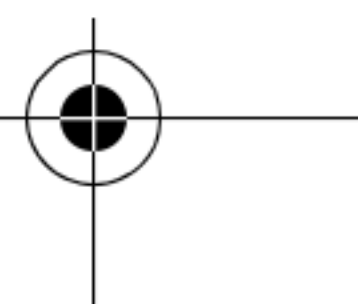
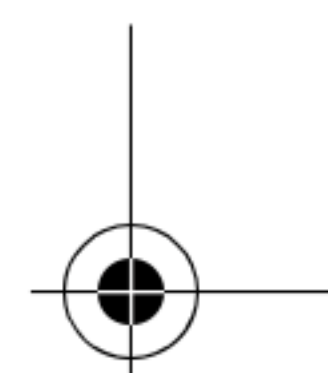
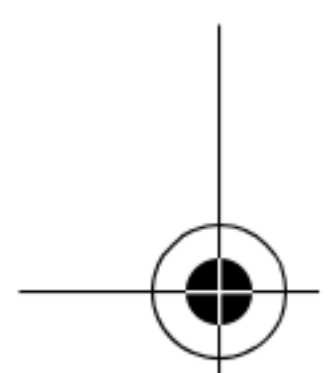
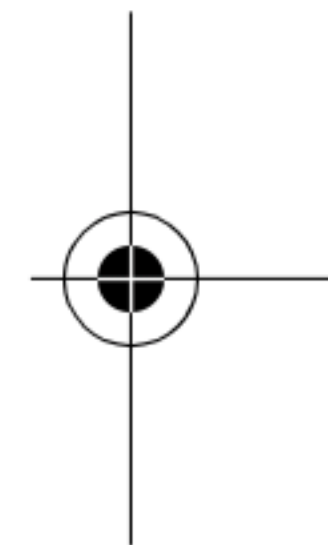
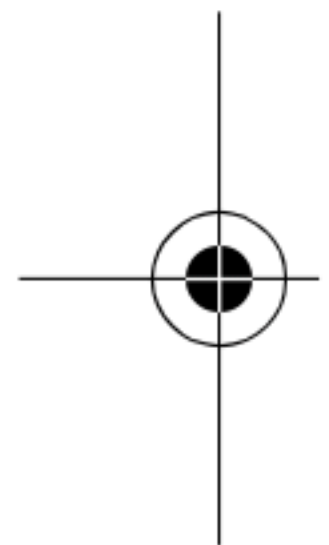
- en** Original instructions
- ru** Оригинальное руководство по эксплуатации
- uk** Оригінальна інструкція з експлуатації
- kk** Пайдалану нұсқаулығының түпнұсқасы

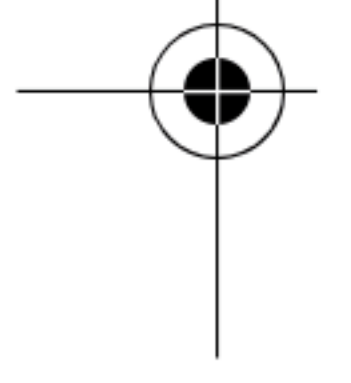
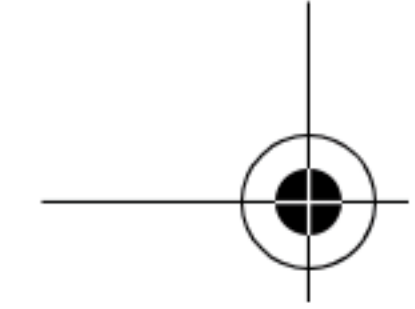
1
ЦИКЛЕВОЧНАЯ
КОМПАНИЯ



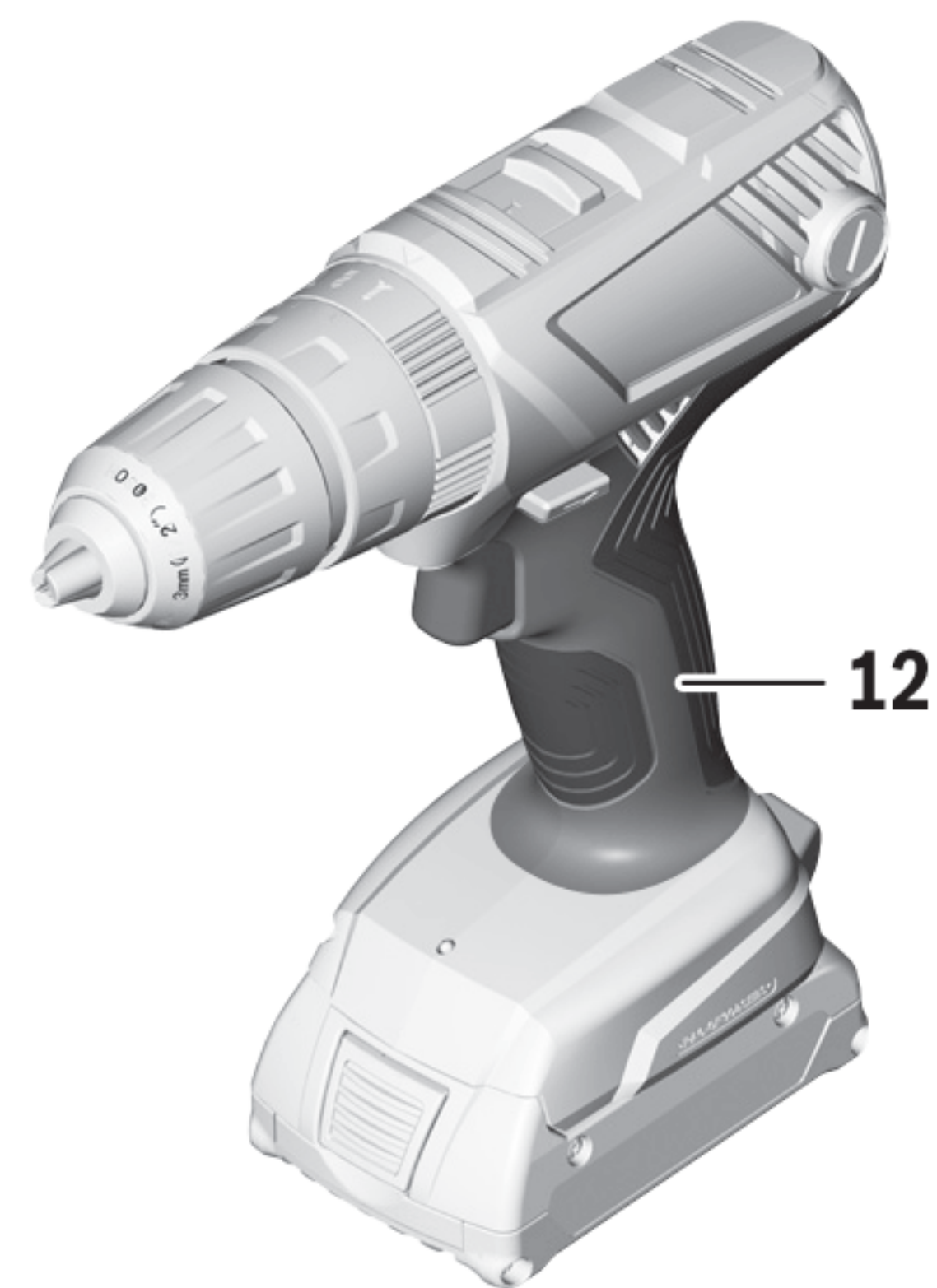
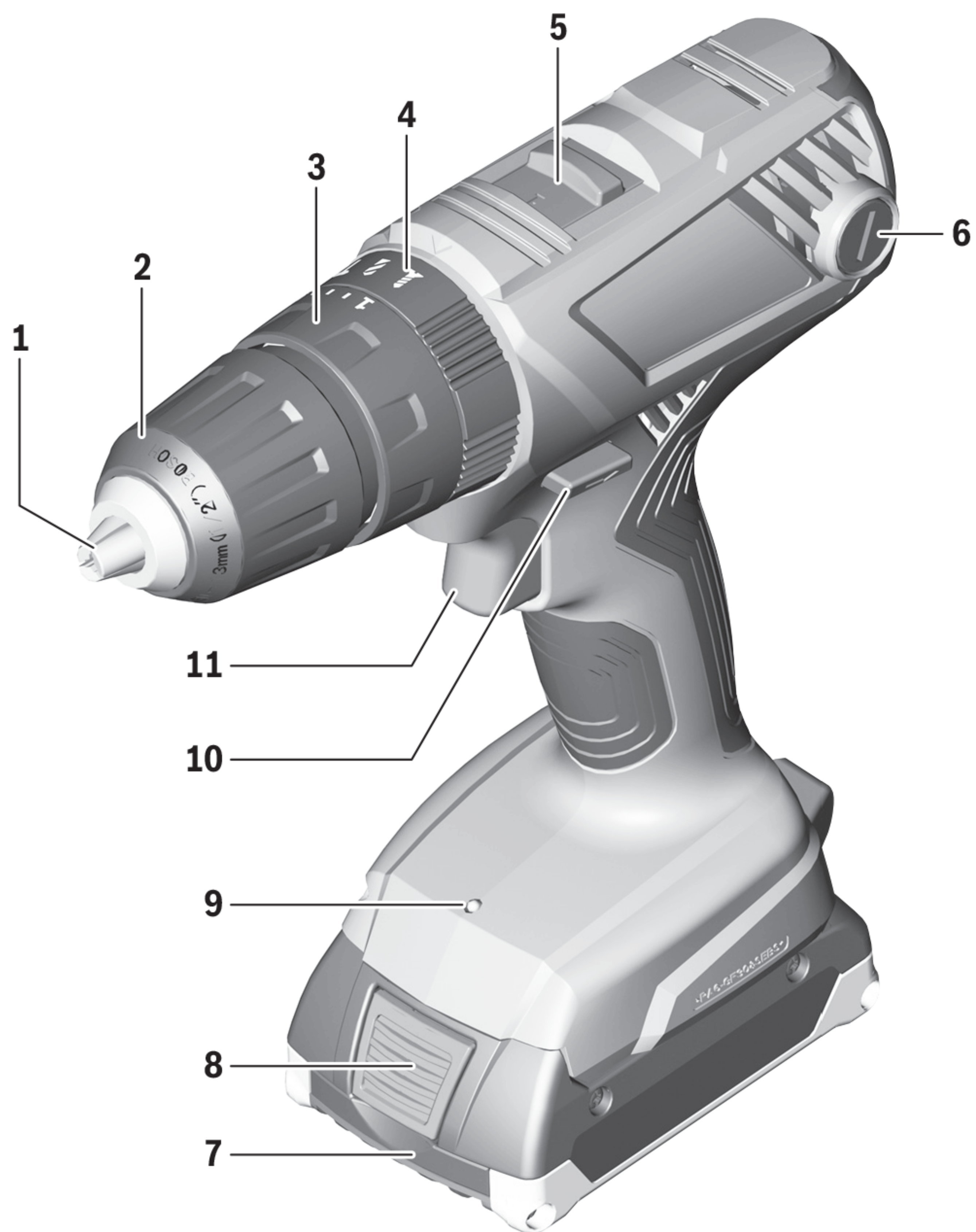
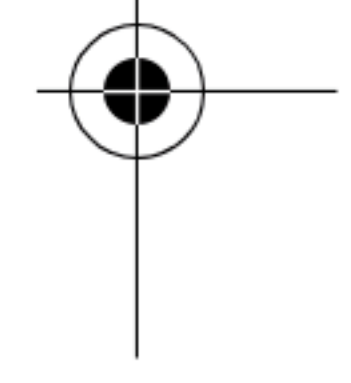
EnglishPage 6
 Русский Страница 12
 Українська Сторінка 20
 Қазақша Бет 27

CE I

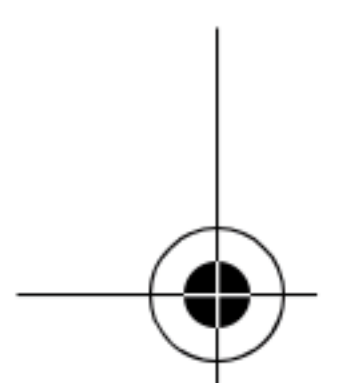
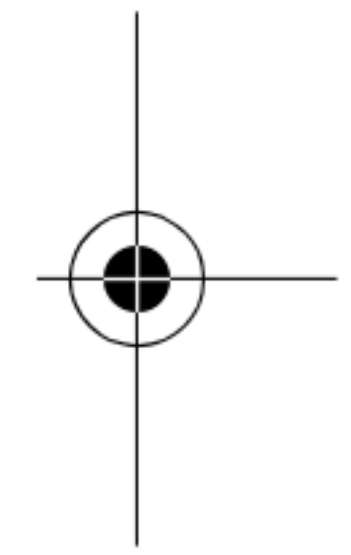
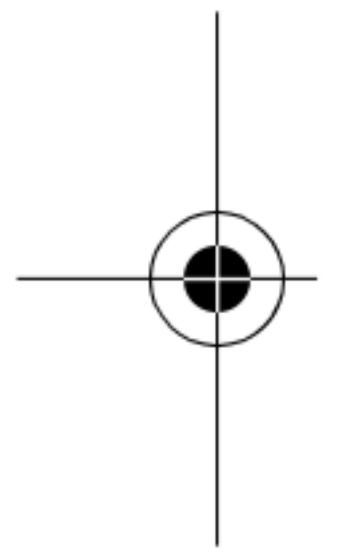




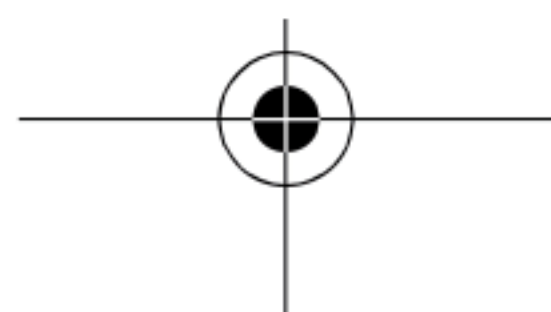
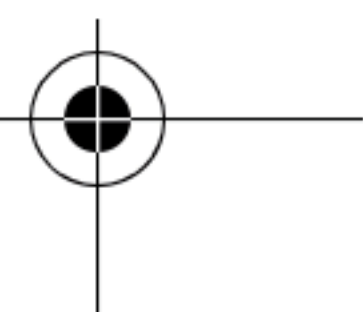
3 |



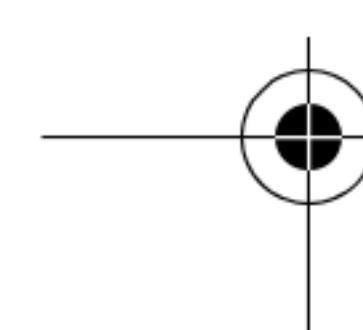
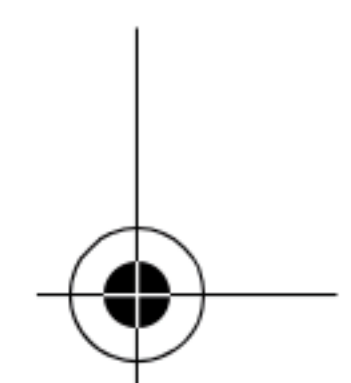
GSB 180-LI

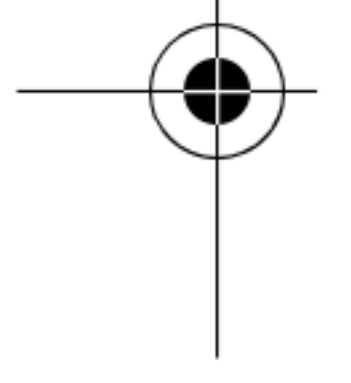
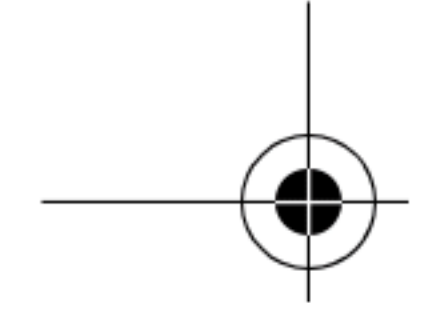
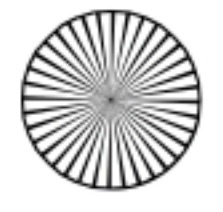


1 609 92A 34M | (15.9.16)

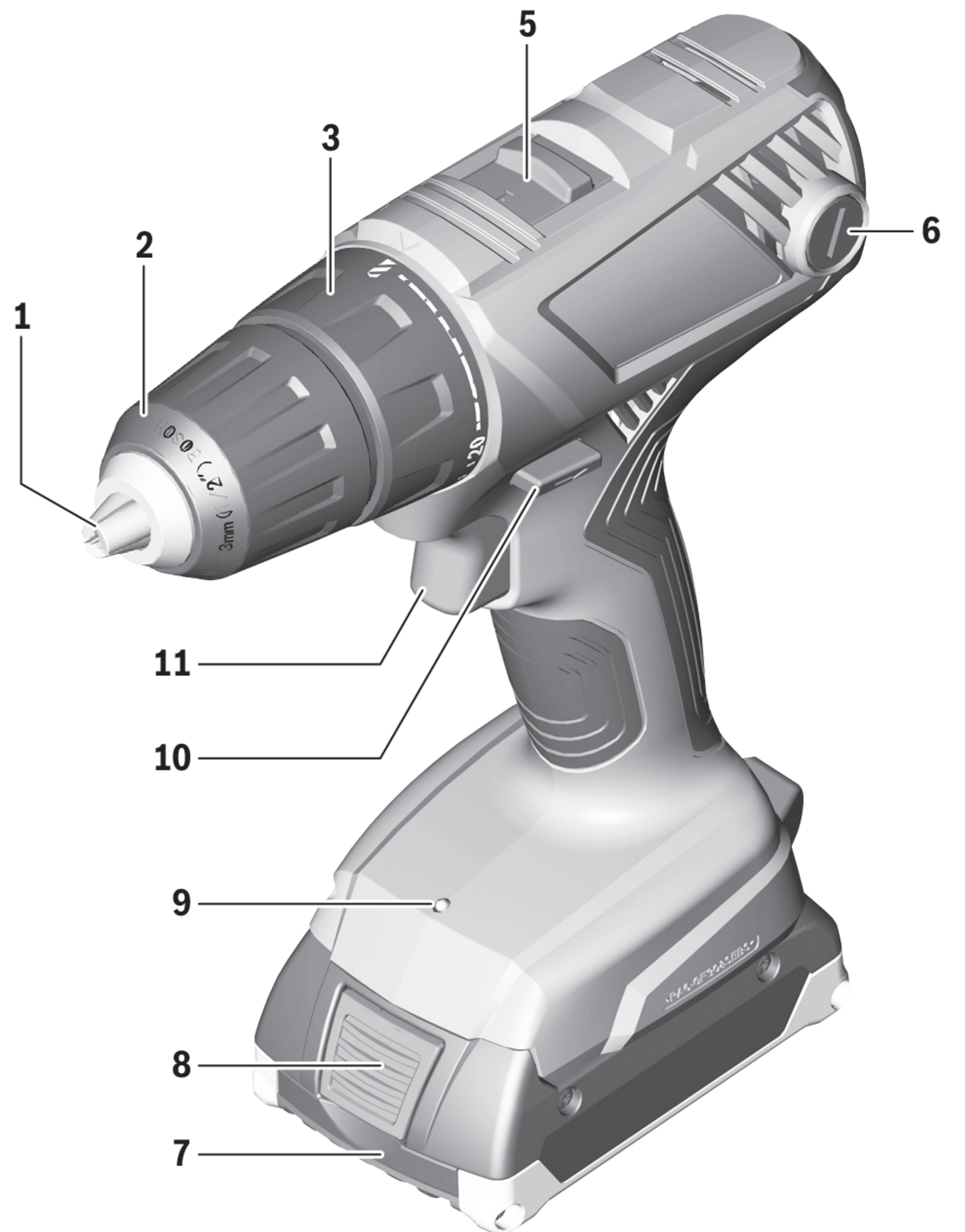
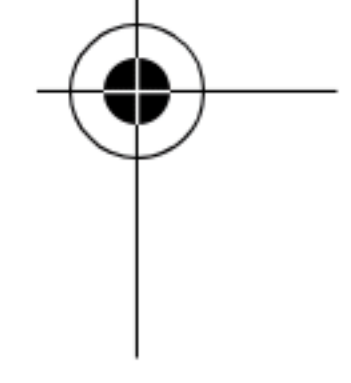


1
ЦИКЛОВОЧНАЯ
КОМПАНИЯ

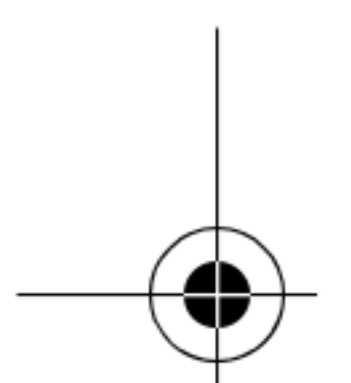
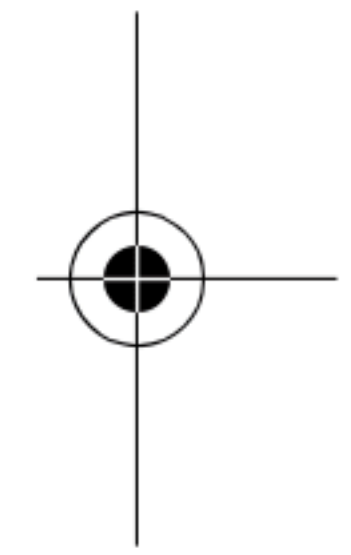
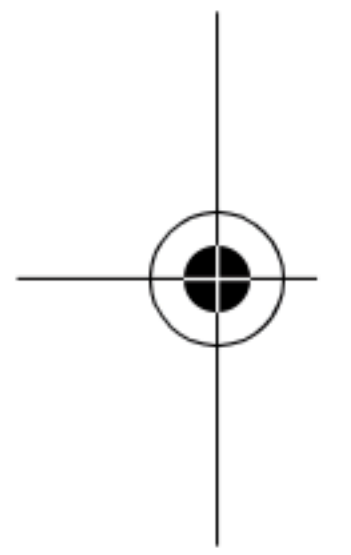




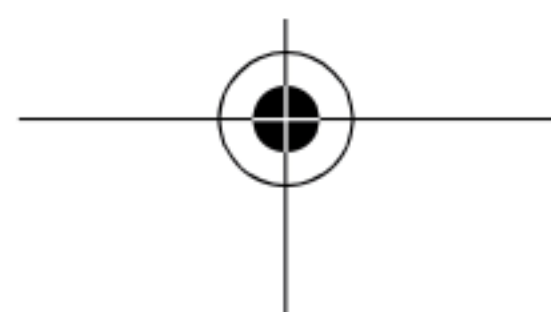
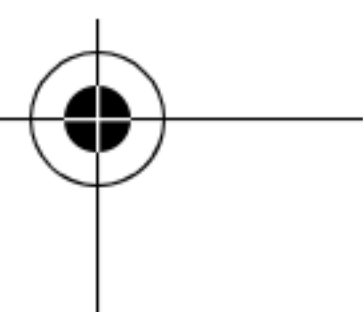
4 |



GSR 180-LI

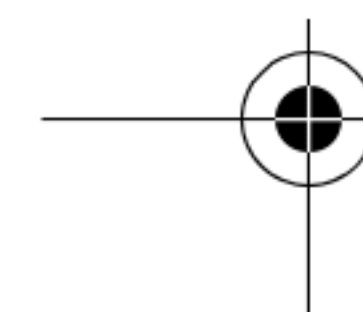
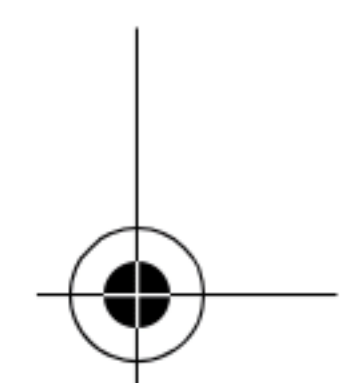


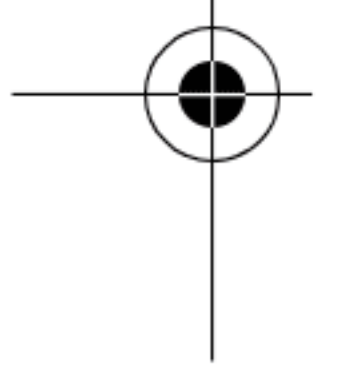
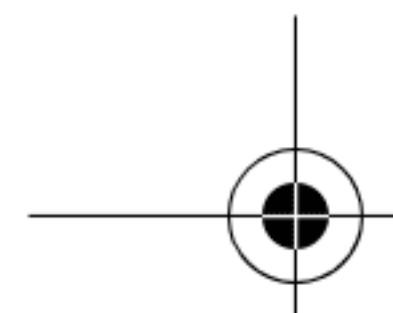
1 609 92A 34M | (15.9.16)



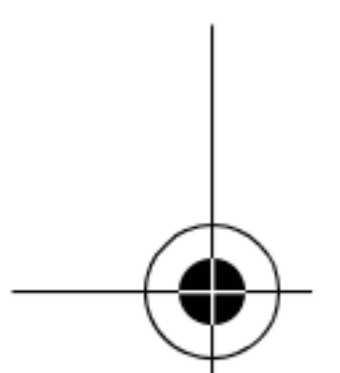
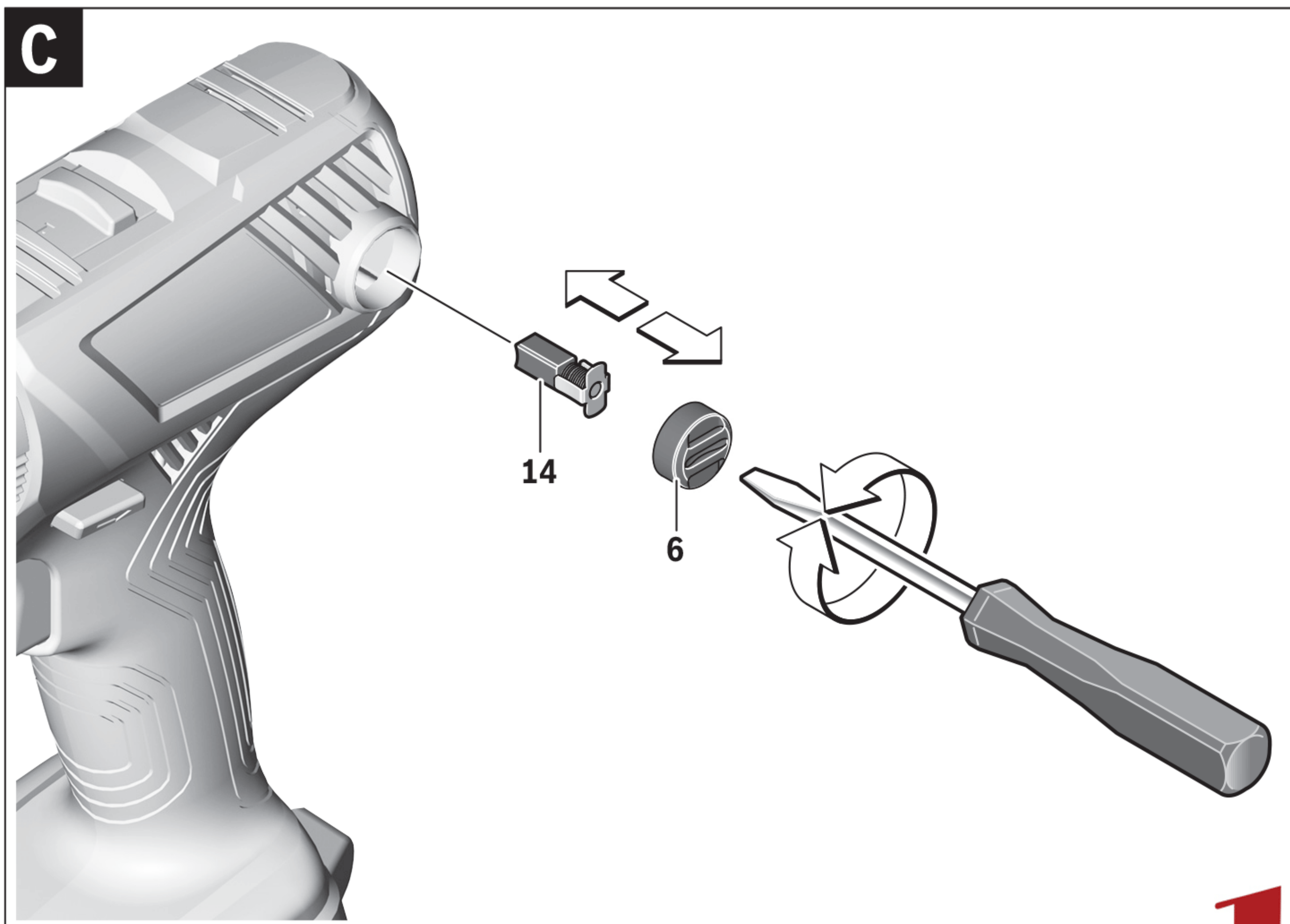
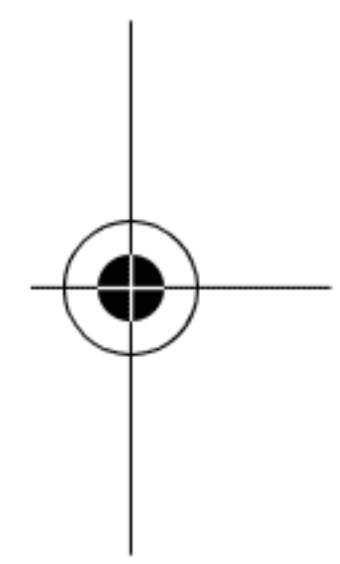
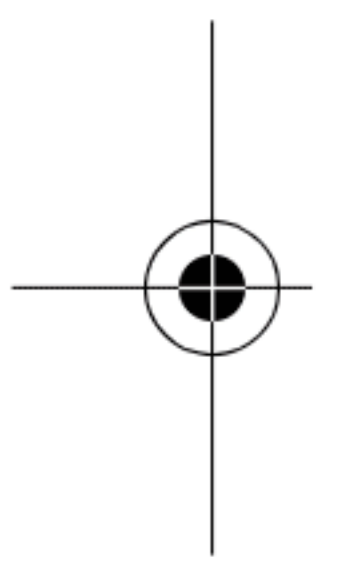
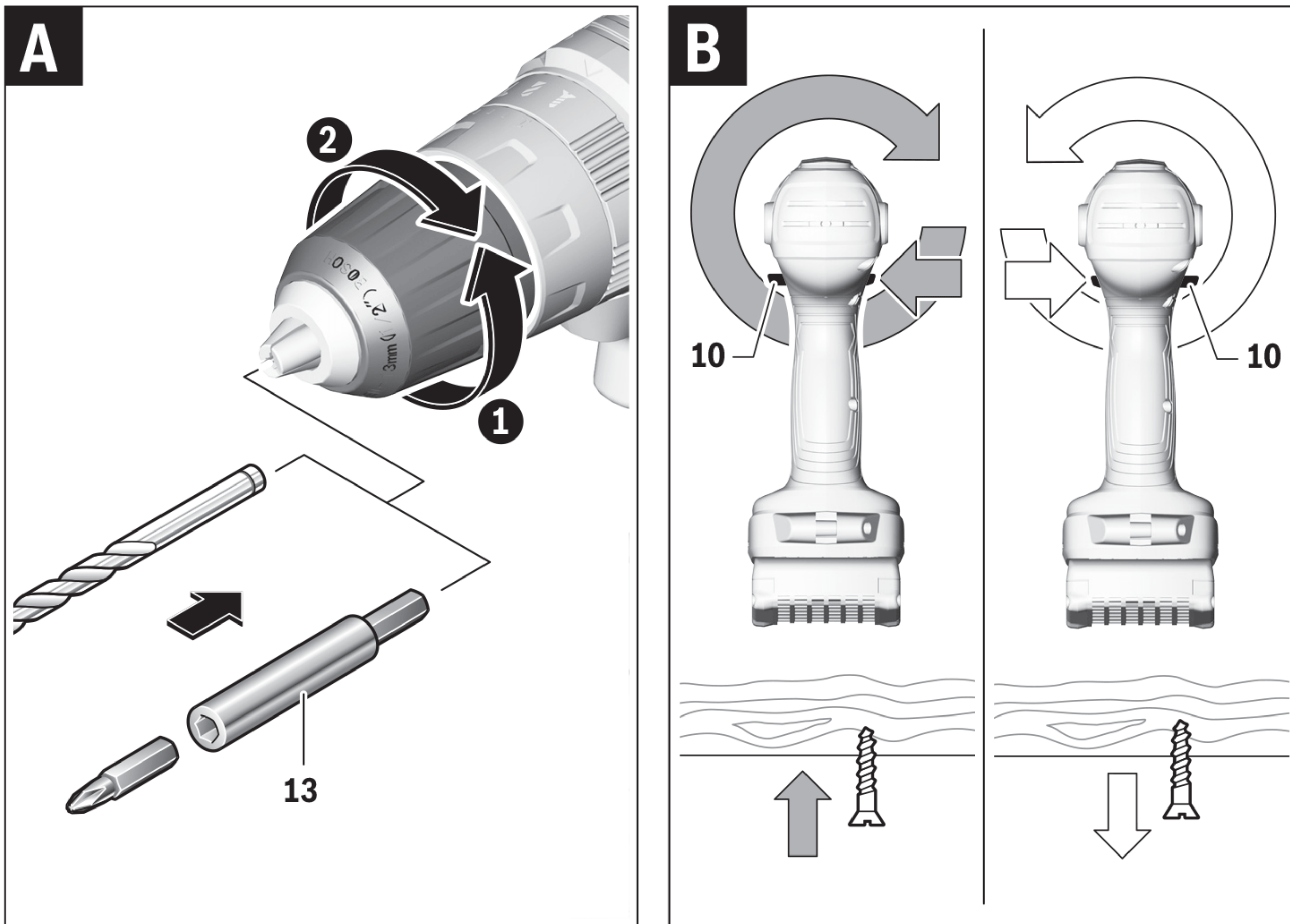
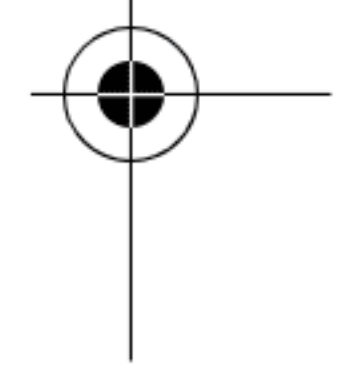
1

**ЦИКЛЕВОНАЯ
КОМПАНИЯ**





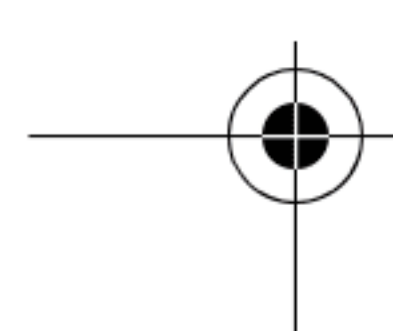
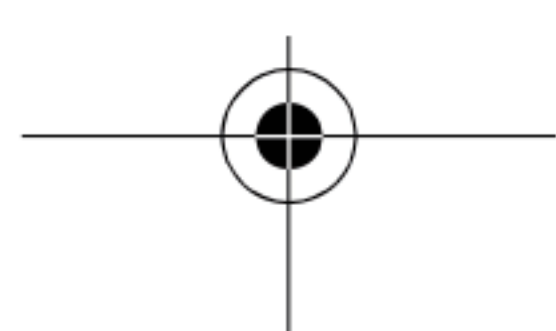
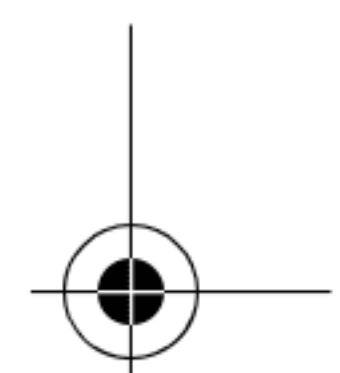
5 |

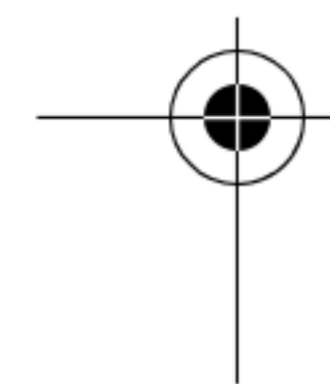
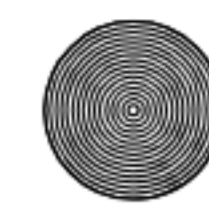
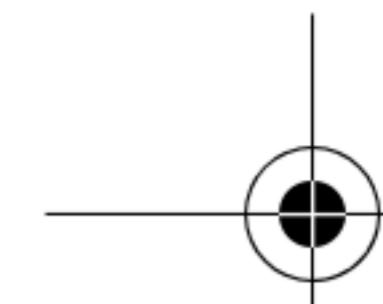


1 609 92A 34M | (15.9.16)

E

1
ЦИКЛЕВОНАЯ
КОМПАНИЯ





English

Safety Notes

General Power Tool Safety Warnings

⚠ WARNING Read all safety warnings and all instructions. Failure to follow the warnings and instructions may result in electric shock, fire and/or serious injury.

Save all warnings and instructions for future reference.

The term "power tool" in the warnings refers to your mains-operated (corded) power tool or battery-operated (cordless) power tool.

Work area safety

- ▶ **Keep work area clean and well lit.** Cluttered or dark areas invite accidents.
- ▶ **Do not operate power tools in explosive atmospheres, such as in the presence of flammable liquids, gases or dust.** Power tools create sparks which may ignite the dust or fumes.
- ▶ **Keep children and bystanders away while operating a power tool.** Distractions can cause you to lose control.

Electrical safety

- ▶ **Power tool plugs must match the outlet. Never modify the plug in any way. Do not use any adapter plugs with earthed (grounded) power tools.** Unmodified plugs and matching outlets will reduce risk of electric shock.
- ▶ **Avoid body contact with earthed or grounded surfaces, such as pipes, radiators, ranges and refrigerators.** There is an increased risk of electric shock if your body is earthed or grounded.
- ▶ **Do not expose power tools to rain or wet conditions.** Water entering a power tool will increase the risk of electric shock.
- ▶ **Do not abuse the cord. Never use the cord for carrying, pulling or unplugging the power tool. Keep cord away from heat, oil, sharp edges and moving parts.** Damaged or entangled cords increase the risk of electric shock.
- ▶ **When operating a power tool outdoors, use an extension cord suitable for outdoor use.** Use of a cord suitable for outdoor use reduces the risk of electric shock.
- ▶ **If operating a power tool in a damp location is unavoidable, use a residual current device (RCD) protected supply.** Use of an RCD reduces the risk of electric shock.

Personal safety

- ▶ **Stay alert, watch what you are doing and use common sense when operating a power tool. Do not use a power tool while you are tired or under the influence of drugs, alcohol or medication.** A moment of inattention while operating power tools may result in serious personal injury.
- ▶ **Use personal protective equipment. Always wear eye protection.** Protective equipment such as dust mask, non-skid safety shoes, hard hat, or hearing protection used for appropriate conditions will reduce personal injuries.

▶ **Prevent unintentional starting. Ensure the switch is in the off-position before connecting to power source and/or battery pack, picking up or carrying the tool.** Carrying power tools with your finger on the switch or energising power tools that have the switch on invites accidents.

▶ **Remove any adjusting key or wrench before turning the power tool on.** A wrench or a key left attached to a rotating part of the power tool may result in personal injury.

▶ **Do not overreach. Keep proper footing and balance at all times.** This enables better control of the power tool in unexpected situations.

▶ **Dress properly. Do not wear loose clothing or jewellery. Keep your hair, clothing and gloves away from moving parts.** Loose clothes, jewellery or long hair can be caught in moving parts.

▶ **If devices are provided for the connection of dust extraction and collection facilities, ensure these are connected and properly used.** Use of dust collection can reduce dust-related hazards.

Power tool use and care

▶ **Do not force the power tool. Use the correct power tool for your application.** The correct power tool will do the job better and safer at the rate for which it was designed.

▶ **Do not use the power tool if the switch does not turn it on and off.** Any power tool that cannot be controlled with the switch is dangerous and must be repaired.

▶ **Disconnect the plug from the power source and/or the battery pack from the power tool before making any adjustments, changing accessories, or storing power tools.** Such preventive safety measures reduce the risk of starting the power tool accidentally.

▶ **Store idle power tools out of the reach of children and do not allow persons unfamiliar with the power tool or these instructions to operate the power tool.** Power tools are dangerous in the hands of untrained users.

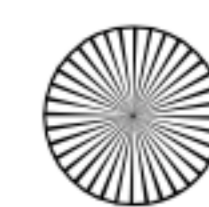
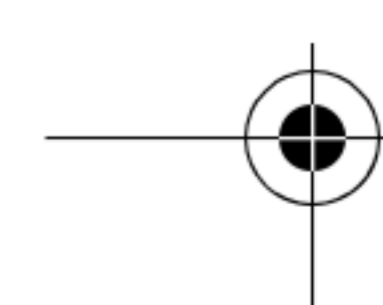
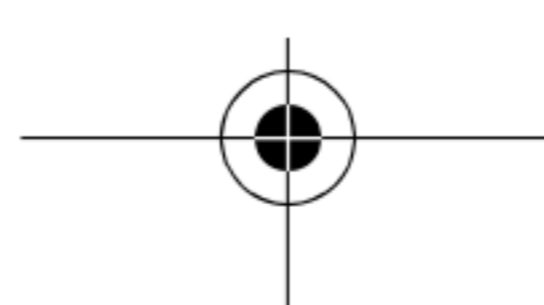
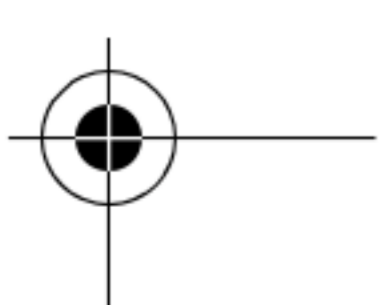
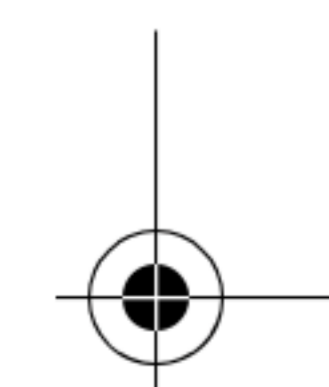
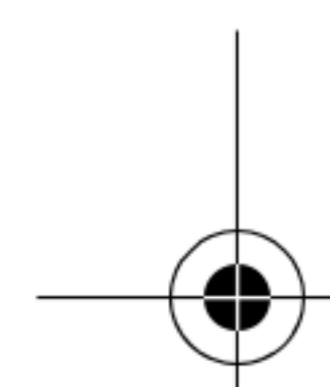
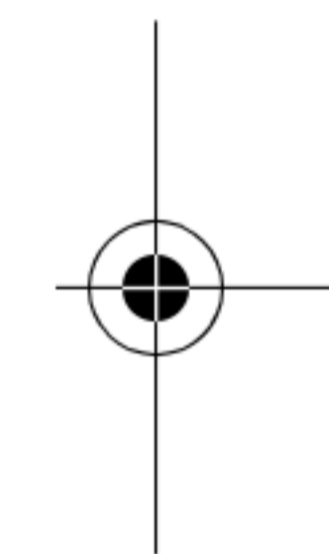
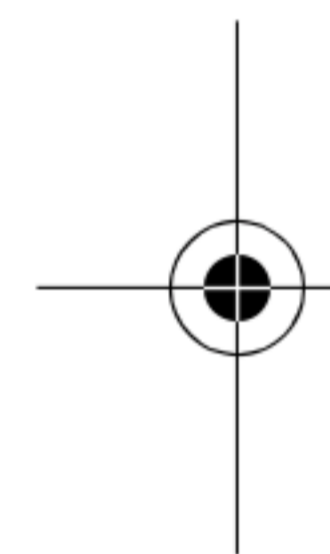
▶ **Maintain power tools. Check for misalignment or binding of moving parts, breakage of parts and any other condition that may affect the power tool's operation. If damaged, have the power tool repaired before use.** Many accidents are caused by poorly maintained power tools.

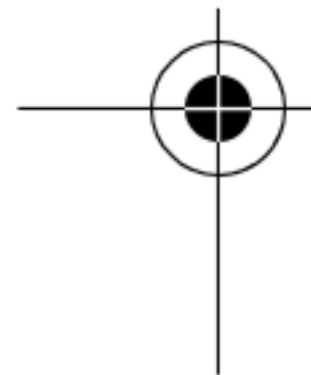
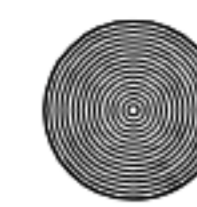
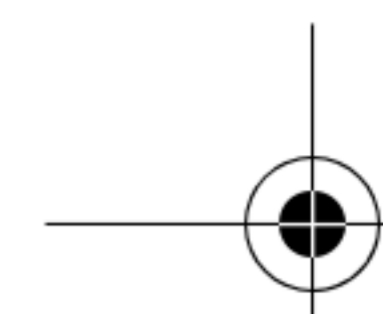
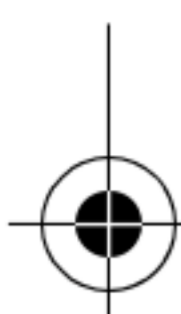
▶ **Keep cutting tools sharp and clean.** Properly maintained cutting tools with sharp cutting edges are less likely to bind and are easier to control.

▶ **Use the power tool, accessories and tool bits etc. in accordance with these instructions, taking into account the working conditions and the work to be performed.** Use of the power tool for operations different from those intended could result in a hazardous situation.

Battery tool use and care

▶ **Recharge only with the charger specified by the manufacturer.** A charger that is suitable for one type of battery pack may create a risk of fire when used with another battery pack.





- ▶ **Use power tools only with specifically designated battery packs.** Use of any other battery packs may create a risk of injury and fire.
- ▶ **When battery pack is not in use, keep it away from other metal objects, like paper clips, coins, keys, nails, screws or other small metal objects, that can make a connection from one terminal to another.** Shorting the battery terminals together may cause burns or a fire.
- ▶ **Under abusive conditions, liquid may be ejected from the battery; avoid contact. If contact accidentally occurs, flush with water. If liquid contacts eyes, additionally seek medical help.** Liquid ejected from the battery may cause irritation or burns.

Service

- ▶ **Have your power tool serviced by a qualified repair person using only identical replacement parts.** This will ensure that the safety of the power tool is maintained.

Safety Warnings for Drills and Screwdrivers

GSB 140-LI/ GSB 180-LI

- ▶ **Wear ear protectors when impact drilling.** Exposure to noise can cause hearing loss.

GSR 140-LI/ GSR 180-LI/ GSB 140-LI/ GSB 180-LI

- ▶ **Hold power tool by insulated gripping surfaces when performing an operation where the cutting accessory or fastener may contact hidden wiring.** Cutting accessory and fasteners contacting a "live" wire may make exposed metal parts of the power tool "live" and could give the operator an electric shock.
- ▶ **Use auxiliary handle(s), if supplied with the tool.** Loss of control can cause personal injury.
- ▶ **Use appropriate detectors to determine if utility lines are hidden in the work area or call the local utility company for assistance.** Contact with electric lines can lead to fire and electric shock. Damaging a gas line can lead to explosion. Penetrating a water line causes property damage.
- ▶ **Switch off the power tool immediately when the tool insert jams. Be prepared for high reaction torque that can cause kickback.** The tool insert jams when:
 - the power tool is subject to overload or
 - it becomes wedged in the workpiece.
- ▶ **Hold the machine with a firm grip.** High reaction torque can briefly occur while driving in and loosening screws.
- ▶ **Secure the workpiece.** A workpiece clamped with clamping devices or in a vice is held more secure than by hand.
- ▶ **Always wait until the machine has come to a complete stop before placing it down.** The tool insert can jam and lead to loss of control over the power tool.
- ▶ **Do not open the battery.** Danger of short-circuiting.



Protect the battery against heat, e. g., against continuous intense sunlight, fire, water, and moisture. Danger of explosion.



- ▶ **In case of damage and improper use of the battery, vapours may be emitted. Ventilate the area and seek medical help in case of complaints.** The vapours can irritate the respiratory system.
- ▶ **Use the battery only in conjunction with your Bosch power tool.** This measure alone protects the battery against dangerous overload.
- ▶ **The battery can be damaged by pointed objects such as nails or screwdrivers or by force applied externally.** An internal short circuit can occur and the battery can burn, smoke, explode or overheat.

Product Description and Specifications



Read all safety warnings and all instructions. Failure to follow the warnings and instructions may result in electric shock, fire and/or serious injury.

While reading the operating instructions, unfold the graphics page for the machine and leave it open.

Intended Use

The machine is intended for driving in and loosening screws as well as for drilling in wood, metal, ceramics and plastic. GSB machines are additionally intended for impact drilling in bricks, brickwork and masonry.

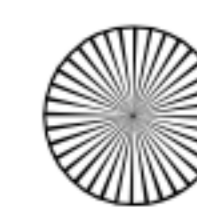
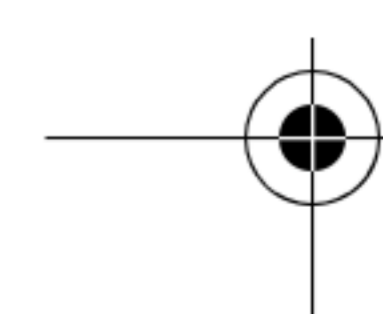
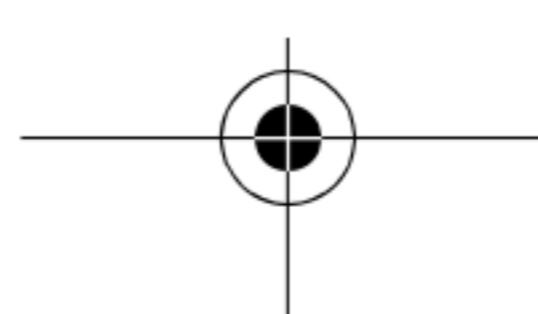
The light of this power tool is intended to illuminate the power tool's direct area of working operation and is not suitable for household room illumination.

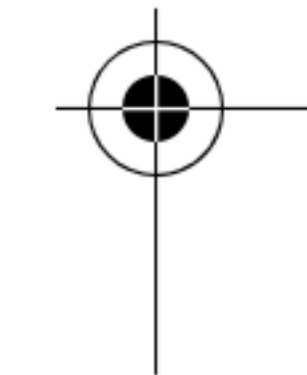
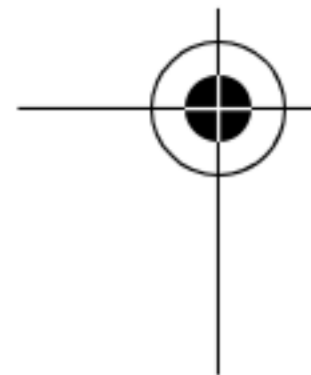
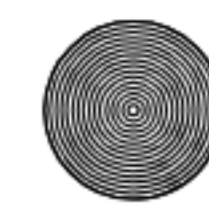
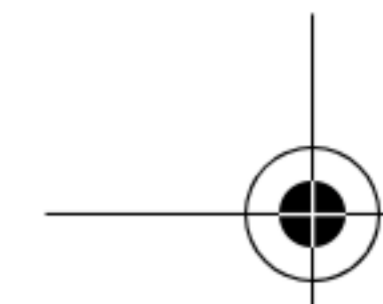
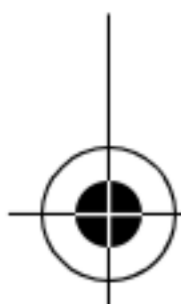
Product Features

The numbering of the product features refers to the illustration of the machine on the graphics page.

- 1 Tool holder
- 2 Keyless chuck
- 3 Torque presetting ring
- 4 Mode selector switch (GSB 140-LI, GSB 180-LI)
- 5 Gear selector
- 6 Cover lid
- 7 Battery pack
- 8 Battery unlocking button
- 9 Worklight
- 10 Rotational direction switch
- 11 On/Off switch
- 12 Handle (insulated gripping surface)
- 13 Universal bit holder*
- 14 Carbon brushes

*Accessories shown or described are not part of the standard delivery scope of the product. A complete overview of accessories can be found in our accessories program.





8 | English

Technical Data

Cordless Screwdriver		GSR 140-LI	GSR 180-LI	GSB 140-LI	GSB 180-LI
Article number		3 601 JF8 0..	3 601 JF8 1..	3 601 JF8 2..	3 601 JF8 3..
Rated voltage	V=	14.4	18	14.4	18
No-load speed					
– 1st gear	min ⁻¹	0-450	0-450	0-450	0-450
– 2nd gear	min ⁻¹	0-1700	0-1700	0-1700	0-1700
Impact rate	min ⁻¹	–	–	0-27 000	0-27 000
Max. torque for soft screw-driving application according to ISO 5393	Nm	18*	21*	18*	21*
Maximum torque, hard screw-driving application according to ISO 5393	Nm	50*	54*	50*	54*
Maximum drilling diameter (1st/2nd gear)					
– Wood	mm	32	35	32	35
– Steel	mm	10	10	10	10
– Brickwork	mm	–	–	8	10
Tool holder		1.5 - 13	1.5 - 13	1.5 - 13	1.5 - 13
Max. screw dia.	mm	8	10	8	10
Weight according to EPTA-Procedure 01:2014	kg	1.3/1.5*	1.3/1.6*	1.3/1.6*	1.3/1.6*
Permitted ambient temperature					
– during charging	°C	-15... +50	-15... +50	-15... +50	-15... +50
– during operation** and during storage	°C	-20... +50	-20... +50	-20... +50	-20... +50
Recommended batteries		GBA 14,4V..	GBA 18V.. GBA 18V... W	GBA 14,4V..	GBA 18V.. GBA 18V... W
Recommended chargers		AL 1814 CV	AL 1814 CV	AL 1814 CV	AL 1814 CV
Recommended chargers for wireless charging batteries			GAL 18... W		GAL 18... W

*depending on the battery pack being used

**limited performance at temperatures < 0 °C

Noise/Vibration Information

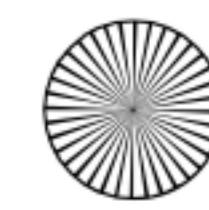
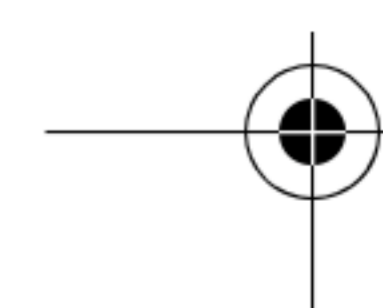
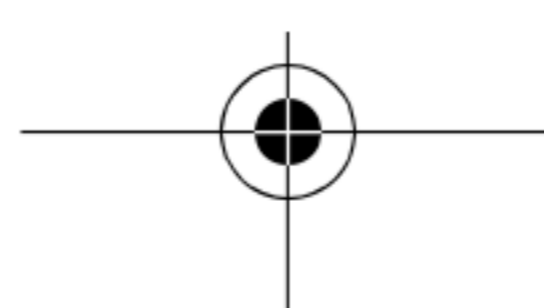
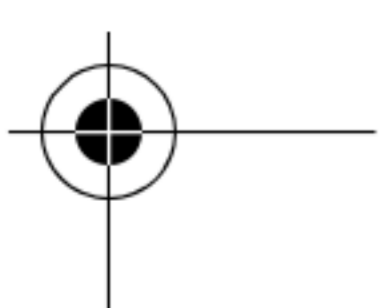
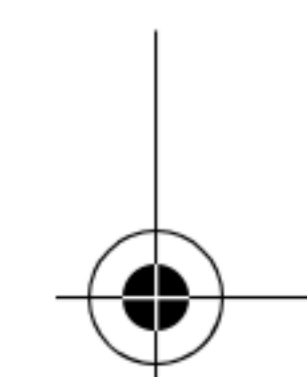
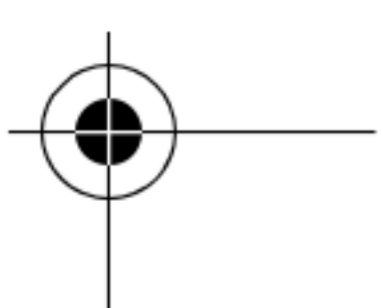
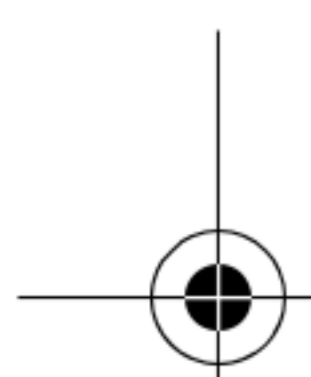
Sound emission values determined according to EN 60745-2-1, EN 60745-2-2.

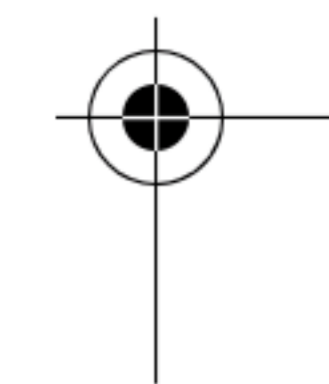
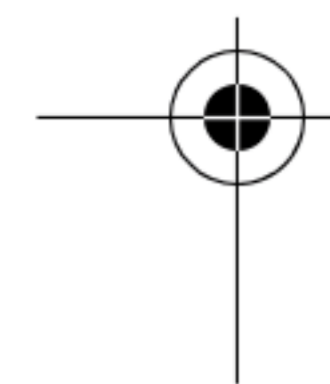
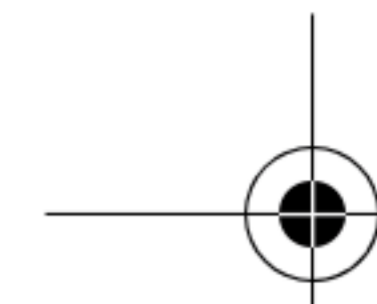
GSR 140-LI / GSB 140-LI

Typically the A-weighted noise levels of the product are: Sound pressure level 89 dB(A); Sound power level 100 dB(A). Uncertainty K = 3 dB.

Wear hearing protection!**GSR 180-LI / GSB 180-LI**

Typically the A-weighted noise levels of the product are: Sound pressure level 88 dB(A); Sound power level 99 dB(A). Uncertainty K = 3 dB.

Wear hearing protection!



English | 9

		GSR 140-LI	GSR 180-LI	GSB 140-LI	GSB 180-LI
Vibration total values a_h (triax vector sum) and uncertainty K determined according to EN 60745-2-1, EN 60745-2-2.					
Drilling in metal:					
a_h	m/s^2	<2.5	2.5	<2.5	2.5
K	m/s^2	1.5	1.5	1.5	1.5
Impact drilling in concrete:					
a_h	m/s^2	–	–	7.0	8.0
K	m/s^2	–	–	1.5	1.5
Screwdriving:					
a_h	m/s^2	<2.5	<2.5	<2.5	<2.5
K	m/s^2	1.5	1.5	1.5	1.5

The vibration level given in this information sheet has been measured in accordance with a standardised test given in EN 60745 and may be used to compare one tool with another. It may be used for a preliminary assessment of exposure. The declared vibration emission level represents the main applications of the tool. However if the tool is used for different applications, with different accessories or insertion tools or is poorly maintained, the vibration emission may differ. This may significantly increase the exposure level over the total working period.

An estimation of the level of exposure to vibration should also take into account the times when the tool is switched off or when it is running but not actually doing the job. This may significantly reduce the exposure level over the total working period.

Identify additional safety measures to protect the operator from the effects of vibration such as: maintain the tool and the accessories, keep the hands warm, organisation of work patterns.

Assembly

Battery Charging

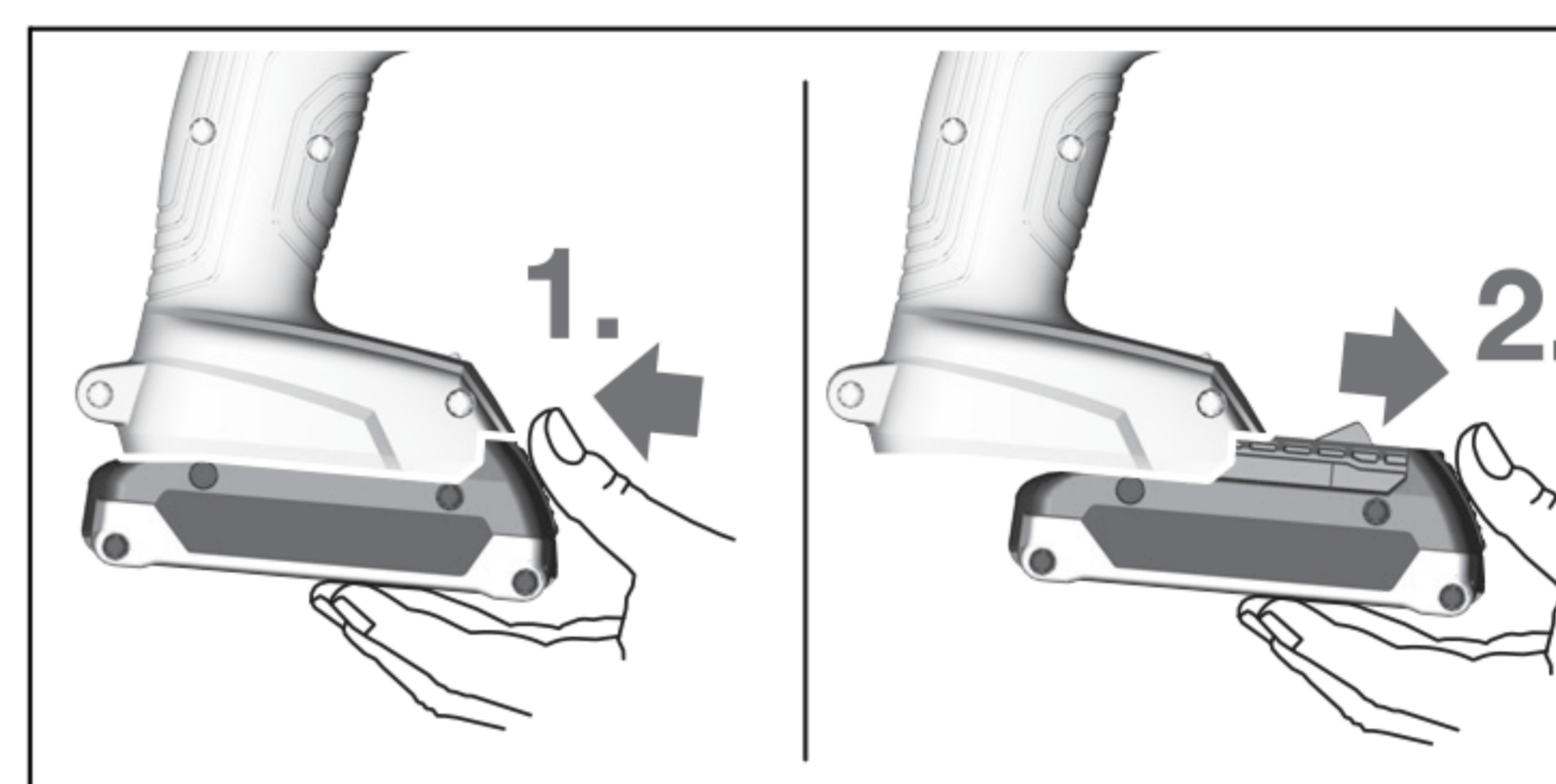
Note: The battery supplied is partially charged. To ensure full capacity of the battery, completely charge the battery in the battery charger before using your power tool for the first time. The lithium-ion battery can be charged at any time without reducing its service life. Interrupting the charging procedure does not damage the battery.

The lithium-ion battery is protected against deep discharging by the "Electronic Cell Protection (ECP)". When the battery is empty, the machine is switched off by means of a protective circuit: The inserted tool no longer rotates.

- ▶ **Do not continue to press the On/Off switch after the machine has been automatically switched off.** The battery can be damaged.

Removing the battery

The battery **7** is equipped with two locking levels that should prevent the battery from falling out when pushing the battery unlocking button **8** unintentionally. As long as the battery is inserted in the power tool, it is held in position by means of a spring.



To remove the battery **7**, press the unlocking button **8** and pull out the battery toward the front. **Do not exert any force.**

Changing the Tool (see figure A)

- ▶ **Before any work on the machine itself (e. g. maintenance, tool change, etc.) as well as during transport and storage, remove the battery from the power tool.**

There is danger of injury when unintentionally actuating the On/Off switch.

Open the keyless chuck **2** by turning in rotation direction **1**, until the tool can be inserted. Insert the tool.

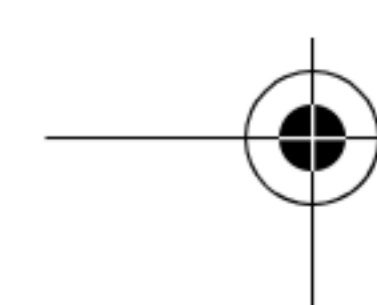
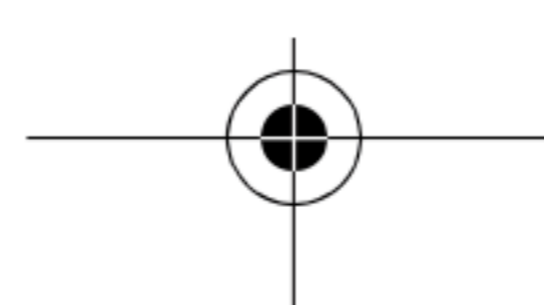
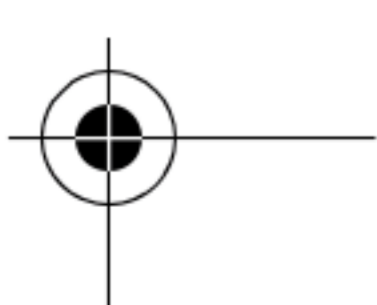
Firmly tighten the collar of the keyless chuck **2** by hand in rotation direction **2**. This automatically locks the drill chuck.

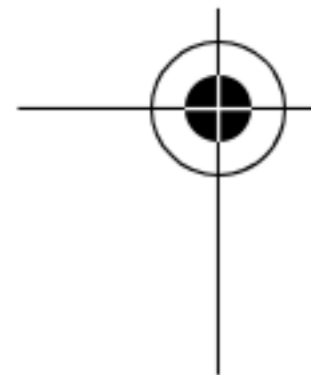
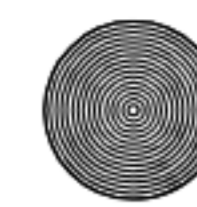
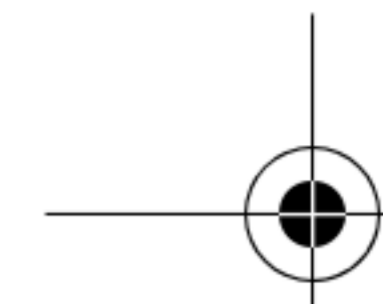
Dust/Chip Extraction

- ▶ **Dust from materials such as lead-containing coatings, some wood types, minerals and metal can be harmful to one's health and cause allergic reactions, lead to respiratory infections and/or cancer.** Materials containing asbestos may only be worked by specialists.

- Provide for good ventilation of the working place.
- It is recommended to wear a P2 filter-class respirator. Observe the relevant regulations in your country for the materials to be worked.

- ▶ **Prevent dust accumulation at the workplace.** Dust can easily ignite.





Operation

Starting Operation

Inserting the battery

Note: Use of batteries not suitable for the machine can lead to malfunctions of or cause damage to the power tool.

Set the rotational direction switch **10** to the centre position in order to avoid unintentional starting. Insert the charged battery **7** into the handle so that it can be felt to engage and faces flush against the handle.

Reversing the rotational direction (see figure B)

The rotational direction switch **10** is used to reverse the rotational direction of the machine. However, this is not possible with the On/Off switch **11** actuated.

Right Rotation: For drilling and driving in screws, push the rotational direction switch **10** left to the stop.

Left Rotation: For loosening or unscrewing screws, push the rotational direction switch **10** right to the stop.

Setting the operating mode



Drilling

GSR 140-LI, GSR 180-LI:

Set the torque selector setting ring **3** to the required torque.

GSB 140-LI, GSB 180-LI:

Set the operating mode selector switch **4** to the “drilling” symbol.



Screwdriving

GSR 140-LI, GSR 180-LI:

Set the torque selector setting ring **3** to the “screwdriving” symbol.

GSB 140-LI, GSB 180-LI:

Set the operating mode selector switch **4** to the “screwdriving” symbol.



Impact drilling (GSB 140-LI, GSB 180-LI)

Set the operating mode selector switch **4** to the “impact drilling” symbol.

Switching On and Off

To **start** the machine, press the On/Off switch **11** and keep it pressed.

The LED **9** lights up when the On/Off switch **11** is halfway or fully pressed, and enables illumination of the screwing location in unfavourable light conditions.

To save energy, only switch the power tool on when using it.

Adjusting the Speed

The speed of the switched-on power tool can be variably adjusted, depending on how far the On/Off switch **11** is pressed.

Light pressure on the On/Off switch **11** results in a low rotational speed. Further pressure on the switch results in an increase in speed.

Setting the torque

With the torque preselection ring **3**, the required torque can be preselected in 20 steps. The inserted tool is stopped as soon as the set torque is reached.

Gear selection, mechanical

► **The gear selector 5 can be actuated at standstill or when the machine is running. However, this should not be done while operating at full load or maximum speed.**

1st gear:

Low speed range; for working with large drilling diameters.

2nd gear:

High speed range; for drilling with small drilling diameter.

Temperature Dependent Overload Protection

In normal conditions of use, the power tool cannot be overloaded. If the power tool is overloaded or the battery temperature is not kept within the permitted range, the power tool switches off and the LED on the power tool flashes. Allow the power tool to cool down before you carry on working.

Protection Against Deep Discharging

The lithium-ion battery is protected against deep discharging by the “Electronic Cell Protection (ECP)”. When the battery is empty, the machine is switched off by means of a protective circuit: The inserted tool no longer rotates.

Rapid Shut-off

The rapid shut-off feature enables better control of the power tool. The power tool shuts off in case of sudden and unexpected rotation of the power tool around the drilling axis.

The rapid shut-off feature is indicated by a flashing LED on the power tool.

To **restart the machine**, release the On/Off switch and then actuate again.

► **Rapid shut-off can trigger only when the power tool is running at maximum operating speed and can rotate freely around the drill bit axis.** Choose a suitable work position for this. Otherwise, rapid shut-off will not be ensured.

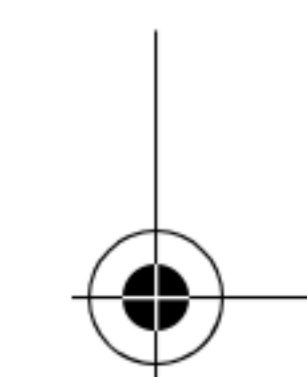
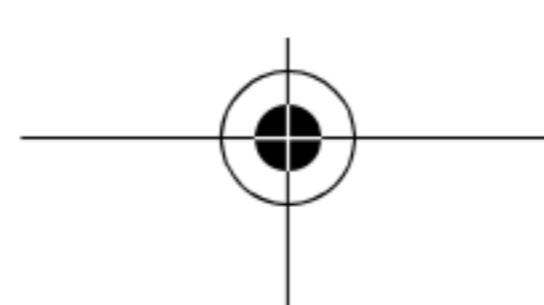
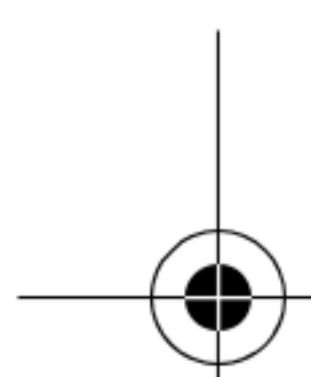
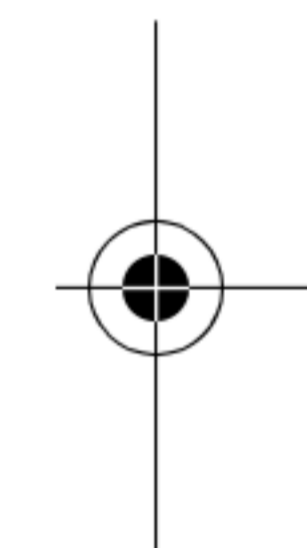
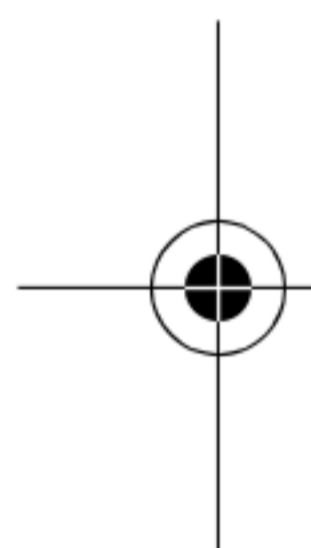
Working Advice

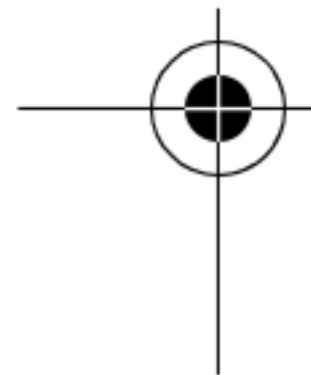
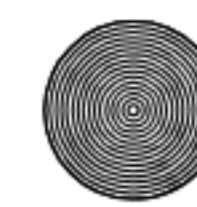
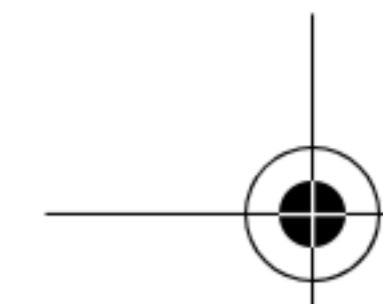
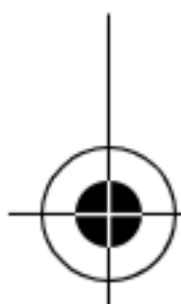
► **Always push the gear selector and turn the operating mode selector switch through to the stop.** Otherwise, the machine can become damaged.

► **Apply the power tool to the screw only when it is switched off.** Rotating tool inserts can slip off.

An auxiliary tool can be used to remove the screwdriver bit or universal bit holder.

► **Working in especially dusty environments can lead to failure of the power tool. If the power tool suddenly fails, remove the carbon brushes and check them (see section “Replacing the Carbon Brushes”).**





Maintenance and Service

Maintenance and Cleaning

- ▶ **Before any work on the machine itself (e. g. maintenance, tool change, etc.) as well as during transport and storage, remove the battery from the power tool.**

There is danger of injury when unintentionally actuating the On/Off switch.

- ▶ **For safe and proper working, always keep the machine and ventilation slots clean.**

Replacing the Carbon Brushes (see figure C)

Check the length of the carbon brushes approx. every 2 – 3 months and replace the carbon brushes if required.

Never replace only a single carbon brush!

Note: Use only carbon brushes supplied by Bosch and intended specifically for your product.

- Unscrew the caps **6** using a suitable screwdriver.
- Replace the spring-loaded carbon brushes **14** and screw the caps back on again.

When the battery is no longer operative, please refer to an authorised after-sales service agent for Bosch power tools.

After-sales Service and Application Service

Our after-sales service responds to your questions concerning maintenance and repair of your product as well as spare parts. Exploded views and information on spare parts can also be found under:

www.bosch-pt.com

Bosch's application service team will gladly answer questions concerning our products and their accessories.

In all correspondence and spare parts orders, please always include the 10-digit article number given on the nameplate of the product.

Great Britain

Robert Bosch Ltd. (B.S.C.)
P.O. Box 98
Broadwater Park
North Orbital Road
Denham
Uxbridge
UB 9 5HJ

At www.bosch-pt.co.uk you can order spare parts or arrange the collection of a product in need of servicing or repair.

Tel. Service: (0344) 7360109

E-Mail: boschservicecentre@bosch.com

Ireland

Origo Ltd.
Unit 23 Magna Drive
Magna Business Park
City West
Dublin 24
Tel. Service: (01) 4666700
Fax: (01) 4666888

Australia, New Zealand and Pacific Islands

Robert Bosch Australia Pty. Ltd.
Power Tools
Locked Bag 66
Clayton South VIC 3169
Customer Contact Center
Inside Australia:
Phone: (01300) 307044
Fax: (01300) 307045
Inside New Zealand:
Phone: (0800) 543353
Fax: (0800) 428570
Outside AU and NZ:
Phone: +61 3 95415555
www.bosch.com.au

Republic of South Africa

Customer service
Hotline: (011) 6519600

Gauteng – BSC Service Centre

35 Roper Street, New Centre
Johannesburg
Tel.: (011) 4939375
Fax: (011) 4930126
E-Mail: bsctools@icon.co.za

KZN – BSC Service Centre

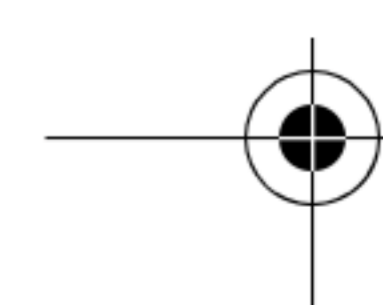
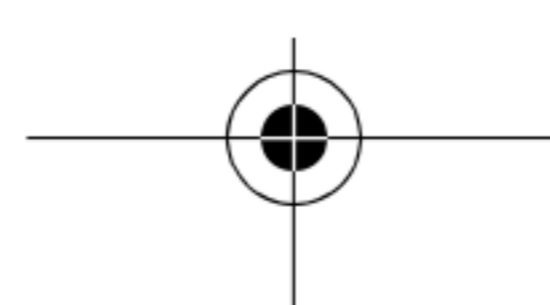
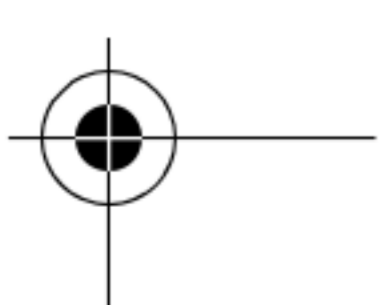
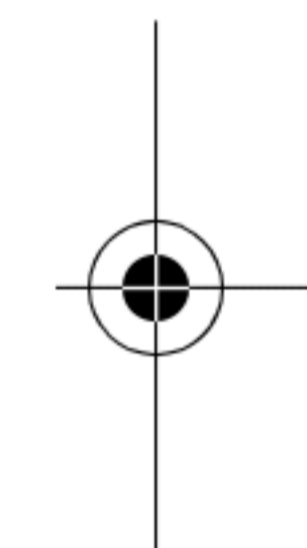
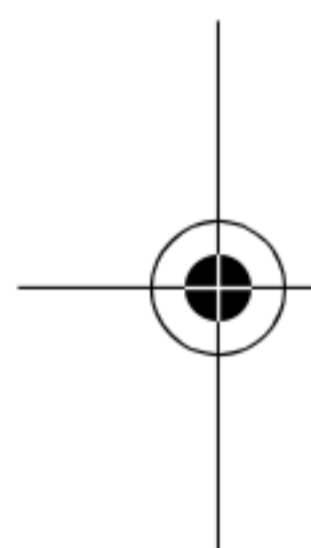
Unit E, Almar Centre
143 Crompton Street
Pinetown
Tel.: (031) 7012120
Fax: (031) 7012446
E-Mail: bsc.dur@za.bosch.com

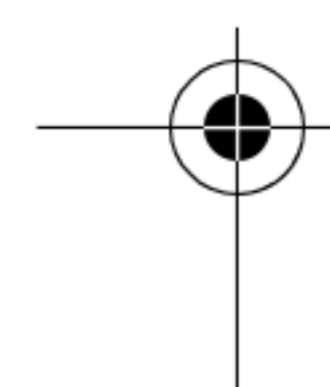
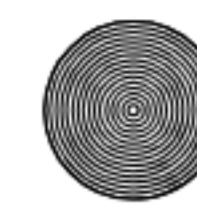
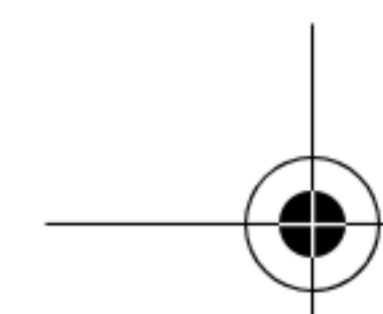
Western Cape – BSC Service Centre

Democracy Way, Prosperity Park
Milnerton
Tel.: (021) 5512577
Fax: (021) 5513223
E-Mail: bsc@zsd.co.za

Bosch Headquarters

Midrand, Gauteng
Tel.: (011) 6519600
Fax: (011) 6519880
E-Mail: rbsa-hq.pts@za.bosch.com



**12 | English****Transport**

The contained lithium-ion batteries are subject to the Dangerous Goods Legislation requirements. The user can transport the batteries by road without further requirements.

When being transported by third parties (e.g.: air transport or forwarding agency), special requirements on packaging and labelling must be observed. For preparation of the item being shipped, consulting an expert for hazardous material is required.

Dispatch batteries only when the housing is undamaged. Tape or mask off open contacts and pack up the battery in such a manner that it cannot move around in the packaging. Please also observe possibly more detailed national regulations.

Disposal

The machine, rechargeable batteries, accessories and packaging should be sorted for environmental-friendly recycling.

Do not dispose of power tools and batteries/rechargeable batteries into household waste!

Only for EC countries:

According to the European Guideline 2012/19/EU, power tools that are no longer usable, and according to the European Guideline 2006/66/EC, defective or used battery packs/batteries, must be collected separately and disposed of in an environmentally correct manner.

Batteries no longer suitable for use can be directly returned at:

Great Britain

Robert Bosch Ltd. (B.S.C.)

P.O. Box 98

Broadwater Park

North Orbital Road

Denham

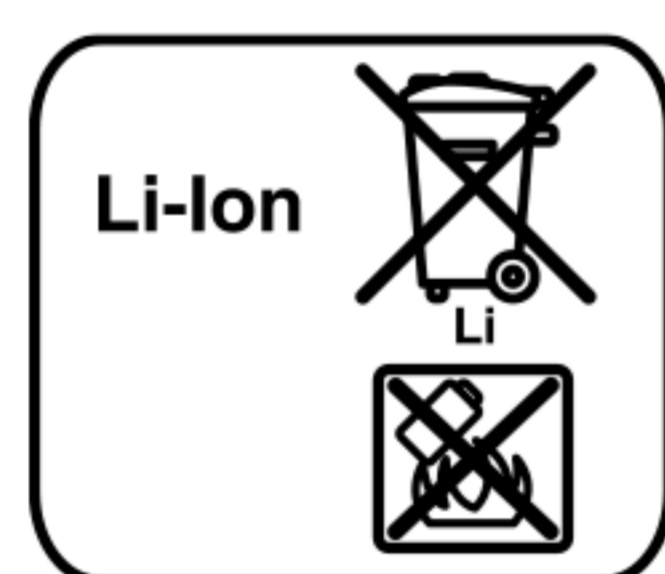
Uxbridge

UB 9 5HJ

At www.bosch-pt.co.uk you can order spare parts or arrange the collection of a product in need of servicing or repair.

Tel. Service: (0344) 7360109

E-Mail: boschservicecentre@bosch.com

Battery packs/batteries:**Li-ion:**

Please observe the instructions in section "Transport", page 12.

Subject to change without notice.

Русский

В состав эксплуатационных документов, предусмотренных изготовителем для продукции, могут входить настоящее руководство по эксплуатации, а также приложения. Информация о подтверждении соответствия содержится в приложении.

Информация о стране происхождения указана на корпусе изделия и в приложении.

Дата изготовления указана на последней странице обложки Руководства.

Контактная информация относительно импортера содержится на упаковке.

Срок службы изделия

Срок службы изделия составляет 7 лет. Не рекомендуется к эксплуатации по истечении 5 лет хранения с даты изготовления без предварительной проверки (дату изготовления см. на этикетке).

Перечень критических отказов и ошибочные действия персонала или пользователя

- не использовать с поврежденной рукояткой или поврежденным защитным кожухом
- не использовать при появлении дыма непосредственно из корпуса изделия
- не использовать с перебитым или оголенным электрическим кабелем
- не использовать на открытом пространстве во время дождя (в распыляемой воде)
- не включать при попадании воды в корпус
- не использовать при сильном искрении
- не использовать при появлении сильной вибрации

Критерии предельных состояний

- перетёрт или повреждён электрический кабель
- поврежден корпус изделия

Тип и периодичность технического обслуживания

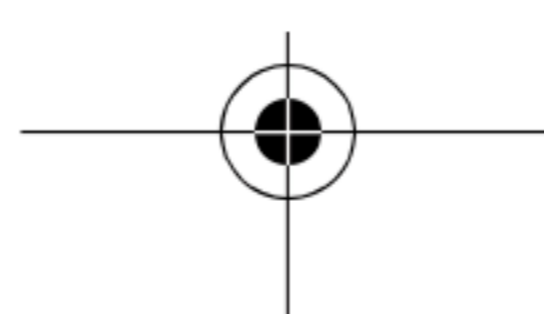
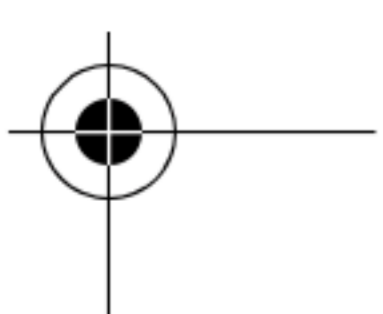
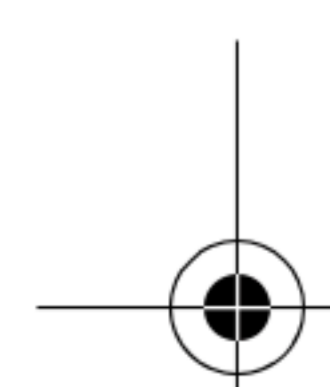
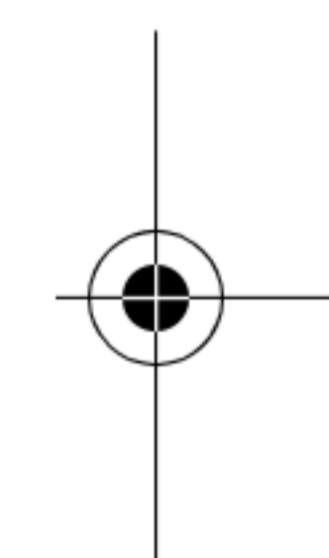
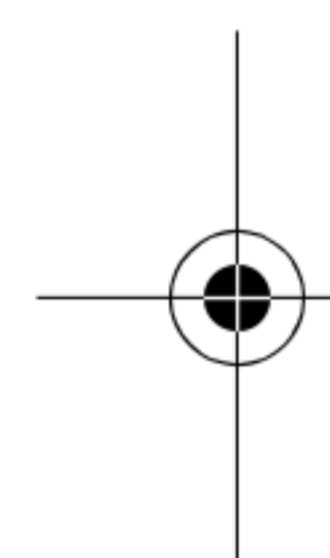
Рекомендуется очистить инструмент от пыли после каждого использования.

Хранение

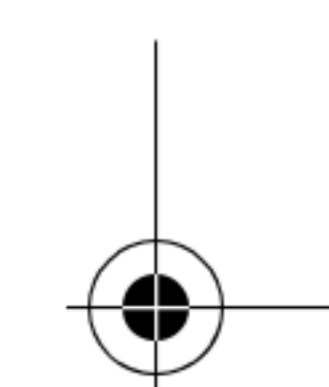
- необходимо хранить в сухом месте
- необходимо хранить вдали от источников повышенных температур и воздействия солнечных лучей
- при хранении необходимо избегать резкого перепада температур
- хранение без упаковки не допускается
- подробные требования к условиям хранения смотрите в ГОСТ 15150 (Условие 1)

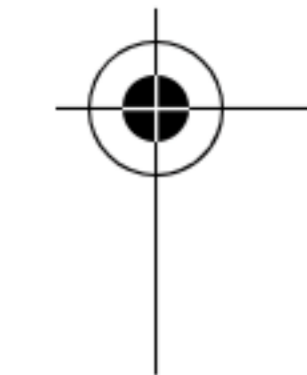
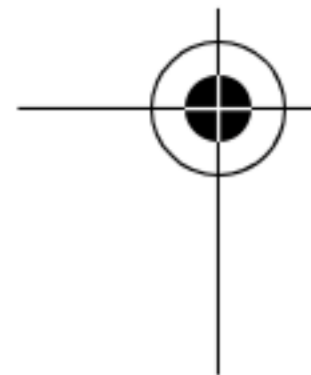
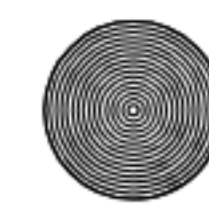
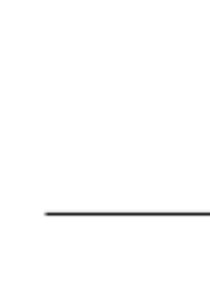
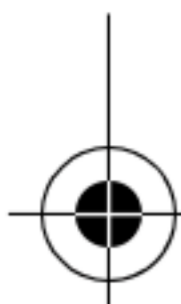
Транспортировка

- категорически не допускается падение и любые механические воздействия на упаковку при транспортировке
- при разгрузке/погрузке не допускается использование любого вида техники, работающей по принципу зажима упаковки
- подробные требования к условиям транспортировки смотрите в ГОСТ 15150 (Условие 5)



ЦИКЛЕВОЧНАЯ
КОМПАНИЯ





Указания по безопасности

Общие указания по технике безопасности для электроинструментов

⚠ ПРЕДУПРЕЖДЕНИЕ Прочтите все указания и инструкции по технике безопасности. Несоблюдение указаний и инструкций по технике безопасности может стать причиной поражения электрическим током, пожара и тяжелых травм.

Сохраняйте эти инструкции и указания для будущего использования.

Использованное в настоящих инструкциях и указаниях понятие «электроинструмент» распространяется на электроинструмент с питанием от сети (с сетевым шнуром) и на аккумуляторный электроинструмент (без сетевого шнура).

Безопасность рабочего места

- ▶ **Содержите рабочее место в чистоте и хорошо освещенным.** Беспорядок или неосвещенные участки рабочего места могут привести к несчастным случаям.
- ▶ **Не работайте с этим электроинструментом во взрывоопасном помещении, в котором находятся горючие жидкости, воспламеняющиеся газы или пыль.** Электроинструменты искрят, что может привести к воспламенению пыли или паров.
- ▶ **Во время работы с электроинструментом не допускайте близко к Вашему рабочему месту детей и посторонних лиц.** Отвлекаясь, Вы можете потерять контроль над электроинструментом.

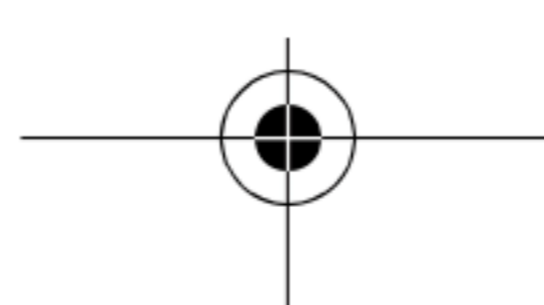
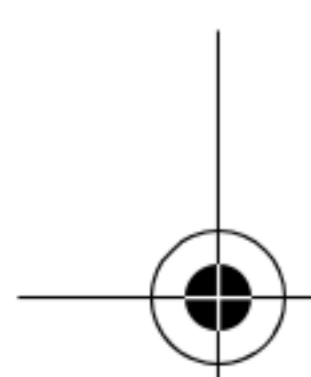
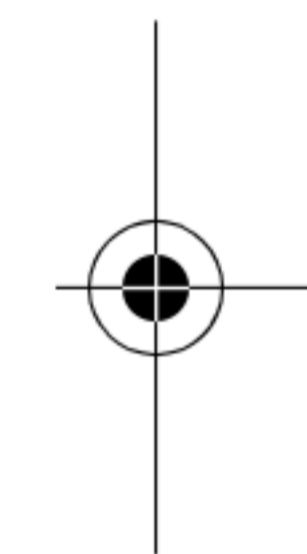
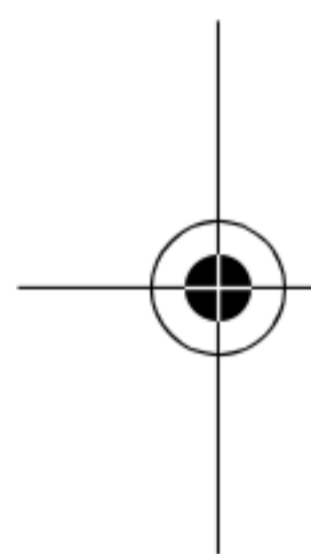
Электробезопасность

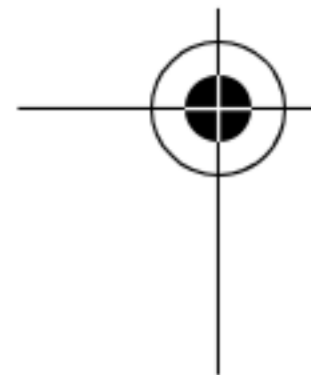
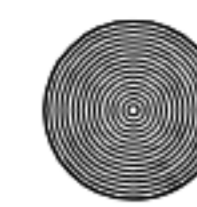
- ▶ **Штепсельная вилка электроинструмента должна подходить к штепсельной розетке. Ни в коем случае не изменяйте штепсельную вилку. Не применяйте переходные штекеры для электроинструментов с защитным заземлением.** Неизменные штепсельные вилки и подходящие штепсельные розетки снижают риск поражения электрическим током.
- ▶ **Предотвращайте телесный контакт с заземленными поверхностями, как то: с трубами, элементами отопления, кухонными плитами и холодильниками.** При заземлении Вашего тела повышается риск поражения электрическим током.
- ▶ **Защищайте электроинструмент от дождя и сырости.** Проникновение воды в электроинструмент повышает риск поражения электрическим током.
- ▶ **Не разрешается использовать шнур не по назначению, например, для транспортировки или подвески электроинструмента, или для вытягивания вилки из штепсельной розетки. Защищайте шнур от воздействия высоких температур, масла, острых кромок или подвижных частей электроинструмента.** Поврежденный или спутанный шнур повышает риск поражения электрическим током.

- ▶ **При работе с электроинструментом под открытым небом применяйте пригодные для этого кабели-удлинители.** Применение пригодного для работы под открытым небом кабеля-удлинителя снижает риск поражения электрическим током.
- ▶ **Если невозможно избежать применения электроинструмента в сыром помещении, подключайте электроинструмент через устройство защитного отключения.** Применение устройства защитного отключения снижает риск электрического поражения.

Безопасность людей

- ▶ **Будьте внимательными, следите за тем, что Вы делаете, и продуманно начинайте работу с электроинструментом. Не пользуйтесь электроинструментом в усталом состоянии или если Вы находитесь в состоянии наркотического или алкогольного опьянения или под воздействием лекарств.** Один момент невнимательности при работе с электроинструментом может привести к серьезным травмам.
- ▶ **Применяйте средства индивидуальной защиты и всегда защитные очки.** Использование средств индивидуальной защиты, как то: защитной маски, обуви на нескользящей подошве, защитного шлема или средств защиты органов слуха, – в зависимости от вида работы с электроинструментом снижает риск получения травм.
- ▶ **Предотвращайте непреднамеренное включение электроинструмента. Перед подключением электроинструмента к электропитанию и/или к аккумулятору убедитесь в выключенном состоянии электроинструмента.** Удержание пальца на выключателе при транспортировке электроинструмента и подключение к сети питания включенного электроинструмента чревато несчастными случаями.
- ▶ **Убирайте установочный инструмент или гаечные ключи до включения электроинструмента.** Инструмент или ключ, находящийся во вращающейся части электроинструмента, может привести к травмам.
- ▶ **Не принимайте неестественное положение корпуса тела. Всегда занимайте устойчивое положение и сохраняйте равновесие.** Благодаря этому Вы можете лучше контролировать электроинструмент в неожиданных ситуациях.
- ▶ **Носите подходящую рабочую одежду. Не носите широкую одежду и украшения. Держите волосы, одежду и рукавицы вдали от движущихся частей.** Широкая одежда, украшения или длинные волосы могут быть затянута вращающимися частями.
- ▶ **При наличии возможности установки пылеотсасывающих и пылесборных устройств проверяйте их присоединение и правильное использование.** Применение пылесоса может снизить опасность, создаваемую пылью.
- ▶ **ВНИМАНИЕ! В случае возникновения перебоя в работе электроинструмента вследствие полного или частичного прекращения энергоснабжения или повреждения цепи управления энергоснабжением**





14 | Русский

установите выключатель в положение **Выкл.**, убедившись, что он не заблокирован (при его наличии). Отключите сетевую вилку от розетки или отсоедините съёмный аккумулятор. Этим предотвращается неконтролируемый повторный запуск.

Применение электроинструмента и обращение с ним

- ▶ **Не перегружайте электроинструмент. Используйте для Вашей работы предназначенный для этого электроинструмент.** С подходящим электроинструментом Вы работаете лучше и надежнее в указанном диапазоне мощности.
- ▶ **Не работайте с электроинструментом при неисправном выключателе.** Электроинструмент, который не поддается включению или выключению, опасен и должен быть отремонтирован.
- ▶ **До начала наладки электроинструмента, перед заменой принадлежностей и прекращением работы отключайте штепсельную вилку от розетки сети и/или выньте аккумулятор.** Эта мера предосторожности предотвращает непреднамеренное включение электроинструмента.
- ▶ **Храните электроинструменты в недоступном для детей месте. Не разрешайте пользоваться электроинструментом лицам, которые не знакомы с ним или не читали настоящих инструкций.** Электроинструменты опасны в руках неопытных лиц.
- ▶ **Тщательно ухаживайте за электроинструментом. Проверяйте безупречную функцию и ход движущихся частей электроинструмента, отсутствие поломок или повреждений, отрицательно влияющих на функцию электроинструмента. Поврежденные части должны быть отремонтированы до использования электроинструмента.** Плохое обслуживание электроинструментов является причиной большого числа несчастных случаев.
- ▶ **Держите режущий инструмент в заточенном и чистом состоянии.** Заботливо ухоженные режущие инструменты с острыми режущими кромками режут легче и их легче вести.
- ▶ **Применяйте электроинструмент, принадлежности, рабочие инструменты и т. п. в соответствии с настоящими инструкциями. Учитывайте при этом рабочие условия и выполняемую работу.** Использование электроинструментов для непредусмотренных работ может привести к опасным ситуациям.

Применение и обслуживание аккумуляторного инструмента

- ▶ **Заряжайте аккумуляторы только в зарядных устройствах, рекомендуемых изготовителем.** Зарядное устройство, предусмотренное для определенного вида аккумуляторов, может привести к пожарной опасности при использовании его с другими аккумуляторами.
- ▶ **Применяйте в электроинструментах только предусмотренные для этого аккумуляторы.** Использование других аккумуляторов может привести к травмам и пожарной опасности.

▶ **Защищайте неиспользуемый аккумулятор от канцелярских скрепок, монет, ключей, гвоздей, винтов и других маленьких металлических предметов, которые могут закоротить полюса.** Короткое замыкание полюсов аккумулятора может привести к ожогам или пожару.

▶ **При неправильном использовании из аккумулятора может потечь жидкость. Избегайте соприкосновения с ней. При случайном контакте промойте соответствующее место водой. Если эта жидкость попадет в глаза, то дополнительно обратитесь за помощью к врачу.** Вытекающая аккумуляторная жидкость может привести к раздражению кожи или к ожогам.

Сервис

▶ **Ремонт Вашего электроинструмента поручайте только квалифицированному персоналу и только с применением оригинальных запасных частей.** Этим обеспечивается безопасность электроинструмента.

Указания по технике безопасности для электродрелей и шурупвертов

GSB 140-LI/ GSB 180-LI

▶ **При ударном сверлении одевайте наушники.** Шум может повредить слух.

GSR 140-LI/ GSR 180-LI/ GSB 140-LI/ GSB 180-LI

▶ **При выполнении работ, при которых рабочий инструмент или шуруп может задеть скрытую электропроводку, держите электроинструмент за изолированные ручки.** Контакт с находящейся под напряжением проводкой может заряжать металлические части электроинструмента и приводить к удару электрическим током.

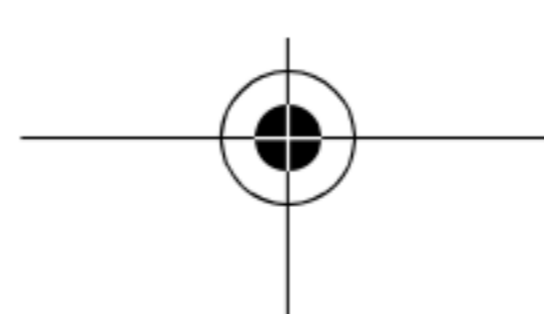
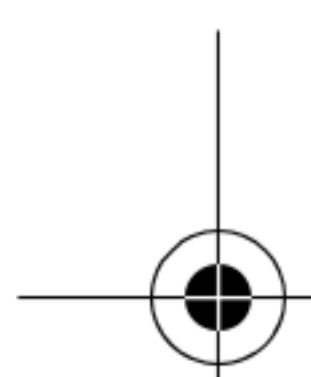
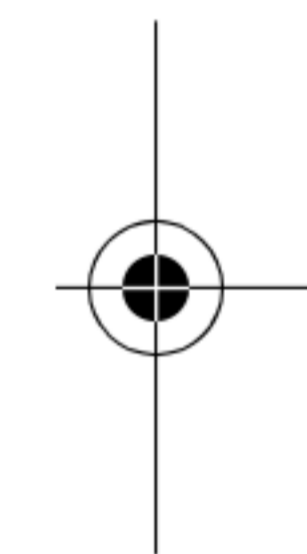
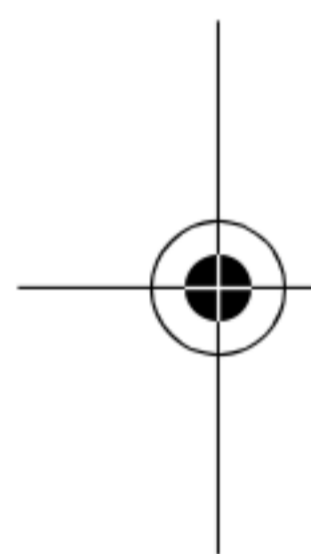
▶ **Используйте прилагающиеся к электроинструменту дополнительные рукоятки.** Потеря контроля может иметь своим следствием телесные повреждения.

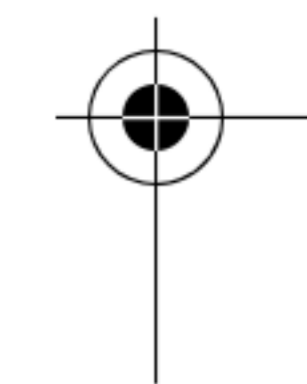
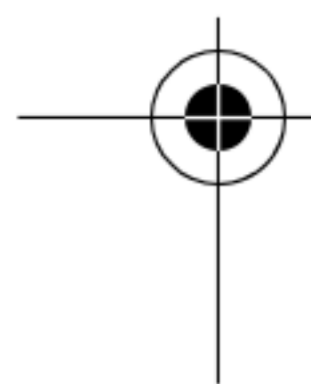
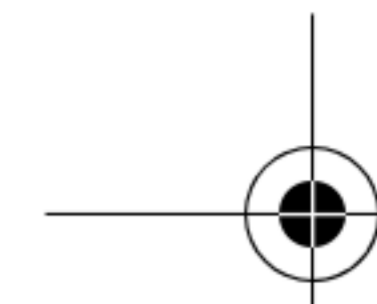
▶ **Применяйте соответствующие металлоискатели для нахождения скрытых систем электро-, газо- и водоснабжения или обращайтесь за справкой в местное предприятие коммунального снабжения.** Контакт с электропроводкой может привести к пожару и поражению электротоком. Повреждение газопровода может привести к взрыву. Повреждение водопровода ведет к нанесению материального ущерба.

▶ **При заклинивании рабочего инструмента немедленно выключайте электроинструмент. Будьте готовы к высокому реакционному моментам, которые ведут к обратному удару.** Рабочий инструмент заедает:
– при перегрузке электроинструмента или
– при перекашивании обрабатываемой детали.

▶ **Держите крепко электроинструмент в руках.** При завинчивании и отвинчивании винтов/шурупов могут кратковременно возникать высокие обратные моменты.

▶ **Закрепляйте заготовку.** Заготовка, установленная в зажимное приспособление или в тиски, удерживается более надежно, чем в Вашей руке.





► **Выждите полной остановки электроинструмента и только после этого выпускайте его из рук.** Рабочий инструмент может заесть, и это может привести к потере контроля над электроинструментом.

► **Не вскрывайте аккумулятор.** При этом возникает опасность короткого замыкания.



Защищайте аккумуляторную батарею от высоких температур, напр., от длительного нагревания на солнце, от огня, воды и влаги. Существует опасность взрыва.



► **При повреждении и ненадлежащем использовании аккумулятора может выделяться газ. Обеспечьте приток свежего воздуха и при возникновении жалоб обратитесь к врачу.** Газы могут вызвать раздражение дыхательных путей.

► **Используйте аккумулятор только совместно с Вашим электроинструментом фирмы Bosch.** Только так аккумулятор защищен от опасной перегрузки.

► **Острыми предметами, как напр., гвоздем или отверткой, а также внешним силовым воздействием можно повредить аккумуляторную батарею.** Это может привести к внутреннему короткому замыканию, возгоранию с задымлением, взрыву или перегреву аккумуляторной батареи.

Описание продукта и услуг



Прочтите все указания и инструкции по технике безопасности. Упущения в отношении указаний и инструкций по технике безопасности могут стать причиной поражения электрическим током, пожара и тяжелых травм.

Пожалуйста, откройте раскладную страницу с иллюстрациями электроинструмента и оставляйте ее открытой, пока Вы изучаете руководство по эксплуатации.

Применение по назначению

Электроинструмент предназначен для завинчивания и отвинчивания винтов, а также для сверления в древесине, металле, керамике и пластмассе. Кроме того, GSB предназначен также для ударного сверления в кирпиче, каменной кладке и камне.

Лампочка на электроинструменте предназначена для подсветки непосредственной зоны работы, она не пригодна для освещения помещения в доме.

Изображенные составные части

Нумерация представленных компонентов выполнена по изображению на странице с иллюстрациями.

- 1 Патрон
- 2 Быстрозажимной сверлильный патрон
- 3 Установочное кольцо крутящего момента
- 4 Переключатель режимов (GSB 140-LI, GSB 180-LI)
- 5 Переключатель передач
- 6 Крышка
- 7 Аккумулятор
- 8 Кнопка разблокировки аккумулятора
- 9 Подсветка
- 10 Переключатель направления вращения
- 11 Выключатель
- 12 Рукоятка (с изолированной поверхностью)
- 13 Универсальный держатель бит-насадок*
- 14 Угольные щетки

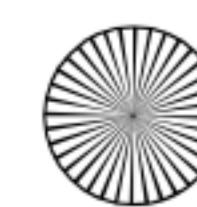
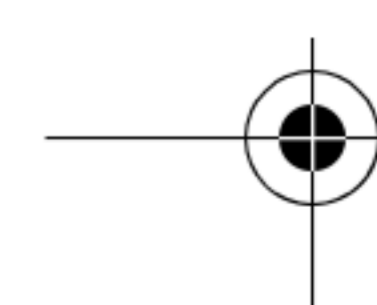
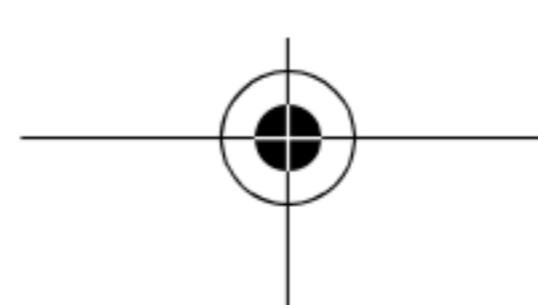
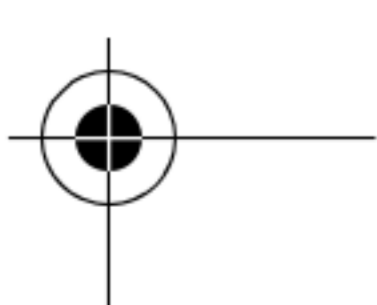
*Изображенные или описанные принадлежности не входят в стандартный объем поставки. Полный ассортимент принадлежностей Вы найдете в нашей программе принадлежностей.

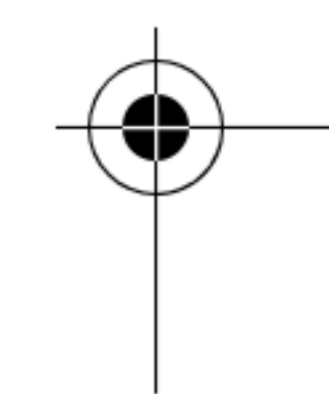
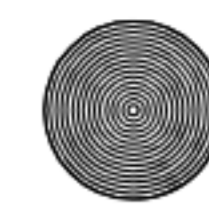
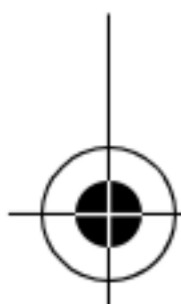
Технические данные

Аккумуляторный шуруповерт		GSR 140-LI	GSR 180-LI	GSB 140-LI	GSB 180-LI
Товарный №		3 601 JF8 0..	3 601 JF8 1..	3 601 JF8 2..	3 601 JF8 3..
Номинальное напряжение	V=	14,4	18	14,4	18
Число оборотов холостого хода					
– 1-я передача	мин ⁻¹	0-450	0-450	0-450	0-450
– 2-я передача	мин ⁻¹	0-1700	0-1700	0-1700	0-1700
Число ударов	мин ⁻¹	–	–	0-27 000	0-27 000
Макс. крутящий момент при закручивании в мягкие материалы в соответствии с ISO 5393	Нм	18*	21*	18*	21*

*в зависимости от используемой аккумуляторной батареи

** ограниченная мощность при температуре < 0 °C





16 | Русский

Аккумуляторный шуруповерт		GSR 140-LI	GSR 180-LI	GSB 140-LI	GSB 180-LI
Макс. крутящий момент при работе в жестких материалах по ISO 5393	Нм	50*	54*	50*	54*
Диаметр сверления, макс. (1-ая и 2-ая передачи)					
– Древесина	мм	32	35	32	35
– Сталь	мм	10	10	10	10
– Кирпичная кладка	мм	–	–	8	10
Патрон		1,5 - 13	1,5 - 13	1,5 - 13	1,5 - 13
Диаметр винтов, макс.	мм	8	10	8	10
Вес согласно ЕРТА-Procedure 01:2014	кг	1,3/1,5*	1,3/1,6*	1,3/1,6*	1,3/1,6*
Допустимая температура внешней среды					
– во время зарядки	°C	-15... +50	-15... +50	-15... +50	-15... +50
– при эксплуатации** и хранении	°C	-20... +50	-20... +50	-20... +50	-20... +50
Рекомендуемые аккумуляторы		GBA 14,4V..	GBA 18V.. GBA 18V... W	GBA 14,4V..	GBA 18V.. GBA 18V... W
Рекомендуемые зарядные устройства		AL 1814 CV	AL 1814 CV	AL 1814 CV	AL 1814 CV
Рекомендуемые зарядные устройства для индуктивных аккумуляторных батарей			GAL 18... W		GAL 18... W

*в зависимости от используемой аккумуляторной батареи

** ограниченная мощность при температуре < 0 °C

Данные по шуму и вибрации

Значения звуковой эмиссии определены в соответствии с EN 60745-2-1, EN 60745-2-2.

GSR 140-LI / GSB 140-LI

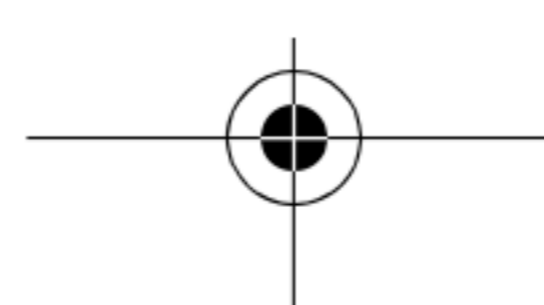
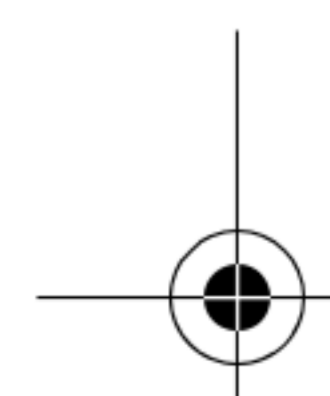
А-взвешенный уровень шума от электроинструмента составляет обычно: уровень звукового давления 89 дБ(А); уровень звуковой мощности 100 дБ(А). Недостоверность К = 3 дБ.

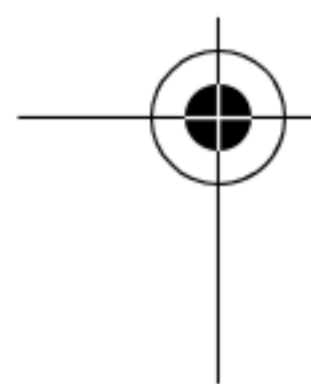
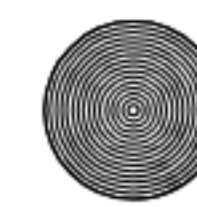
Применяйте средства защиты органов слуха!**GSR 180-LI / GSB 180-LI**

А-взвешенный уровень шума от электроинструмента составляет обычно: уровень звукового давления 88 дБ(А); уровень звуковой мощности 99 дБ(А). Недостоверность К = 3 дБ.

Применяйте средства защиты органов слуха!

		GSR 140-LI	GSR 180-LI	GSB 140-LI	GSB 180-LI
Суммарная вибрация a_h (векторная сумма трех направлений) и погрешность К определены в соответствии с EN 60745-2-1, EN 60745-2-2.					
Сверление металла:					
a_h	м/с ²	<2,5	2,5	<2,5	2,5
К	м/с ²	1,5	1,5	1,5	1,5
Ударное сверление бетона:					
a_h	м/с ²	–	–	7,0	8,0
К	м/с ²	–	–	1,5	1,5
Винты:					
a_h	м/с ²	<2,5	<2,5	<2,5	<2,5
К	м/с ²	1,5	1,5	1,5	1,5





Указанный в этих инструкциях уровень вибрации определен в соответствии со стандартизированной методикой измерений, прописанной в EN 60745, и может использоваться для сравнения электроинструментов. Он пригоден также для предварительной оценки вибрационной нагрузки.

Уровень вибрации указан для основных видов работы с электроинструментом. Однако если электроинструмент будет использован для выполнения других работ, с различными принадлежностями, с применением сменных рабочих инструментов, не предусмотренных изготовителем, или техническое обслуживание не будет отвечать предписаниям, то уровень вибрации может быть иным. Это может значительно повысить вибрационную нагрузку в течение всей продолжительности работы.

Для точной оценки вибрационной нагрузки в течение определенного временного интервала нужно учитывать также и время, когда инструмент выключен или, хотя и включен, но не находится в работе. Это может значительно сократить нагрузку от вибрации в расчете на полное рабочее время.

Предусмотрите дополнительные меры безопасности для защиты оператора от воздействия вибрации, например: техническое обслуживание электроинструмента и рабочих инструментов, меры по поддержанию рук в тепле, организация технологических процессов.

Сборка

Зарядка аккумулятора

Указание: Аккумулятор поставляется не полностью заряженным. Для обеспечения полной мощности аккумулятора зарядите его полностью перед первым применением.

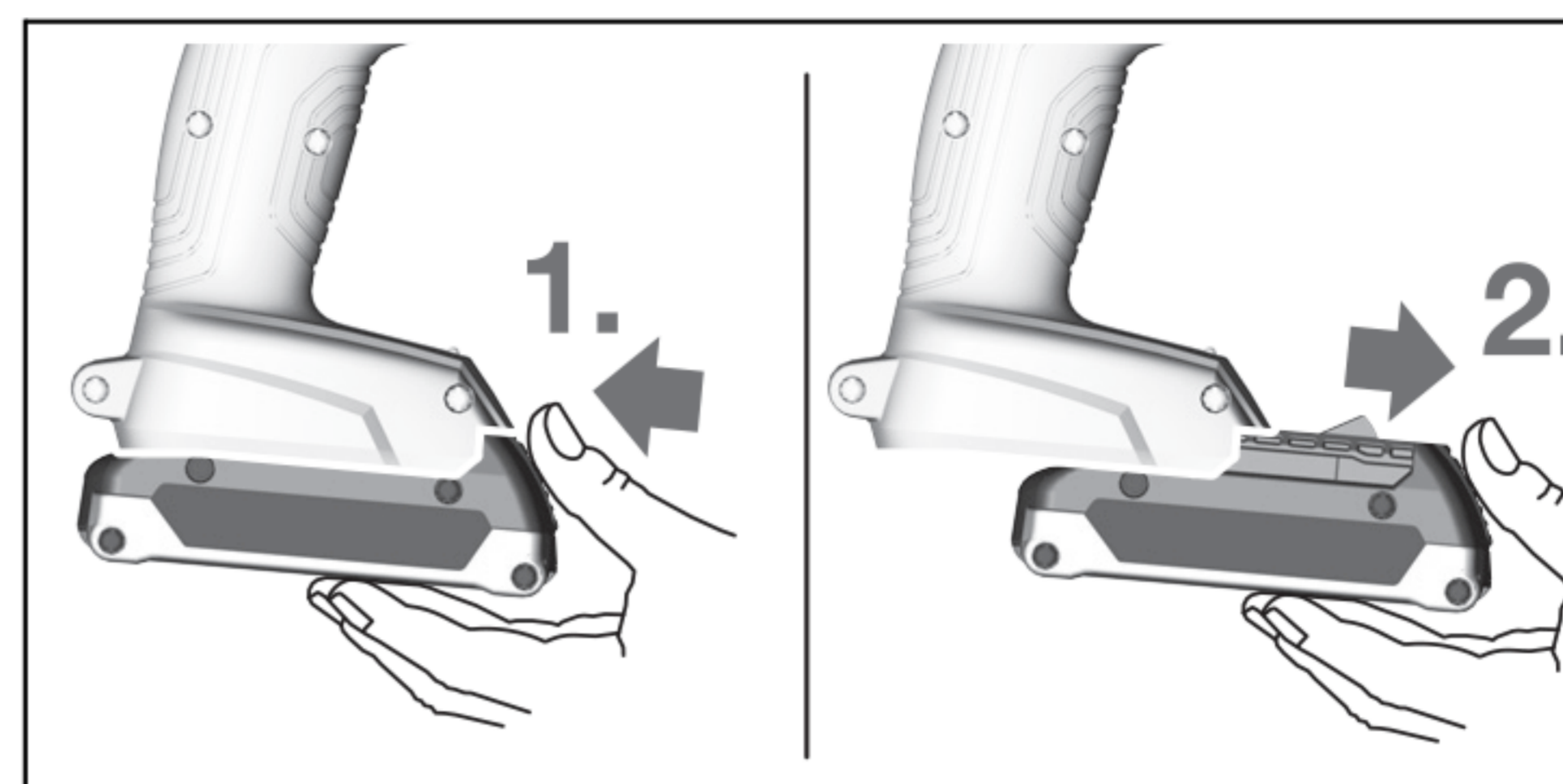
Литий-ионный аккумулятор может быть заряжен в любое время без сокращения срока службы. Прекращение процесса зарядки не наносит вреда аккумулятору.

Электронная система «Electronic Cell Protection (ECP)» защищает литиево-ионный аккумулятор от глубокой разрядки. Защитная схема выключает электроинструмент при разряженном аккумуляторе – рабочий инструмент оставивается.

- ▶ **После автоматического выключения электроинструмента не нажимайте больше на выключатель.** Аккумулятор может быть поврежден.

Извлечение аккумулятора

Аккумулятор **7** оснащен двумя ступенями фиксирования, призванными предотвращать выпадение аккумулятора при непреднамеренном нажатии на кнопку разблокировки **8**. Пока аккумулятор находится в электроинструменте, пружина держит его в соответствующем положении.



Для изъятия аккумулятора **7** нажмите кнопку разблокировки **8** и вытяните аккумулятор вперед из электроинструмента. **Не применяйте при этом силы.**

Замена рабочего инструмента (см. рис. А)

- ▶ **До начала работ по техобслуживанию, смене инструмента и т. д., а также при транспортировке и хранении вынимайте аккумулятор из электроинструмента.** При непреднамеренном включении возникает опасность травмирования.

Раскройте быстрозажимной патрон **2** вращением в направлении **1** настолько, чтобы можно было вставить инструмент.

Поверните гильзу быстрозажимного сверлильного патрона **2** рукой с усилием в направлении **2**. Сверлильный патрон автоматически блокируется.

Отсос пыли и стружки

- ▶ **Пыль таких материалов, как, напр., свинцовосодержащие лакокрасочные покрытия, некоторые виды древесины, минералов и металла, может нанести вред Вашему здоровью и вызвать аллергические реакции, заболевания дыхательных путей и/или рак.** Поручайте обработку содержащего асбест материала только специалистам.

- Хорошо проветривайте рабочее место.
- Рекомендуется пользоваться респираторной маской с фильтром класса P2.

Соблюдайте действующие в Вашей стране предписания для обрабатываемых материалов.

- ▶ **Избегайте скопления пыли на рабочем месте.** Пыль может легко воспламениться.

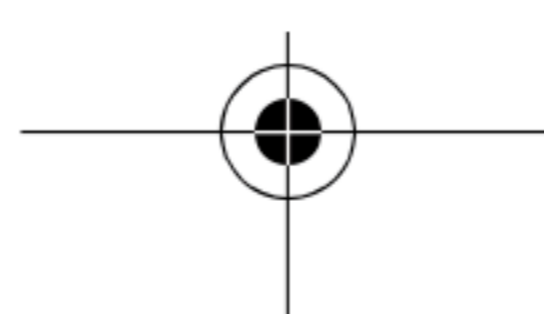
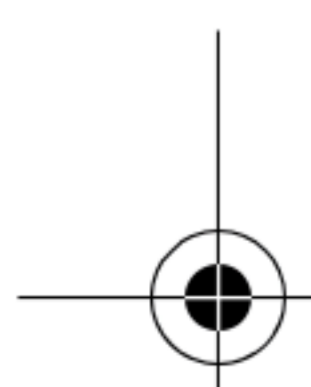
Работа с инструментом

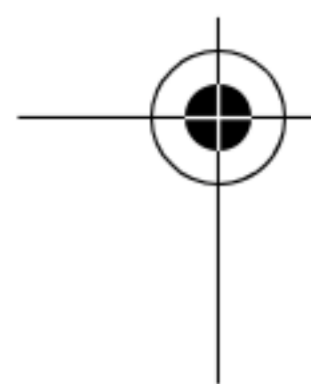
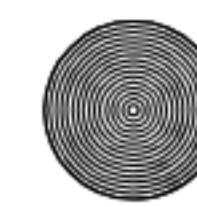
Включение электроинструмента

Установка аккумулятора

Указание: Применение непригодных для Вашего электроинструмента аккумуляторов может привести к сбоям функции или к повреждению электроинструмента.

Установите переключатель направления вращения **10** в среднее положение, чтобы предотвратить непреднамеренное включение. Вставьте заряженный аккумулятор **7** в рукоятку, чтобы он сел заподлицо и отчетливо вошел в зацепление.



**18 | Русский****Установка направления вращения (см. рис. В)**

Выключателем направления вращения **10** можно изменить направление вращения патрона. При вжатом выключателе **11** это, однако, невозможно.

Правое направление вращения: Для сверления и закручивания винтов/шурупов прижмите переключатель направления вращения **10** влево до упора.

Левое направление вращения: Для ослабления или выворачивания винтов/шурупов прижмите переключатель направления вращения **10** вправо до упора.

Установка режима работы**Сверление****GSR 140-LI, GSR 180-LI:**

Установите установочное кольцо крутящего момента **3** на нужный крутящий момент.

GSB 140-LI, GSB 180-LI:

Установите переключатель режимов **4** на символ «Сверление».

**Завинчивание****GSR 140-LI, GSR 180-LI:**

Установите установочное кольцо крутящего момента **3** на символ «Закручивание/откручивание винтов».

GSB 140-LI, GSB 180-LI:

Установите переключатель режимов **4** на символ «Закручивание/откручивание винтов».

**Ударное сверление (GSB 140-LI, GSB 180-LI)**

Установите переключатель режимов **4** на символ «Ударное сверление».

Включение/выключение

Для **включения** электроинструмента нажмите на выключатель **11** и держите его нажатым.

Светоизлучающий диод **9** светится при наполовину или полностью вжатом выключателе **11** и освещает место расположения винта/шурупа при недостаточном общем освещении.

В целях экономии электроэнергии включайте электроинструмент только тогда, когда Вы собираетесь работать с ним.

Установка числа оборотов

Вы можете плавно регулировать число оборотов включенного электроинструмента, изменяя для этого усилие нажатия на выключатель **11**.

При слабом нажатии на выключатель **11** электроинструмент работает с низким числом оборотов. С увеличением силы нажатия число оборотов увеличивается.

Установка крутящего момента

С помощью установочного кольца крутящего момента **3** крутящий момент можно устанавливать в 20 ступеней. После достижения установленного крутящего момента электроинструмент останавливается.

Механический выбор передачи

► **Переключатель передач 5** Вы можете приводить в действие как в состоянии покоя, так и при включенном электроинструменте. Однако, это не следует выполнять под полной нагрузкой или при максимальном числе оборотов.

1-ая передача:

низкое число оборотов; для работы со сверлами больших диаметров.

2-ая передача:

Диапазон высокого числа оборотов; для сверления с маленьким диаметром сверла.

Тепловая защита от перегрузки

При использовании электроинструмента по назначению его перегрузка невозможна. При слишком сильной нагрузке или при выходе аккумулятора за допустимый диапазон температуры электроинструмент отключается и мигает СИД на электроинструменте. Дайте электроинструменту остыть, прежде чем продолжать работать с ним.

Защита от глубокой разрядки

Электронная система «Electronic Cell Protection (ECP)» защищает литиево-ионный аккумулятор от глубокой разрядки. Защитная схема выключает электроинструмент при разряженном аккумуляторе – рабочий инструмент останавливается.

Аварийное отключение

Функция аварийного отключения обеспечивает лучший контроль над электроинструментом. При внезапном вращении электроинструмента вокруг оси сверла электроинструмент отключается.

Об аварийном отключении свидетельствует мигание светодиода на электроинструменте.

Для **повторного включения** отпустите выключатель и опять нажмите на него.

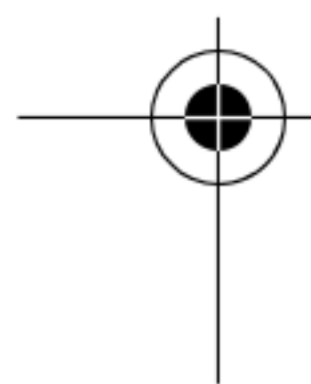
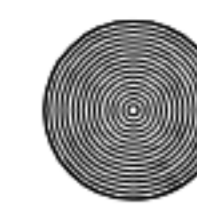
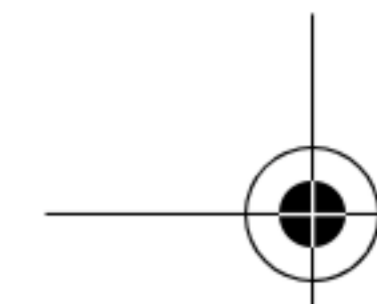
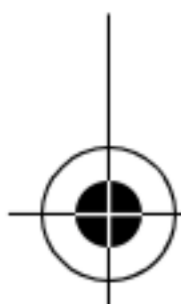
► **Быстрое отключение возможно, только когда электроинструмент работает на максимальном числе оборотов и может свободно вращаться вокруг оси сверла.** Выберите для этого подходящее рабочее положение. В противном случае быстрое отключение не гарантируется.

Указания по применению

► **Перемещайте переключатель передач/поворачивайте переключатель режимов работы всегда до упора.** Иначе возможно повреждение электроинструмента.

► **Устанавливайте электроинструмент на шуруп только в выключенном состоянии.** Вращающиеся рабочие инструменты могут соскользнуть.

Для изъятия бита-насадки или универсального держателя бит-насадок можно использовать вспомогательный инструмент.



- ▶ **Работа в особо пыльных условиях может быть чревата выходом электроинструмента из строя. Если электроинструмент вдруг вышел из строя, демонтируйте и проверьте угольные щетки (см. раздел «Смена угольных щеток»).**

Техобслуживание и сервис

Техобслуживание и очистка

- ▶ **До начала работ по техобслуживанию, смене инструмента и т. д., а также при транспортировке и хранении вынимайте аккумулятор из электроинструмента.** При непреднамеренном включении возникает опасность травмирования.
- ▶ **Для обеспечения качественной и безопасной работы следует постоянно содержать электроинструмент и вентиляционные щели в чистоте.**

Смена угольных щеток (см. рис. С)

Проверяйте каждые 2 – 3 месяца длину угольных щеток и при необходимости заменяйте их.

Никогда не меняйте только одну угольную щетку!

Указание: Применяйте только щетки от фирмы Bosch, которые предназначены для Вашего продукта.

- Отвинтите колпачки **6** подходящей отверткой.
- Замените подпружиненные угольные щетки **14** и привинтите колпачки на место.

Если аккумулятор больше не работает, то обратитесь, пожалуйста, в авторизованную сервисную мастерскую для электроинструментов фирмы Bosch.

Сервис и консультирование на предмет использования продукции

Сервисная мастерская ответит на все Ваши вопросы по ремонту и обслуживанию Вашего продукта и по запчастям. Монтажные чертежи и информацию по запчастям Вы найдете также по адресу:

www.bosch-pt.com

Коллектив сотрудников Bosch, предоставляющий консультации на предмет использования продукции, с удовольствием ответит на все Ваши вопросы относительно нашей продукции и ее принадлежностей.

Пожалуйста, во всех запросах и заказах запчастей обязательно указывайте 10-значный товарный номер по заводской табличке изделия.

Для региона: Россия, Беларусь, Казахстан, Украина

Гарантийное обслуживание и ремонт электроинструмента, с соблюдением требований и норм изготовителя производятся на территории всех стран только в фирменных или авторизованных сервисных центрах «Роберт Бош».

ПРЕДУПРЕЖДЕНИЕ! Использование контрафактной продукции опасно в эксплуатации, может привести к ущербу для Вашего здоровья. Изготовление и распространение контрафактной продукции преследуется по Закону в административном и уголовном порядке.

Россия

Уполномоченная изготовителем организация:

ООО «Роберт Бош»

Вашутинское шоссе, вл. 24

141400, г.Химки, Московская обл.

Россия

Тел.: 8 800 100 8007 (звонок по России бесплатный)

E-Mail: info.powertools@ru.bosch.com

Полную и актуальную информацию о расположении сервисных центров и приёмных пунктов Вы можете получить:

- на официальном сайте www.bosch-pt.ru
- либо по телефону справочно – сервисной службы Bosch 8 800 100 8007 (звонок по России бесплатный)

Беларусь

ИП «Роберт Бош» ООО

Сервисный центр по обслуживанию электроинструмента

ул. Тимирязева, 65А-020

220035, г. Минск

Беларусь

Тел.: +375 (17) 254 78 71

Тел.: +375 (17) 254 79 16

Факс: +375 (17) 254 78 75

E-Mail: pt-service.by@bosch.com

Официальный сайт: www.bosch-pt.by

Казахстан

Центр консультирования и приема претензий

ТОО «Роберт Бош» (Robert Bosch)

г. Алматы,

Республика Казахстан

050012

ул. Муратбаева, д.180

БЦ «Гермес», 7й этаж

Тел.: +7 (727) 331 31 00

Факс: +7 (727) 233 07 87

E-Mail: ptka@bosch.com

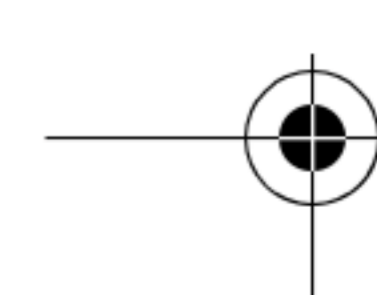
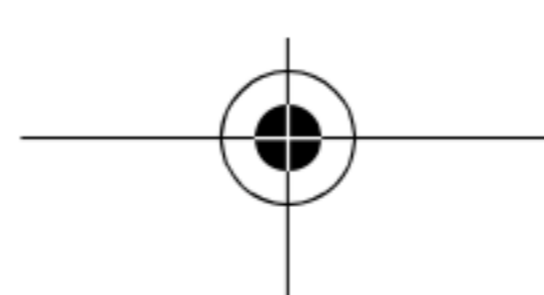
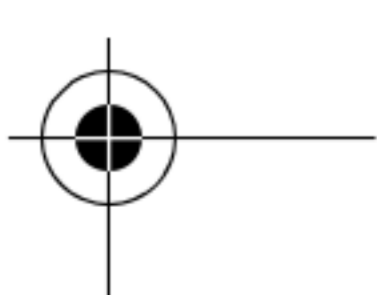
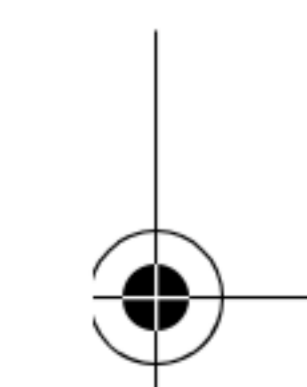
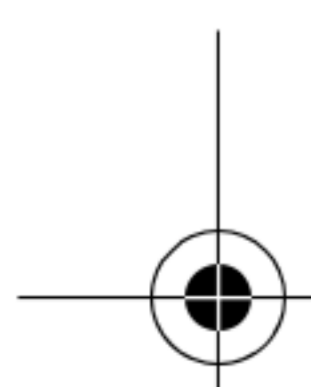
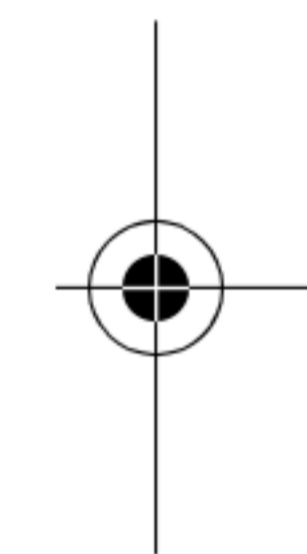
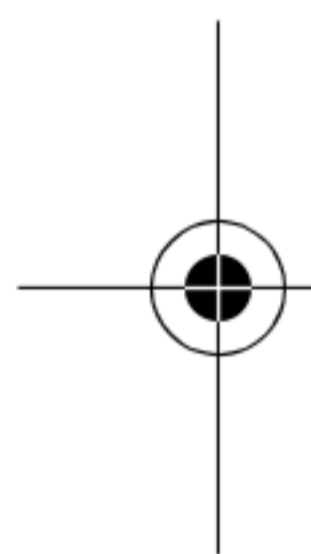
Полную и актуальную информацию о расположении сервисных центров и приемных пунктов Вы можете получить на официальном сайте:

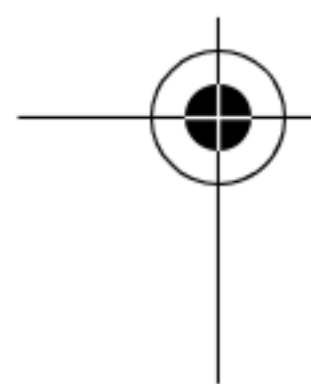
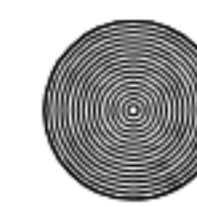
www.bosch-professional.kz

Транспортировка

На вложенные литиево-ионные аккумуляторные батареи распространяются требования в отношении транспортировки опасных грузов. Аккумуляторные батареи могут перевозиться самим пользователем автомобильным транспортом без необходимости соблюдения дополнительных норм.

При перевозке с привлечением третьих лиц (напр.: самолетом или транспортным экспедитором) необходимо соблюдать особые требования к упаковке и маркировке. В этом случае при подготовке груза к отправке необходимо участие эксперта по опасным грузам.



**20** | Українська

Отправляйте аккумуляторную батарею только с неповрежденным корпусом. Заклейте открытые контакты и упакуйте аккумуляторную батарею так, чтобы она не перемещалась внутри упаковки.

Пожалуйста, соблюдайте также возможные дополнительные национальные предписания.

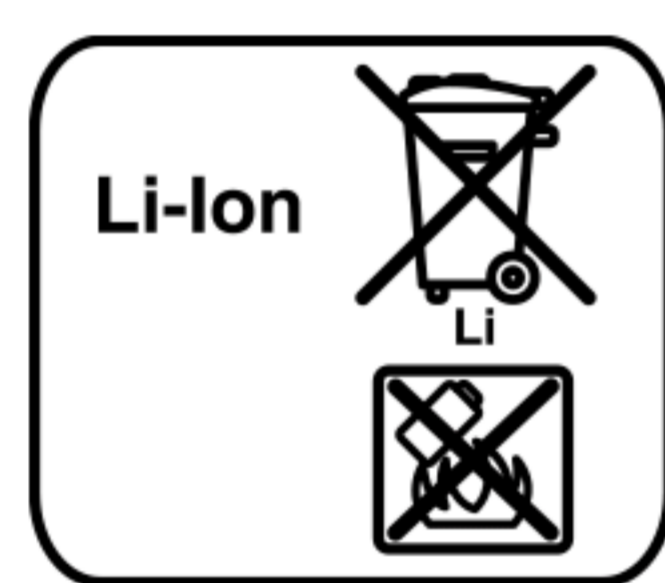
Утилизация

Электроинструменты, аккумуляторные батареи, принадлежности и упаковку нужно сдавать на экологически чистую рекуперацию.

Не выбрасывайте электроинструменты и аккумуляторные батареи/батарейки в бытовой мусор!

Только для стран-членов ЕС:

В соответствии с европейской директивой 2012/19/EU отслужившие электроинструменты и в соответствии с европейской директивой 2006/66/ЕС поврежденные либо использованные аккумуляторы/батарейки нужно собирать отдельно и сдавать на экологически чистую рекуперацию.

Аккумуляторы, батареи:**Li-Ion:**

Пожалуйста, учитывайте указание в разделе «Транспортировка», стр. 19.

Возможны изменения.

Українська**Вказівки з техніки безпеки****Загальні застереження для електроприладів**

⚠ ПОПЕРЕДЖЕННЯ Прочитайте всі застереження і вказівки. Недотримання застережень і вказівок може призвести до ураження електричним струмом, пожежі та/або серйозних травм.

Добре зберігайте на майбутнє ці попередження і вказівки.

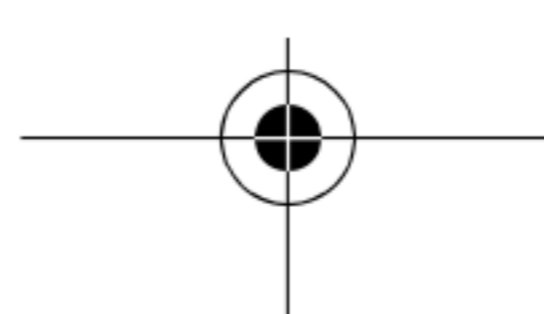
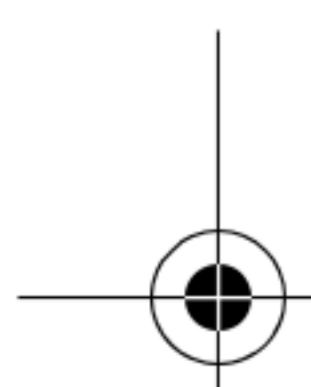
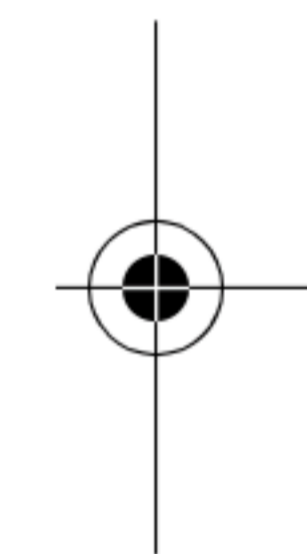
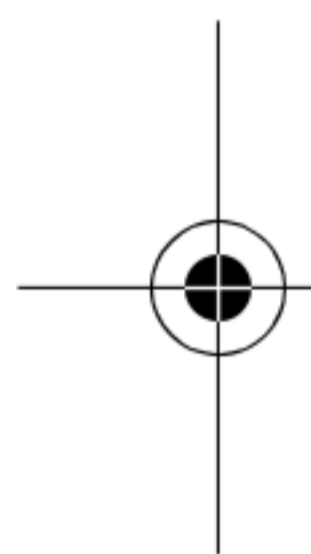
Під поняттям «електроприлад» в цих застереженнях мається на увазі електроприлад, що працює від мережі (з електрокабелем) або від акумуляторної батареї (без електрокабелю).

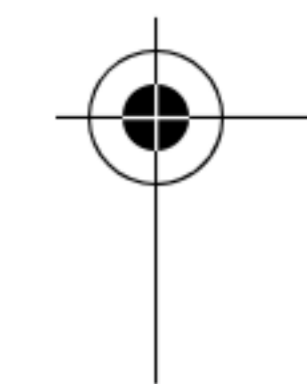
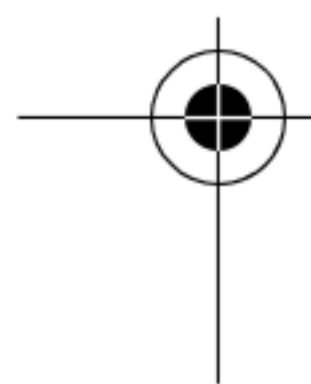
Безпека на робочому місці

- ▶ **Тримайте своє робоче місце в чистоті і забезпечте добре освітлення робочого місця.** Безлад або погане освітлення на робочому місці можуть призвести до нещасних випадків.
- ▶ **Не працюйте з електроприладом у середовищі, де існує небезпека вибуху внаслідок присутності горючих рідин, газів або пилу.** Електроприлади можуть породжувати іскри, від яких може займатися пил або пари.
- ▶ **Під час праці з електроприладом не підпускайте до робочого місця дітей та інших людей.** Ви можете втратити контроль над приладом, якщо Ваша увага буде відвернута.

Електрична безпека

- ▶ **Штепсель електроприладу повинен підходити до розетки. Не дозволяється міняти щось в штепселі. Для роботи з електроприладами, що мають захисне заземлення, не використовуйте адаптери.** Використання оригінального штепселя та належної розетки зменшує ризик ураження електричним струмом.
- ▶ **Уникайте контакту частин тіла із заземленими поверхнями, як напр., трубами, батареями опалення, плитами та холодильниками.** Коли Ваше тіло заземлене, існує збільшена небезпека ураження електричним струмом.
- ▶ **Захищайте прилад від дощу і вологи.** Попадання води в електроприлад збільшує ризик ураження електричним струмом.
- ▶ **Не використовуйте кабель для перенесення електроприладу, підвішування або витягування штепселя з розетки. Захищайте кабель від тепла, олії, гострих країв та деталей приладу, що рухаються.** Пошкоджений або закручений кабель збільшує ризик ураження електричним струмом.
- ▶ **Для зовнішніх робіт обов'язково використовуйте лише такий подовжувач, що придатний для зовнішніх робіт.** Використання подовжувача, що розрахований на зовнішні роботи, зменшує ризик ураження електричним струмом.

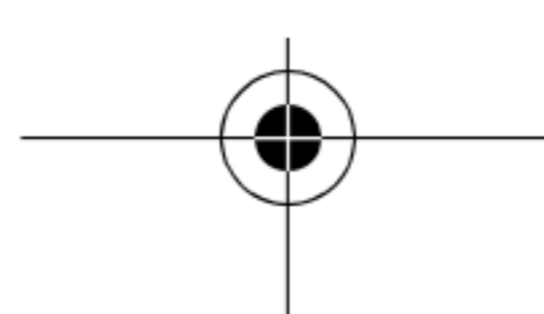
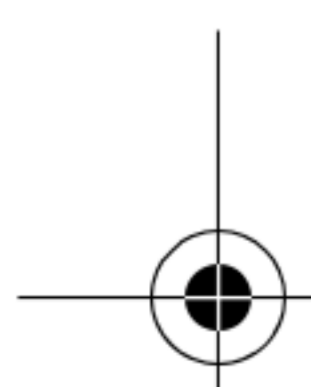
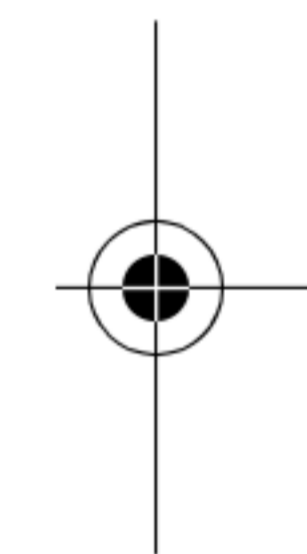
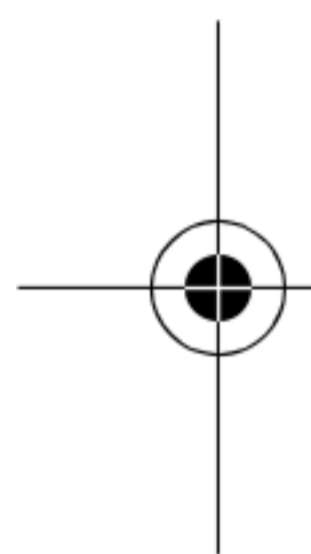


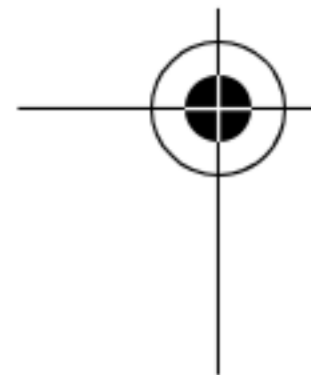
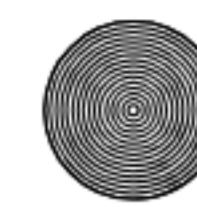


- ▶ **Якщо не можна запобігти використанню електроприладу у вологому середовищі, використовуйте пристрій захисного вимкнення.** Використання пристрою захисного вимкнення зменшує ризик ураження електричним струмом.

Безпека людей

- ▶ **Будьте уважними, слідкуйте за тим, що Ви робите, та розсудливо поведіться під час роботи з електроприладом. Не користуйтеся електроприладом, якщо Ви стомлені або знаходитесь під дією наркотиків, спиртних напоїв або ліків.** Мить неуважності при користуванні електроприладом може призвести до серйозних травм.
 - ▶ **Вдягайте особисте захисне спорядження та обов'язково вдягайте захисні окуляри.** Вдягання особистого захисного спорядження, як напр., – в залежності від виду робіт – захисної маски, спецвзуття, що не ковзається, каски та навушників, зменшує ризик травм.
 - ▶ **Уникайте випадкового вмикання. Перш ніж ввімкнути електроприлад в електромережу або під'єднати акумуляторну батарею, брати його в руки або переносити, впевніться в тому, що електроприлад вимкнений.** Тримання пальця на вимикачі під час перенесення електроприладу або підключення в розетку увімкненого приладу може призвести до травм.
 - ▶ **Перед тим, як вмикати електроприлад, приберіть налагоджувальні інструменти та гайковий ключ.** Перебування налагоджувального інструмента або ключа в частині приладу, що обертається, може призвести до травм.
 - ▶ **Уникайте неприродного положення тіла. Зберігайте стійке положення та завжди зберігайте рівновагу.** Це дозволить Вам краще зберігати контроль над електроприладом у несподіваних ситуаціях.
 - ▶ **Вдягайте придатний одяг. Не вдягайте просторий одяг та прикраси. Не підставляйте волосся, одяг та рукавиці до деталей приладу, що рухаються.** Просторий одяг, довге волосся та прикраси можуть потрапити в деталі, що рухаються.
 - ▶ **Якщо існує можливість монтувати пиловідсмоктувальні або пилоуловлюючі пристрої, переконайтеся, щоб вони були добре під'єднані та правильно використовувалися.** Використання пиловідсмоктувального пристрою може зменшити небезпеки, зумовлені пилом.
- #### Правильне поводження та користування електроприладами
- ▶ **Не перевантажуйте прилад. Використовуйте такий прилад, що спеціально призначений для відповідної роботи.** З придатним приладом Ви з меншим ризиком отримаєте кращі результати роботи, якщо будете працювати в зазначеному діапазоні потужності.
 - ▶ **Не користуйтеся електроприладом з пошкодженим вимикачем.** Електроприлад, який не можна увімкнути або вимкнути, є небезпечним і його треба відремонтувати.
 - ▶ **Перед тим, як регулювати що-небудь на приладі, міняти приладдя або ховати прилад, витягніть штепсель із розетки та/або витягніть акумуляторну батарею.** Ці попереджувальні заходи з техніки безпеки зменшують ризик випадкового запуску приладу.
 - ▶ **Ховайте електроприлади, якими Ви саме не користуєтесь, від дітей. Не дозволяйте користуватися електроприладом особам, що не знайомі з його роботою або не читали ці вказівки.** У разі застосування недосвідченими особами прилади несуть в собі небезпеку.
 - ▶ **Старанно доглядайте за електроприладом. Перевіряйте, щоб рухомі деталі приладу бездоганно працювали та не заїдали, не були пошкодженими або настільки пошкодженими, щоб це могло вплинути на функціонування електроприладу. Пошкоджені деталі треба відремонтувати, перш ніж користуватися ними знов.** Велика кількість нещасних випадків спричиняється поганим доглядом за електроприладами.
 - ▶ **Тримайте різальні інструменти нагостреними та в чистоті.** Старанно доглянуті різальні інструменти з гострим різальним краєм менше застряють та легші в експлуатації.
 - ▶ **Використовуйте електроприлад, приладдя до нього, робочі інструменти т. і. відповідно до цих вказівок. Беріть до уваги при цьому умови роботи та специфіку виконуваної роботи.** Використання електроприладів для робіт, для яких вони не передбачені, може призвести до небезпечних ситуацій.
- #### Правильне поводження та користування приладами, що працюють на акумуляторних батареях
- ▶ **Заряджайте акумуляторні батареї лише в заряджувальних пристроях, рекомендованих виготовлювачем.** Використання заряджувального пристрою для акумуляторних батарей, для яких він не передбачений, може призводити до пожежі.
 - ▶ **Використовуйте в електроприладах лише рекомендовані акумуляторні батареї.** Використання інших акумуляторних батарей може призводити до травм та пожежі.
 - ▶ **Не зберігайте акумуляторну батарею, якою Ви саме не користуєтесь, поряд із канцелярськими скріпками, ключами, гвіздками, гвинтами та іншими невеликими металевими предметами, які можуть спричинити перемикання контактів.** Коротке замикання між контактами акумуляторної батареї може спричинити опіки або пожежу.
 - ▶ **При неправильному використанні з акумуляторної батареї може потекти рідина. Уникайте контакту з нею. При випадковому контакті промийте відповідне місце водою. Якщо рідина потрапила в очі, додатково зверніться до лікаря.** Акумуляторна рідина може спричинити подразнення шкіри або опіки.



**Сервіс**

- ▶ **Віддавайте свій прилад на ремонт лише кваліфікованим фахівцям та лише з використанням оригінальних запчастин.** Це забезпечить безпечність приладу на довгий час.

Вказівки з техніки безпеки для електродрилів і шурупвертів**GSB 140-LI/ GSB 180-LI**

- ▶ **При ударному свердленні вдягайте навушники.** Шум може пошкодити слух.

**GSR 140-LI/ GSR 180-LI/
GSB 140-LI/ GSB 180-LI**

- ▶ **При роботах, коли робочий інструмент або гвинт може зачепити захвану електропроводку, тримайте електроінструмент за ізольовані рукоятки.** Зачеплення проводки, що знаходиться під напругою, може заряджувати також і металеві частини електроінструмента та призводити до удару електричним струмом.
- ▶ **Використовуйте додані до електроінструменту додаткові рукоятки.** Втрата контролю над електроінструментом може призводити до тілесних ушкоджень.
- ▶ **Для знаходження труб і проводки використовуйте придатні прилади або зверніться в місцеве підприємство електро-, газо- та водопостачання.** Зачеплення електропроводки може призводити до пожежі та ураження електричним струмом. Зачеплення газової труби може призводити до вибуху. Зачеплення водопровідної труби може завдати шкоду матеріальним цінностям.
- ▶ **Негайно вимкніть електроприлад, якщо робочий інструмент застряє. Будьте готові до високих реактивних моментів, що призводять до спінання.** Робочий інструмент застряє при:
 - перевантаженні електроприладу або
 - перекошенні у оброблюваній заготовці.
- ▶ **Добре тримайте електроприлад.** При закручуванні і розкручуванні гвинтів можуть коротко виникати високі реакційні моменти.
- ▶ **Закріплюйте оброблюваний матеріал.** За допомогою затискного пристрою або лещат оброблюваний матеріал фіксується надійніше ніж при триманні його в руці.
- ▶ **Перед тим, як покласти електроприлад, зачекайте, поки він не зупиниться.** Адже робочий інструмент може зачепитися за що-небудь, що призведе до втрати контролю над електроприладом.
- ▶ **Не відкривайте акумуляторну батарею.** Існує небезпека короткого замикання.



Захищайте акумуляторну батарею від тепла, зокрема, напр., від сонячних променів, вогню, води та вологи. Існує небезпека вибуху.



- ▶ **При пошкодженні або неправильній експлуатації акумуляторної батареї може виходити пар. Впустіть свіже повітря і – у разі скарг – зверніться до лікаря.** Пар може подразнювати дихальні шляхи.
- ▶ **Використовуйте акумулятор лише з Вашим електроприладом Bosch.** Лише за таких умов акумулятор буде захищений від небезпечного перевантаження.
- ▶ **Гострими предметами, як напр., гвіздками чи викрутками, а також зовнішніми силовими діями можна пошкодити акумуляторну батарею.** Можливе внутрішнє коротке замикання, загоряння, утворення диму, вибух або перегрів акумуляторної батареї.

Опис продукту і послуг**Прочитайте всі застереження і вказівки.**

Недотримання застережень і вказівок може призвести до ураження електричним струмом, пожежі та/або серйозних травм.

Будь ласка, розгорніть сторінку із зображенням приладу і тримайте її перед собою увесь час, коли будете читати інструкцію.

Призначення приладу

Електроприлад призначений для закручування і викручування гвинтів, а також для свердлення в деревині, металі, кераміці і пластмасі. Крім того, GSB призначений також для ударного свердлення у цеглі, кам'яній кладці і камені.

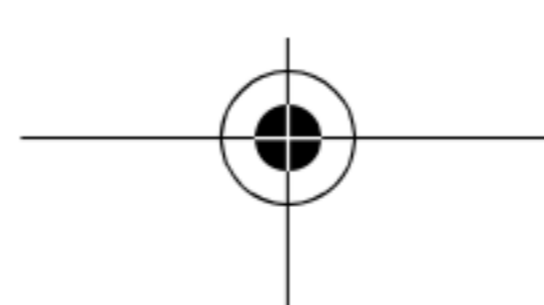
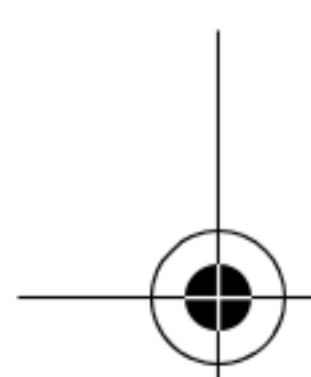
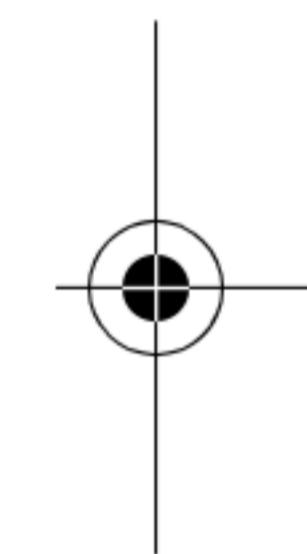
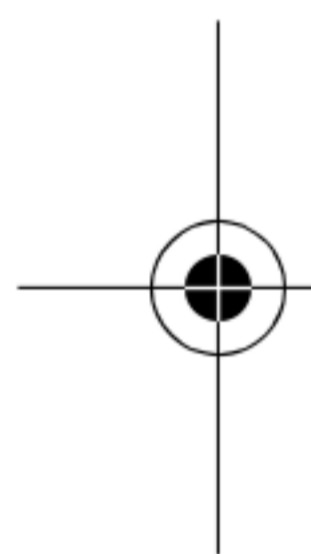
Лампочка в електроінструменті призначена для підсвітлювання безпосередньої зони роботи, вона не придатна для освітлювання приміщень у будинку.

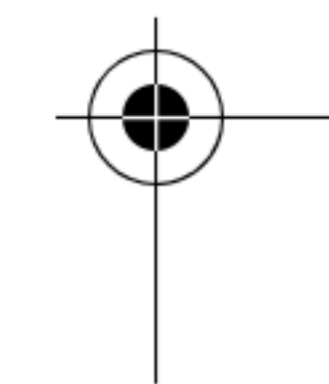
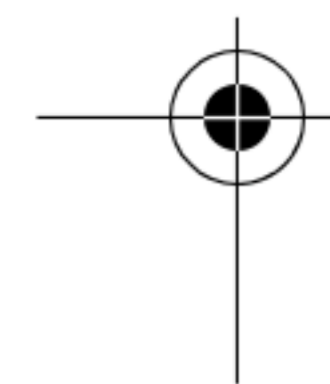
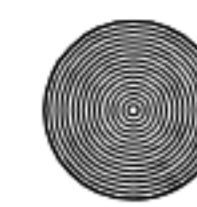
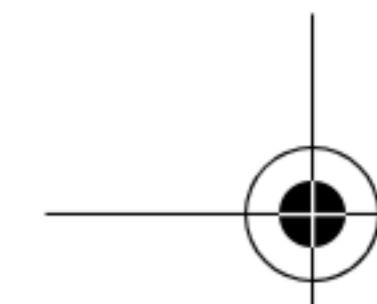
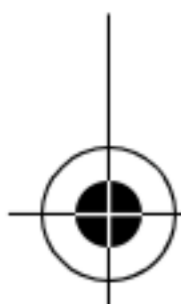
Зображені компоненти

Нумерація зображених компонентів посилається на зображення електроприладу на сторінці з малюнком.

- 1 Патрон
- 2 Швидкозатискний патрон
- 3 Кільце для встановлення обертального моменту
- 4 Перемикач режимів роботи (GSB 140-LI, GSB 180-LI)
- 5 Перемикач швидкості
- 6 Кришка
- 7 Акумуляторна батарея
- 8 Кнопка розблокування акумуляторної батареї
- 9 Підсвітлювальний світлодіод
- 10 Перемикач напрямку обертання
- 11 Вимикач
- 12 Рукоятка (з ізолюваною поверхнею)
- 13 Універсальний затискач біт*
- 14 Вугляні щітки

*Зображене або описане приладдя не входить в стандартний обсяг поставки. Повний асортимент приладдя Ви знайдете в нашій програмі приладдя.





Українська | 23

Технічні дані

Акумуляторний шуруповерт		GSR 140-LI	GSR 180-LI	GSB 140-LI	GSB 180-LI
Товарний номер		3 601 JF8 0..	3 601 JF8 1..	3 601 JF8 2..	3 601 JF8 3..
Ном. напруга	B=	14,4	18	14,4	18
Кількість обертів на холостому ході					
– 1-а швидкість	хвил. ⁻¹	0-450	0-450	0-450	0-450
– 2-а швидкість	хвил. ⁻¹	0-1700	0-1700	0-1700	0-1700
Кількість ударів	хвил. ⁻¹	–	–	0-27 000	0-27 000
Макс. обертальний момент при закручуванні в м'які матеріали відп. до ISO 5393	Нм	18*	21*	18*	21*
Макс. обертальний момент, жорстка посадка відпов. до ISO 5393	Нм	50*	54*	50*	54*
Макс. Ø отвору (1-а/2-а швидкість)					
– Деревина	мм	32	35	32	35
– Сталь	мм	10	10	10	10
– Кам'яна кладка	мм	–	–	8	10
Патрон		1,5 - 13	1,5 - 13	1,5 - 13	1,5 - 13
Макс. Ø гвинтів	мм	8	10	8	10
Вага відповідно до ЕРТА-Procedure 01:2014	кг	1,3/1,5*	1,3/1,6*	1,3/1,6*	1,3/1,6*
Допустима температура навколишнього середовища					
– при заряджанні	°C	-15... +50	-15... +50	-15... +50	-15... +50
– при експлуатації** і при зберіганні	°C	-20... +50	-20... +50	-20... +50	-20... +50
Рекомендовані акумулятори		GBA 14,4V..	GBA 18V.. GBA 18V... W	GBA 14,4V..	GBA 18V.. GBA 18V... W
Рекомендовані зарядні пристрої		AL 1814 CV	AL 1814 CV	AL 1814 CV	AL 1814 CV
Рекомендовані зарядні пристрої для індуктивних акумуляторних батарей			GAL 18... W		GAL 18... W

*в залежності від використовуваної акумуляторної батареї

** Обмежена потужність при температурах < 0 °C

Інформація щодо шуму і вібрації

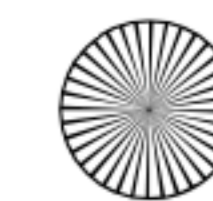
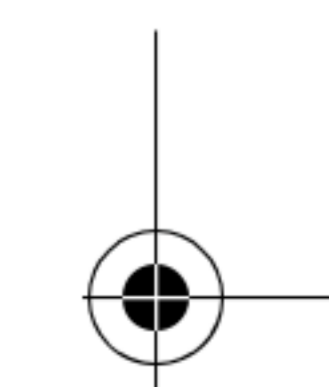
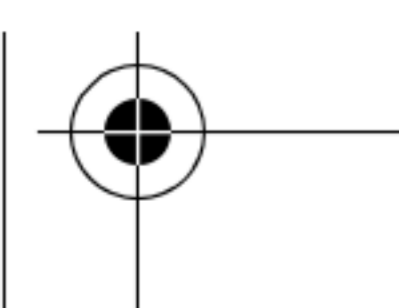
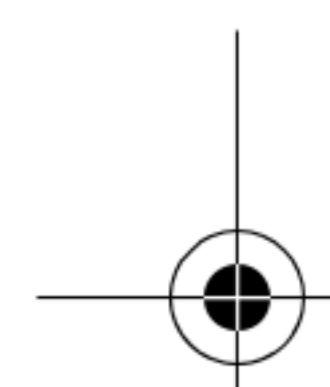
Значення звукової емісії отримані відповідно до EN 60745-2-1, EN 60745-2-2.

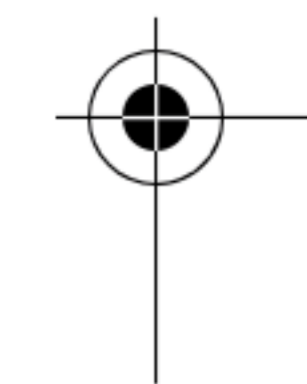
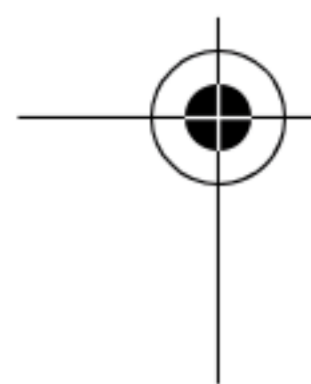
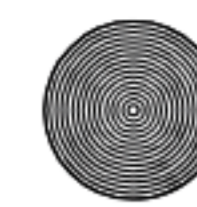
GSR 140-LI / GSB 140-LI

Оцінений як А рівень звукового тиску від приладу, як правило, становить: звукове навантаження 89 дБ(А); звукова потужність 100 дБ(А). Похибка К = 3 дБ.

Вдягайте навушники!**GSR 180-LI / GSB 180-LI**

Оцінений як А рівень звукового тиску від приладу, як правило, становить: звукове навантаження 88 дБ(А); звукова потужність 99 дБ(А). Похибка К = 3 дБ.

Вдягайте навушники!

**24** | Українська

		GSR 140-LI	GSR 180-LI	GSB 140-LI	GSB 180-LI
Сумарна вібрація a_h (векторна сума трьох напрямків) та похибка K визначені відповідно до EN 60745-2-1, EN 60745-2-2.					
Свердлення в металі:					
a_h	M/c ²	<2,5	2,5	<2,5	2,5
K	M/c ²	1,5	1,5	1,5	1,5
Ударне свердлення бетону:					
a_h	M/c ²	–	–	7,0	8,0
K	M/c ²	–	–	1,5	1,5
Гвинти:					
a_h	M/c ²	<2,5	<2,5	<2,5	<2,5
K	M/c ²	1,5	1,5	1,5	1,5

Зазначений в цих вказівках рівень вібрації був визначений за процедурою, визначеною в EN 60745; нею можна користуватися для порівняння електроінструментів. Він придатний також і для попередньої оцінки вібраційного навантаження.

Зазначений рівень вібрації стосується головних робіт, для яких застосовується електроприлад. Однак при застосуванні електроінструменту для інших робіт, роботі з різними приладами або з іншими змінними робочими інструментами або при недостатньому технічному обслуговуванні рівень вібрації може бути іншим. В результаті вібраційне навантаження протягом всього інтервалу використання приладу може значно зростати. Для точної оцінки вібраційного навантаження треба враховувати також і інтервали часу, коли прилад вимкнений або, хоч і увімкнений, але саме не в роботі. Це може значно зменшити вібраційне навантаження протягом всього інтервалу використання приладу. Визначте додаткові заходи безпеки для захисту від вібрації працюючого з приладом, як напр.: технічне обслуговування електроприладу і робочих інструментів, нагрівання рук, організація робочих процесів.

Монтаж

Зарядження акумуляторної батареї

Вказівка: Акумулятор постачається частково зарядженим. Щоб акумулятор міг реалізувати свою повну ємність, перед тим, як перший раз працювати з приладом, акумулятор треба повністю зарядити у зарядному пристрої.

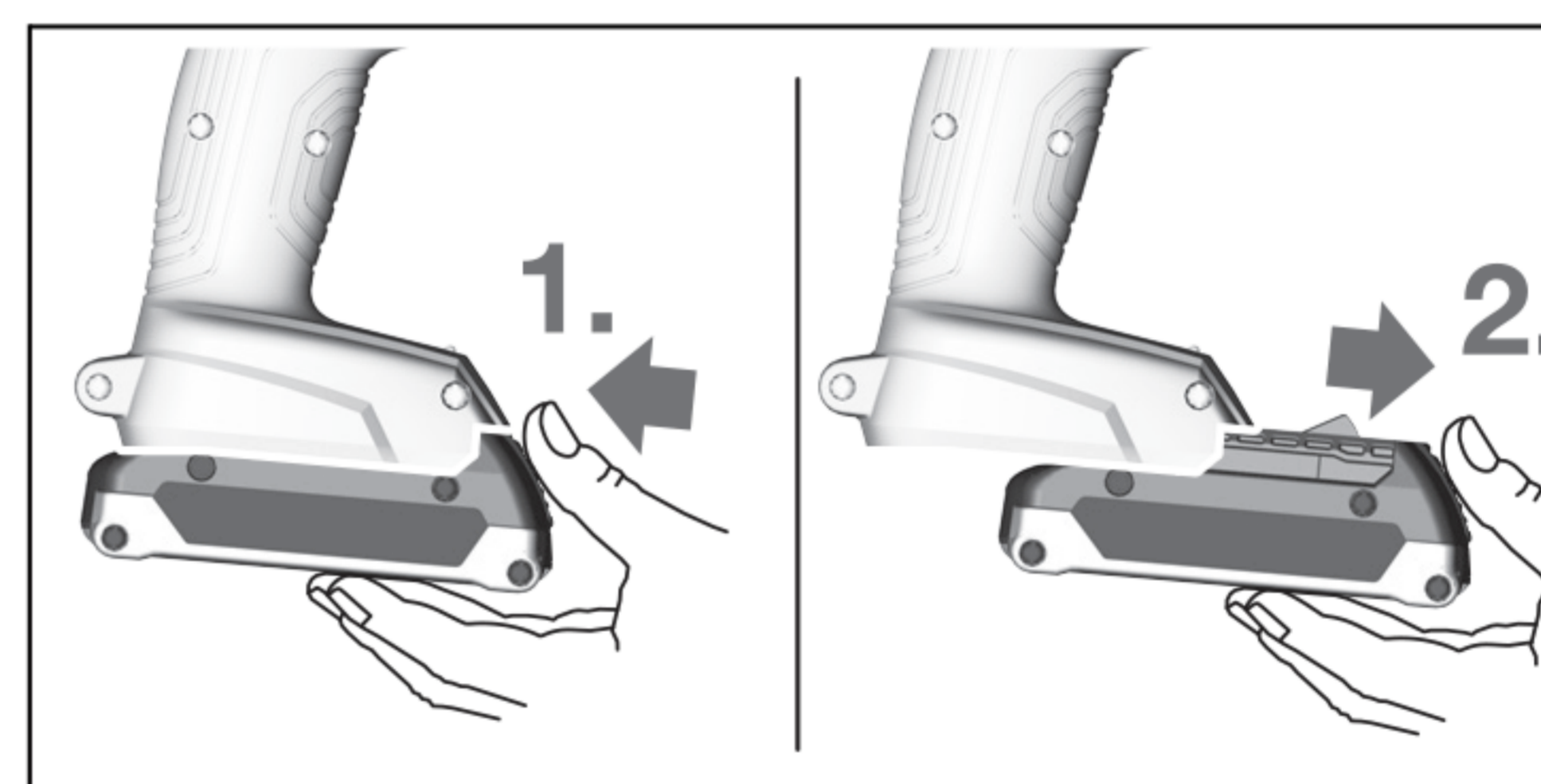
Літійо-іонний акумулятор можна заряджати коли завгодно, це не скорочує його експлуатаційний ресурс. Переривання процесу зарядження не пошкоджує акумулятор.

Літійо-іонний акумулятор захищений від глибокого розрядження за допомогою системи «Electronic Cell Protection (ECP)». При розрядженому акумуляторі прилад завдяки схемі захисту вимикається. Робочий інструмент більше не рухається.

► **Після автоматичного вимикання електроприладу більше не натискайте на вимикач.** Це може пошкодити акумуляторну батарею.

Виймання акумулятора

В акумуляторі **7** передбачені два ступені блокування, покликані запобігти випадінню акумулятора при ненавмисному натисканні на кнопку розблокування акумулятора **8**. Встромлений в електроприлад акумулятор тримається у положенні завдяки пружині.



Щоб вийняти акумуляторну батарею **7**, натисніть на кнопку розблокування **8** та витягніть акумуляторну батарею з електроприладу, потягнувши її вперед. **Не застосовуйте при цьому силу.**

Заміна робочого інструмента (див. мал. А)

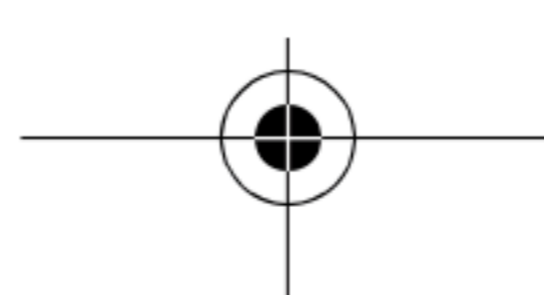
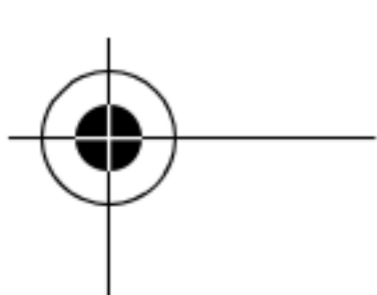
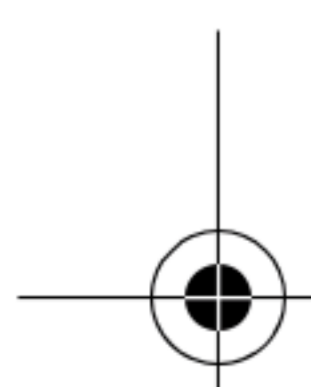
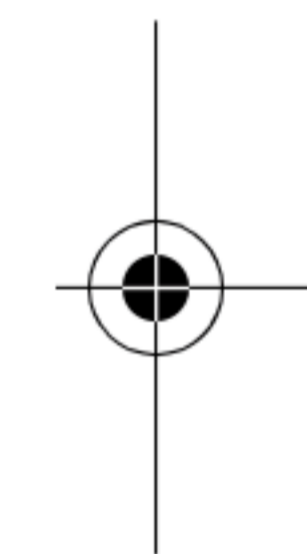
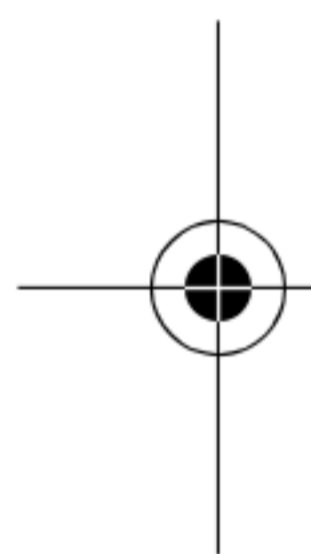
► **Перед усіма маніпуляціями з електроприладом (напр., технічним обслуговуванням, заміною робочого інструмента тощо), а також при його транспортуванні і зберіганні виймайте акумуляторну батарею з електроприладу.** При ненавмисному увімкненні вимикача існує небезпека поранення.

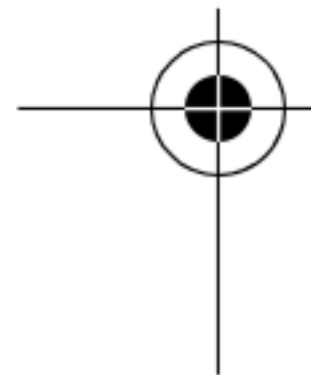
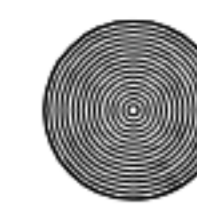
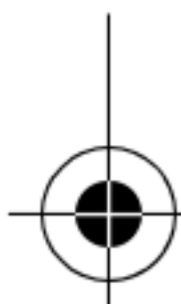
Повертаючи в напрямку обертання **1**, відкрийте швидкозатискний свердильний патрон **2**, щоб в нього можна було встромити робочий інструмент. Встроміть робочий інструмент.

Рукою міцно закрутіть втулку свердильного патрона **2** в напрямку обертання **2**. Свердильний патрон автоматично фіксується.

Відсмоктування пилу/тирси/стружки

► **Пил таких матеріалів, як напр., лакофарбові покриття, що містять свинець, деякі види деревини, мінералів і металу, може бути небезпечним для здоров'я і викликати алергійні реакції або призводити до захворювань дихальних шляхів та/або раку.** Матеріали, що містять азбест, дозволяється обробляти лише фахівцям.





- Слідкуйте за доброю вентиляцією на робочому місці.
- Рекомендується вдягати респіраторну маску з фільтром класу P2.

Додержуйтеся приписів щодо оброблюваних матеріалів, що діють у Вашій країні.

- **Уникайте накопичення пилю на робочому місці.** Пил може легко займатися.

Робота

Початок роботи

Встромлення акумуляторної батареї

Вказівка: Експлуатація електроприладу з непридатними для нього акумуляторними батареями може призводити до збоїв у роботі або до пошкодження електроприладу.

Встановіть перемикач напрямку обертання **10** в середнє положення, щоб запобігти ненавмисному вмиканню. Встроміть заряджену акумуляторну батарею **7** в рукоятку, щоб вона відчутно зайшла в зачеплення і знаходилася врівень з рукояткою.

Встановлення напрямку обертання (див. мал. В)

За допомогою перемикача напрямку обертання **10** можна міняти напрямок обертання інструмента. Однак це не можливо, якщо натиснутий вимикач **11**.

Обертання праворуч: Для свердлення і закручування гвинтів посуňte перемикач напрямку обертання **10** до упору ліворуч.

Обертання ліворуч: Для послаблення або викручування гвинтів посуňte перемикач напрямку обертання **10** до упору праворуч.

Встановлення режиму роботи



Свердлення GSR 140-LI, GSR 180-LI:

Встановіть кільце для встановлення обертального моменту **3** на необхідний обертальний момент.

GSB 140-LI, GSB 180-LI:

Встановіть перемикач режимів роботи **4** на символ «Свердлення».



Закручування гвинтів GSR 140-LI, GSR 180-LI:

Встановіть кільце для встановлення обертального моменту **3** на символ «Закручування/відкручування гвинтів».

GSB 140-LI, GSB 180-LI:

Встановіть перемикач режимів роботи **4** на символ «Закручування/відкручування гвинтів».



Ударне свердлення (GSB 140-LI, GSB 180-LI)

Встановіть перемикач режимів роботи **4** на символ «Ударне свердлення».

Вмикання/вимикання

Щоб **увімкнути** електроприлад, натисніть на вимикач **11** і тримайте його натиснутим.

Світлодіод **9** загоряється при наполовину або повністю натиснутому вимикачі **11** і підсвічує місце роботи при поганому освітленні.

З міркувань заощадження електроенергії вмикайте електроінструмент лише тоді, коли Ви збираєтесь користуватися ним.

Регулювання кількості обертів

Кількість обертів увімкнутого електроприладу можна плавно регулювати більшим чи меншим натисканням на вимикач **11**.

При легкому натисканні на вимикач **11** прилад працює з малою кількістю обертів. Із збільшенням сили натискування кількість обертів збільшується.

Встановлення обертального моменту

За допомогою кільця для встановлення обертального моменту **3** потрібний обертальний момент можна встановлювати в 20 етапів. Після досягнення потрібного обертального моменту робочий інструмент зупиняється.

Механічне перемикання швидкості

- **Перемикати перемикач швидкості 5 можна як на зупиненому, так і на працюючому приладі. Однак цього не треба робити, коли прилад працює при повному навантаженні або на максимальній кількості обертів.**

1-а швидкість:

мала кількість обертів; для роботи зі свердлами великих діаметрів.

2-а швидкість:

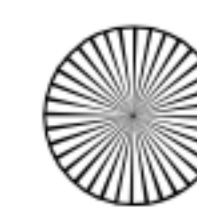
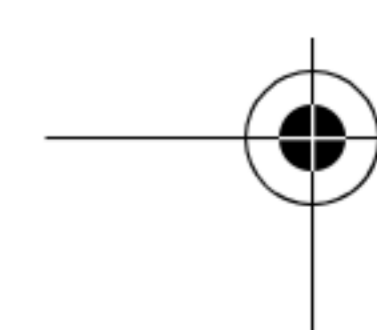
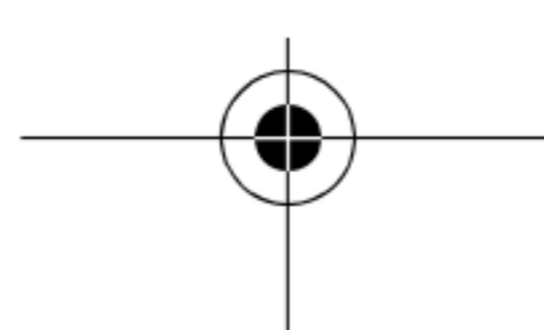
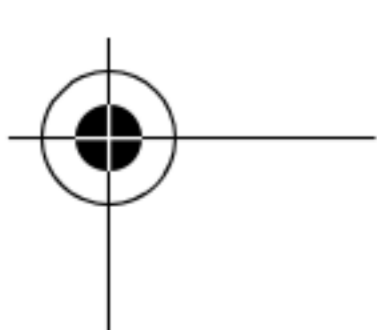
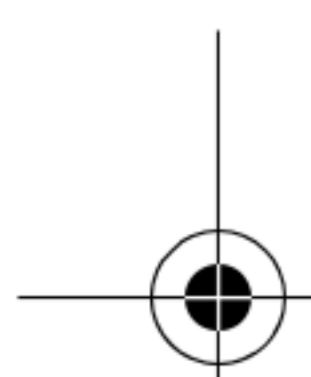
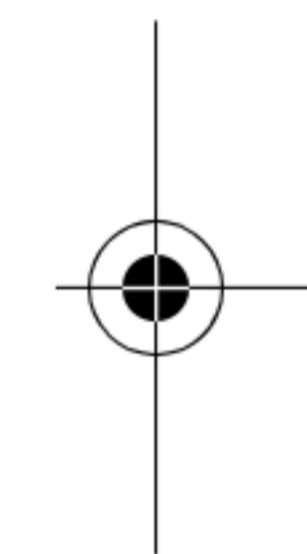
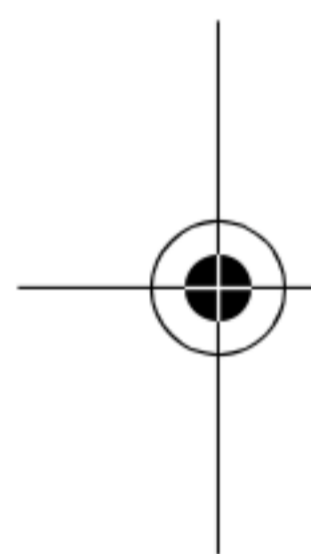
Велика кількість обертів; для свердлення отворів невеликого діаметра.

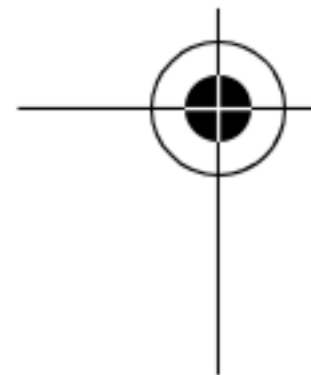
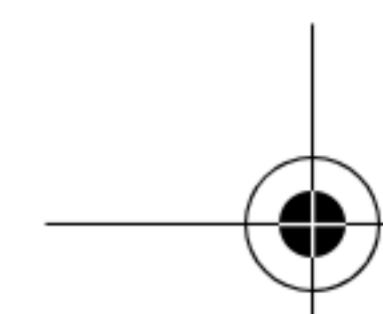
Термозапобіжник

При експлуатації електроінструмента відповідно до його призначення його перевантаження неможливе. При занадто сильному навантаженні або при виході за межі допустимого температурного діапазону акумуляторної батареї електроінструмент вимикається і мигає СІД електроінструмента. Дайте електроінструменту вихолонутися, перш ніж продовжувати працювати з ним.

Захист від глибокого розрядження

Літєво-іонний акумулятор захищений від глибокого розрядження за допомогою системи «Electronic Cell Protection (ECP)». При розрядженому акумуляторі прилад завдяки схемі захисту вимикається. Робочий інструмент більше не рухається.





26 | Українська

Аварійне вимкнення

Функція аварійного вимкнення забезпечує кращий контроль над електроінструментом. При непередбачуваному обертанні електроінструменту навколо осі свердла електроінструмент вимикається.

Про аварійне вимкнення свідчить мигання світлодіода на електроінструменті.

Для **повторного увімкнення** відпустіть вимикач і знову натисніть його.

- ▶ **Швидке вимикання спрацьовує лише тоді, коли електроінструмент працює з максимальним числом обертів і може вільно обертатися навколо осі свердла.** Виберіть придатне робоче положення. В іншому випадку швидке вимикання не гарантується.

Вказівки щодо роботи

- ▶ **Пересувайте перемикач швидкості/повертайте перемикач режимів роботи завжди до упору.** В противному разі можливе пошкодження електроінструменту.
- ▶ **Приставляйте електроприлад до гвинта лише у вимкнутому стані.** Робочі інструменти, що обертаються, можуть зісковзнути.

Щоб вийняти біт-насадку або універсальний тримач біт-насадок можна користуватися допоміжним інструментом.

- ▶ **Робота у занадто пильному середовищі може призводити до виходу електроінструмента з ладу. Якщо електроінструмент раптом вийде з ладу, демонуйте і перевірте вугільні щітки (див. розділ «Заміна вугляних щіток»).**

Технічне обслуговування і сервіс

Технічне обслуговування і очищення

- ▶ **Перед усіма маніпуляціями з електроприладом (напр., технічним обслуговуванням, заміною робочого інструмента тощо), а також при його транспортуванні і зберіганні виймайте акумуляторну батарею з електроприладу.** При ненавмисному увімкненні вимикача існує небезпека поранення.
- ▶ **Щоб електроприлад працював якісно і надійно, тримайте прилад і вентиляційні отвори в чистоті.**

Заміна вугляних щіток (див. мал. С)

Перевіряйте довжину вугляних щіток прибіл. кожні 2 – 3 місяці і при необхідності міняйте обидві вугляні щітки.

Ніколи не замінюйте лише одну вугляну щітку окремо!

Вказівка: Використовуйте лише придбані на Bosch вугляні щітки, що призначені для Вашого продукту.

- За допомогою придатної викрутки зніміть ковпачки **6**.
- Замініть підпружинені вугляні щітки **14** і знову прикрутіть ковпачки.

Якщо акумуляторна батарея більше не працює, будь ласка, зверніться в авторизовану сервісну майстерню електроприладів Bosch.

Сервіс та надання консультацій щодо використання продукції

Сервісна майстерня відповість на запитання стосовно ремонту і технічного обслуговування Вашого виробу. Малюнки в деталях і інформацію щодо запчастин можна знайти за адресою:

www.bosch-pt.com

Команда співробітників Bosch з надання консультацій щодо використання продукції із задоволенням відповість на Ваші запитання стосовно нашої продукції та приладдя до неї.

При всіх додаткових запитаннях та замовленні запчастин, будь ласка, зазначайте 10-значний номер для замовлення, що стоїть на паспортній табличці продукту.

Гарантійне обслуговування і ремонт електроінструменту здійснюються відповідно до вимог і норм виготовлювача на території всіх країн лише у фірмових або авторизованих сервісних центрах фірми «Роберт Бош». **ПОПЕРЕДЖЕННЯ!** Використання контрафактної продукції небезпечно в експлуатації і може мати негативні наслідки для здоров'я. Виготовлення і розповсюдження контрафактної продукції переслідується за Законом в адміністративному і кримінальному порядку.

Україна

ТОВ «Роберт Бош»

Сервісний центр електроінструментів

вул. Крайня, 1, 02660, Київ-60

Україна

Тел.: (044) 4 90 24 07 (багатоканальний)

E-Mail: pt-service.ua@bosch.com

Офіційний сайт: www.bosch-powertools.com.ua

Адреса Регіональних гарантійних сервісних майстерень зазначена в Національному гарантійному талоні.

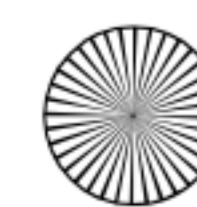
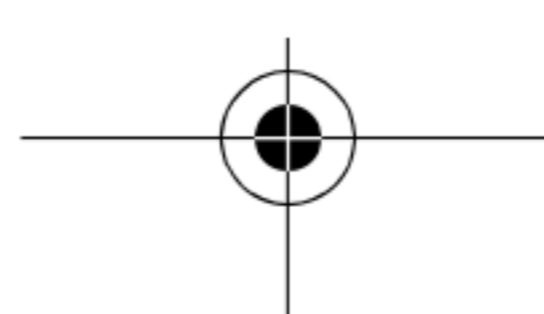
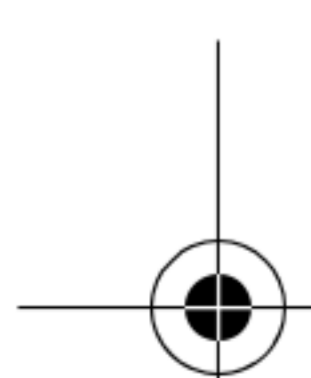
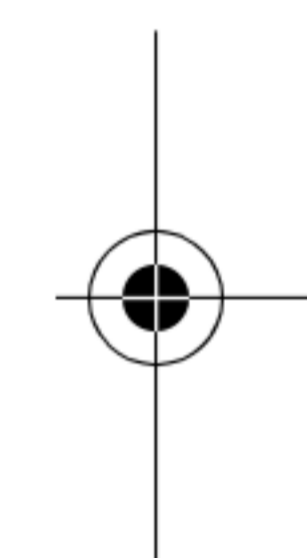
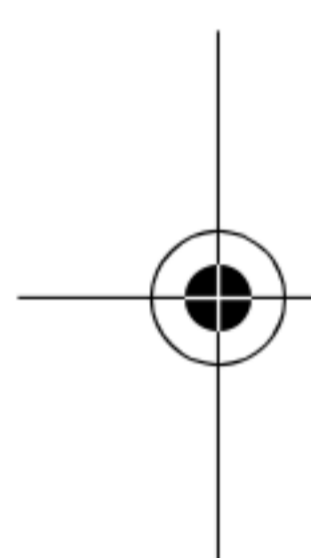
Транспортування

На додані літєво-іонні акумуляторні батареї розповсюджуються вимоги щодо транспортування небезпечних вантажів. Акумуляторні батареї можуть перевозитися користувачем автомобільним транспортом без необхідності виконання додаткових норм.

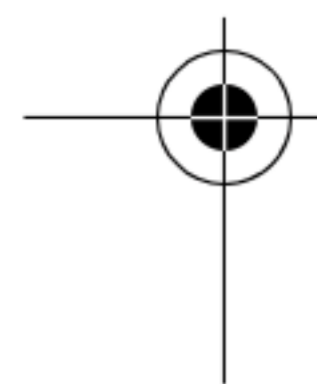
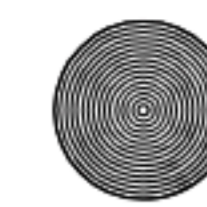
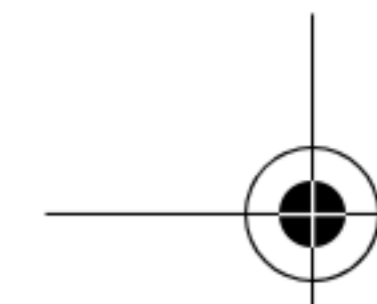
При пересилці третіми особами (напр.: повітряним транспортом або транспортним експедитором) потрібно дотримуватися особливих вимог щодо упаковки та маркування. В цьому випадку при підготовці посилки повинен приймати участь експерт з небезпечних вантажів.

Відсилайте акумуляторну батарею лише з непошкодженим корпусом. Заклейте відкриті контакти та запакуйте акумуляторну батарею так, щоб вона не совалася в упаковці.

Дотримуйтеся, будь ласка, також можливих додаткових національних приписів.



1
ЦИКЛЕВОЧНАЯ
КОМПАНИЯ

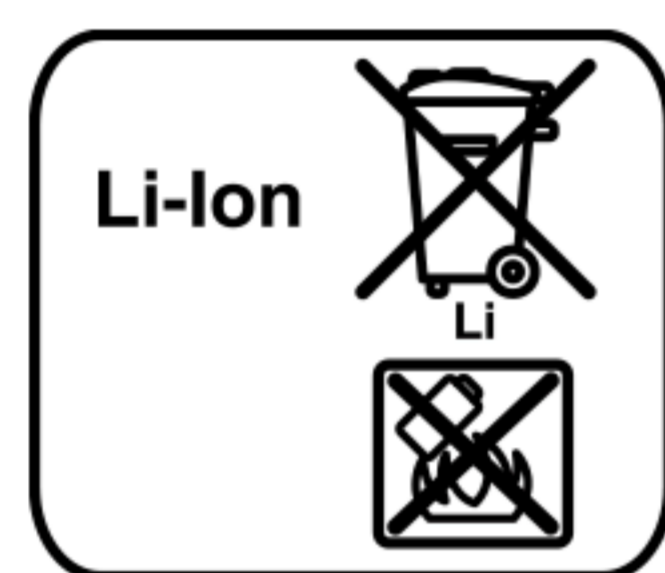
**Утилізація**

Електроприлади, акумуляторні батареї, приладдя і упаковку треба здавати на екологічно чисту повторну переробку.

Не викидайте електроприлади та акумуляторні батареї/батареї в побутове сміття!

Лише для країн ЄС:

Відповідно до європейської директиви 2012/19/EU електро- і електронні прилади, що вийшли з вживання, та відповідно до європейської директиви 2006/66/EC пошкоджені або відпрацьовані акумуляторні батареї/батареї повинні здаватися окремо і утилізуватися екологічно чистим способом.

Акумулятори/батареї:**Літєво-іонні:**

Будь ласка, зважайте на вказівки в розділі «Транспортування», стор. 26.

Можливі зміни.

Қазақша

Өндірушінің өнім үшін қарастырған пайдалану құжаттарының құрамында пайдалану жөніндегі осы нұсқаулық, сонымен бірге қосымшалар да болуы мүмкін. Сәйкестікті растау жайлы ақпарат қосымшада бар. Өнімді өндірген мемлекет туралы ақпарат өнімнің корпусында және қосымшада көрсетілген.

Өндіру күні нұсқаулықтың соңғы, мұқаба бетінде көрсетілген.

Импорттаушы контакттік мәліметін орамада табу мүмкін.

Өнімді пайдалану мерзімі

Өнімнің қызмет ету мерзімі 7 жыл. Өндірілген мерзімнен бастап (өндіру күні зауыт тақтайшасында жазылған) істетпей 5 жыл сақтағаннан соң, өнімді тексерусіз (сервистік тексеру) пайдалану ұсынылмайды.

Қызметкер немесе пайдаланушының қателіктері мен істен шығу себептерінің тізімі

- тұтқасы мен корпусы бұзылған болса, өнімді пайдаланбаңыз
- өнім корпусынан тікелей түтін шықса, пайдаланбаңыз
- тоқ сымы бұзылған немесе оқшаулаусыз болса, пайдаланбаңыз
- жауын –шашын кезінде сыртта (далада) пайдаланбаңыз
- корпус ішіне су кірсе құрылғыны қосушы болмаңыз
- көп үшқын шықса, пайдаланбаңыз
- қатты діріл кезінде пайдаланбаңыз

Шекті күй белгілері

- тоқ сымының тозуы немесе зақымдануы
- өнім корпусының зақымдалуы

Қызмет көрсету түрі мен жиілігі

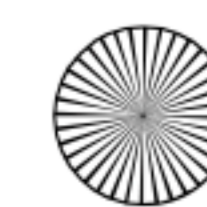
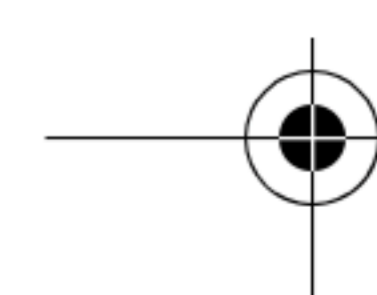
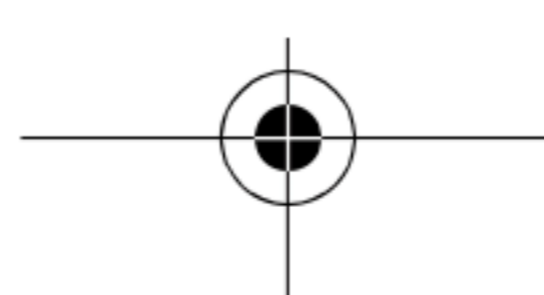
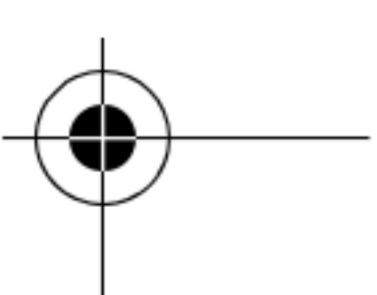
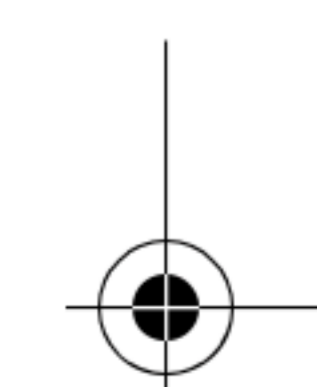
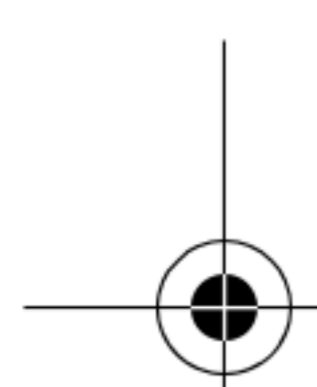
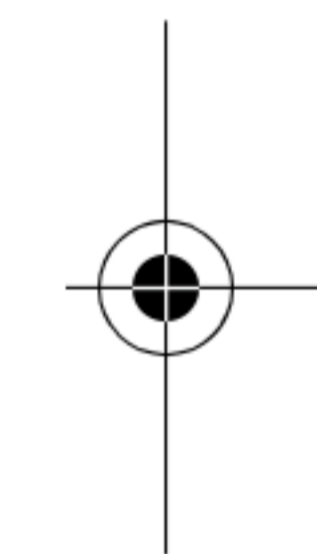
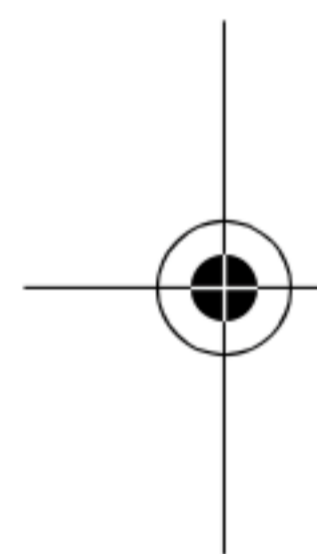
Әр пайдаланудан соң өнімді тазалау ұсынылады.

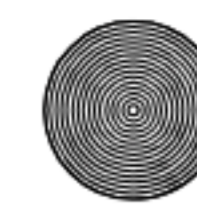
Сақтау

- құрғақ жерде сақтау керек
- жоғары температура көзінен және күн сәулелерінің әсерінен алыс сақтау керек
- сақтау кезінде температураның кенет ауытқуынан қорғау керек
- орамасыз сақтау мүмкін емес
- сақтау шарттары туралы қосымша ақпарат алу үшін МЕМСТ 15150 (Шарт 1) құжатын қараңыз

Тасымалдау

- тасымалдау кезінде өнімді құлатуға және кез келген механикалық ықпал етуге қатаң тыйым салынады
- босату/жүктеу кезінде пакетті қысатын машиналарды пайдалануға рұқсат берілмейді.
- тасымалдау шарттары талаптарын МЕМСТ 15150 (5 шарт) құжатын оқыңыз.





Қауіпсіздік нұсқаулары

Электр құралдары үшін жалпы қауіпсіздік нұсқаулықтары

⚠ ЕСКЕРТУ Барлық қауіпсіздік нұсқаулықтарын және ескертпелерді оқыңыз. Техникалық қауіпсіздік нұсқаулықтарын және ескертпелерді сақтамау тоқтың соғуына, өрт және/немесе ауыр жарақаттануларға алып келуі мүмкін.

Болашақ жұмыстар үшін қауіпсіздік нұсқаулықтары мен ескертпелерді сақтап қойыңыз.

Қауіпсіздік нұсқаулықтарында пайдаланылған “Электр құрал” атауының желіден қуат алатын электр құралдарына (желілік кабелі менен) және аккумуляторден қуат алатын электр құралдарына (желілік кабелі жоқ) қатысы бар.

Жұмыс орнының қауіпсіздігі

- ▶ **Жұмыс орнын таза және жақсы жарықталған жағдайда ұстаңыз.** Тәртіп немесе жарық болмаған жұмыс аймақтары жазатайым оқиғаларға алып келуі мүмкін.
- ▶ **Жанатын сұйықтықтар, газдар немесе шаң жиылған жарылыс қауіпі бар қоршауда электр құралды пайдаланбаңыз.** Электр құралдары ұшқын шығарып, шаң немесе буларды жандыруы мүмкін.
- ▶ **Электр құралдарын пайдалану кезінде балалар және басқа адамдарды ұзақ жерге шеттетіңіз.** Ауытқу кезінде құрал бақылауын жоғалтуыңыз мүмкін.

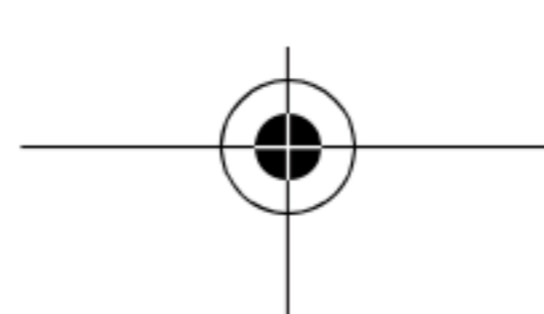
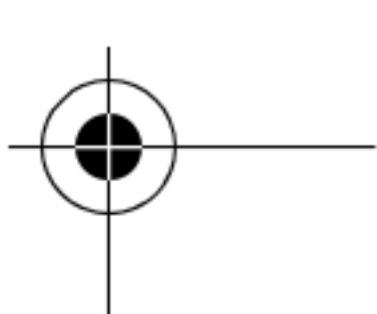
Электр қауіпсіздігі

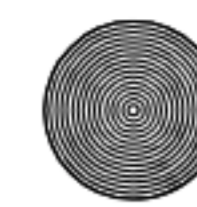
- ▶ **Электр құрал штепселінің айыры розеткаға сыюы қажет. Айырды ешқандай өзгерту мүмкін емес. Жерге қосулы электр құралдарменен ешқандай адаптерлік айырды пайдаланбаңыз.** Өзгертілмеген айыр және жарамды розеткаларды пайдалану электр тоқ соғу қауіпін төмендетеді.
- ▶ **Құбыр, жылытатын жабдық, плита және суытқыш сияқты жерге қосулы құралдар сыртына тимеңіз.** Егер денеңіз жерге қосулы болса, электр тоғының соғу қаупі артады.
- ▶ **Электр құралдарын ылғалдан, сыздан сақтаңыз.** Электр құралының ішіне су кірсе, ол электр тоғының соғу қаупін арттырады.
- ▶ **Электр құралды алып жүру, асып қою немесе айырын розеткадан шығару үшін кабельді пайдаланбаңыз. Кабельді ыстықтан, майдан, өткір шеттерден немесе құралдың жылжыма бөліктерінен алыс жерде ұстаңыз.** Зақымдалған немесе шиеленіскен кабель электр тоғының соғу қаупін арттырады.
- ▶ **Электр құралымен ашық жерде жұмыс істесеңіз, тек сыртта пайдалануға арналған ұзартқышты пайдаланыңыз.** Сыртта пайдалануға арналған ұзартқышты пайдалану электр тоғының соғу қаупін төмендетеді.

- ▶ **Электр құралын ылғалды қоршауда пайдалану қажет болса, автоматты сақтандырғыш ажыратқышын пайдаланыңыз.** Автоматты сақтандырғыш ажыратқышты пайдалану тоқ соғу қаупін төмендетеді.

Адамдар қауіпсіздігі

- ▶ **Сақ болып, не істеп жатқаныңызға айрықша көңіл бөліп, электр құралын ретімен пайдаланыңыз. Шаршаған жағдайда немесе еліткіш, алкоголь немесе дәрі әсері астында электр құралды пайдаланбаңыз.** Электр құралды пайдалануда секундтық абайсыздық қатты жарақаттануларға алып келуі мүмкін.
- ▶ **Жеке сақтайтын киімді және әрдайым қорғаныш көзілдірікті киіңіз.** Электр құрал түріне немесе пайдалануына байланысты шаңтұтқыш, сырғудан сақтайтын бөтеңке, сақтайтын шлем немесе құлақ сақтағышы сияқты жеке қорғаныс жабдықтарын кию жарақаттану қаупін төмендетеді.
- ▶ **Байқаусыз пайдаланудан аулақ болыңыз. Электр құралын тоққа және/немесе аккумуляторға қосуда, оны көтергенде немесе алып жүргенде, өшірулі болуына көз жеткізіңіз.** Электр құралын көтеріп тұрғанда, бармақты ажыратқышта ұстау немесе құрылғыны қосулы күйде тоққа қосу, жазатайым оқиғаларға алып келуі мүмкін.
- ▶ **Электр құралын қосудан алдын реттейтін аспаптарды және гайка кілттерін алыстатыңыз.** Айналатын бөлшекте тұрған аспап немесе кілт жарақаттануларға алып келуі мүмкін.
- ▶ **Қалыпсыз дене күйінде тұрмаңыз. Тірек күйде тұрып, әрқашан өзіңізді сенімді ұстаңыз.** Осылай сіз күтпеген жағдайда электр құралды жақсырақ бақылайсыз.
- ▶ **Жұмысқа жарамды киім киіңіз. Кең немесе сәнді киім кимеңіз. Шашыңызды, киім және қолғапты қозғалмалы бөлшектерден алыс ұстаңыз.** Кең киім, әшекей немесе ұзын шаш қозғалмалы бөлшектерге тиюі мүмкін.
- ▶ **Шаңсорғыш және шаңтұтқыш жабдықтарды құрғанда, олардың қосылғандығына және дұрыс пайдалынуына көз жеткізіңіз.** Шаңсорғышты пайдалану шаң себебінен болатын қауіптерді азайтады.
- ▶ **НАЗАР АУДАРЫҢЫЗ! Энергиямен жабдықтаудың толықтай не жекелей тоқтатылуы немесе энергиямен жабдықтауды басқару тізбегінің ақаулануы салдарынан электр құралының жұмысында кідіріс пайда болған жағдайда, бұғатталмағандығына көз жеткізіп (болған жағдайда) барып, ажыратқышты Выкл. (Өшіру) қалпына келтіріңіз. Желілік ашаны розеткадан шығарыңыз немесе алып – салмалы аккумуляторды ажыратыңыз.** Осы әрекет арқылы бақыланбайтын қайта іске қосылудың алдын аласыз.



**Электр құралдарын пайдалану және күту**

- ▶ **Құралды аса көп жүктемеңіз. Жұмысыңыз үшін жарамды электр құралын пайдаланыңыз.** Жарамды электр құралымен керекті жұмыс аймағында дұрыс әрі сенімді жұмыс істейсіз.
- ▶ **Ажыратқышы дұрыс емес электр құралын пайдаланбаңыз.** Қосуға немесе өшіруге болмайтын электр құралы қауіпті болып, оны жөндеу қажет болады.
- ▶ **Жабдықтарды реттеу, бөлшектерін алмастыру немесе құралды алып қоюдан алдын айырды розеткадан шығарыңыз және/немесе аккумуляторды алып тастаңыз.** Бұл сақтық әрекеті электр құралдың байқаусыз қосылуына жол бермейді.
- ▶ **Пайдаланылмайтын электр құралдарды балалар қолы жетпейтін жайға қойыңыз. Осыларды білмейтін немесе осы ескертпелерді оқымаған адамдарға бұл құралды пайдалануға жол бермеңіз.** Тәжірибесіз адамдар қолында электр құралдары қауіпті болады.
- ▶ **Электр құралдарын ұқыпты күтіңіз. Қозғалмалы бөлшектердің кедергісіз істеуіне және кептеліп қалмауына, бөлшектердің ақаусыз немесе зақымдалмаған болуына, электр құралының зақымдалмағанына көз жеткізіңіз. Зақымдалған бөлшектері бар құралды пайдаланудан алдын жөндеңіз.** Электр құралдарының дұрыс күтілмеуі жазатайым оқиғаларға себеп болып жатады.
- ▶ **Кескіш аспаптарды өткір және таза күйде сақтаңыз.** Дұрыс күтілген және кескіш жиектері өткір кескіш аспаптар аз кептеліп, кесілетін бетке оңай бағытталады.
- ▶ **Электр құралын, жабдықтарды, алмалы-салмалы аспаптарды және т.б. осы нұсқауларға сай пайдаланыңыз. Сонымен жұмыс шарттарымен орындайтын әрекеттерге назар аударыңыз.** Электр құралдарын арналмаған жұмыстарда пайдалану қауіпті.

Аккумуляторды пайдалану және күту

- ▶ **Аккумуляторлық батареяны тек өндіруші көрсеткен зарядтау құрылғысымен зарядтаңыз.** Зарядтау құрылғысы белгілі бір аккумуляторлар түріне арналған, оны басқа аккумуляторларды зарядтау үшін пайдалану өрт қаупін тудырады.
- ▶ **Электр құралдарына арналған аккумуляторларды ғана пайдаланыңыз.** Басқа аккумуляторларды пайдалану жарақаттарға немесе өртке әкелуі мүмкін.
- ▶ **Пайдаланылмайтын аккумуляторды түйіспелерді тұйықтауы мүмкін қыстырғыштардан, тиындардан, кілттерден, шегелерден, винттерден және басқа ұсақ темір заттардан сақтаңыз.** Аккумулятор түйіспелерінің арасындағы қысқа тұйықталу күйіктерге немесе өртке әкелуі мүмкін.

- ▶ **Дұрыс пайдаланбағандықтан, аккумулятордан сұйықтық ағуы мүмкін. Оған тиімеңіз. Кездейсоқ тигенде, сол жерді сумен шайыңыз. Сұйықтық көзге тисе, медициналық көмек алыңыз.** Аккумулятордағы сұйықтық теріні тітіркендіруі немесе күйдіруі мүмкін.

Қызмет

- ▶ **Электр құралыңызды тек білікті маманға және арнаулы бөлшектермен жөндетіңіз.** Сол арқылы электр құралының қауіпсіздігін сақтайсыз.

Дрельдердің және шуруп бұрауыштардың қауіпсіздік техникасы туралы нұсқаулары**GSB 140-LI/GSB 180-LI**

- ▶ **Перфоратормен жұмыс істеуде құлақ сақтағышын киіңіз.** Шуыл әсерінен есту қабілетіңіз зақымдануы мүмкін.

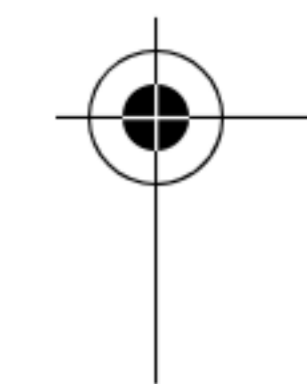
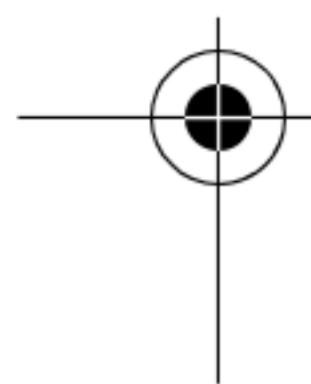
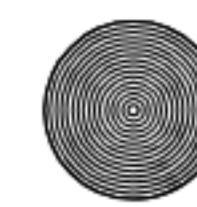
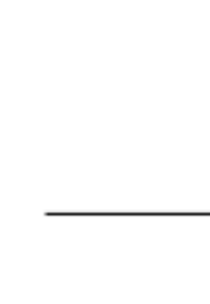
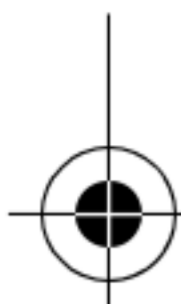
**GSR 140-LI/GSR 180-LI/
GSB 140-LI/GSB 180-LI**

- ▶ **Жұмыс істеген кезде құралды изоляцияланған тұтқаларынан ұстаңыз, өйткені кесетін құрал немесе винт жасырын сымдарға тиіп кетуі мүмкін.** Тоқ өтетін сымға тию металлды құрал бөлшектеріне тоқ беріп тоқ соғуына алып келуі мүмкін.
- ▶ **Электр құралмен бірге жіберілген қосымша тұтқаларды ұстаңыз.** Бақылауды жоғалту зақымдарға алып келуі мүмкін.
- ▶ **Қажетті іздеу құралдарын пайдаланып жасырынған қорек сымдарын табыңыз немесе жергілікті қорек ұйымдарын шақырыңыз.** Электр сымдарына тию өрт немесе тоқ соғуына алып келуі мүмкін. Газ құбырын зақымдау жарылысқа алып келуі мүмкін. Су құбырын зақымдау материалдық зиянға алып келуі мүмкін.
- ▶ **Сыналанса, электр құралын бірден сөндіріңіз. Кері соққыға әкелетін жоғары реакция сәттеріне дайын болыңыз.** Жұмыс құралы келесі жағдайларда тұтығады:
 - электр құралына шамадан тыс жүктеме түскенде немесе
 - өңделіп жатқан бөлшек қисайса.
- ▶ **Электр құралын берік ұстаңыз.** Шуруптарды бұрап бекіту және бұрап босату кезінде қысқаша жоғары мезеттер пайда болуы мүмкін.
- ▶ **Дайындаманы бекітіңіз.** Қысу құралына немесе қысқышқа орнатылған дайындама қолыңызбен салыстырғанда, берік ұсталады.
- ▶ **Электр құралын жерге қоюдан алдын оның тоқтауын күтіңіз.** Алмалы-салмалы аспап ілініп электр құрал бақылауының жоғалтуына алып келуі мүмкін.
- ▶ **Аккумуляторды ашпаңыз.** Қысқа тұйықталу қаупі бар.



Мысалы, аккумуляторды жылудан, сондай-ақ, үздіксіз күн жарығынан, оттан, судан және ылғалдан қорғаңыз. Жарылу қаупі бар.



**30 | Қазақша**

► **Аккумулятордан зақымданған немесе дұрыс пайдаланбаған жағдайда бу шығуы мүмкін. Бұл жағдайда ішке таза ауа кіргізіңіз және шағымдар болса, медициналық көмек алыңыз.** Булар тыныс алу жолдарын тітіркендіруі мүмкін.

► **Аккумуляторды тек Bosch электр құралымен пайдаланыңыз.** Сол арқылы аккумуляторды қауіпті артық жүктеуден сақтайсыз.

► **Шеге немесе бұрауыш сияқты ұшты заттар немесе сыртқы әсер арқылы аккумулятор зақымдануы мүмкін.** Бұл қысқа тұйықталуға алып келіп, аккумулятор жануы, түтін шығаруы, жарылуы немесе қызып кетуі мүмкін.

Өнім және қызмет сипаттамасы**Барлық қауіпсіздік нұсқаулықтарын және ескертпелерді оқыңыз.**

Техникалық қауіпсіздік нұсқаулықтарын және ескертпелерді сақтамау тоқтың соғуына, өрт және/немесе ауыр жарақаттануларға апаруы мүмкін.

Электр құралының суреті бар бетті ашып пайдалану нұсқаулығын оқу кезінде оны ашық ұстаңыз.

Тағайындалу бойынша қолдану

Бұл электр құралын шуруптарды бұрап бекіту және бұрап босату, сондай-ақ, ағаш, металл, сонымен бірге, синтетикалық материалдарды бұрғылауға арналған. GSB қосымша кірпіште, құрылыста және таста перфоратормен жұмыс істеуге арналған.

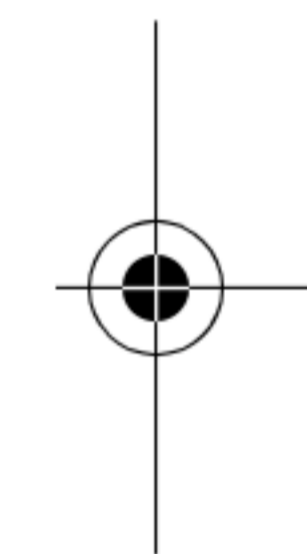
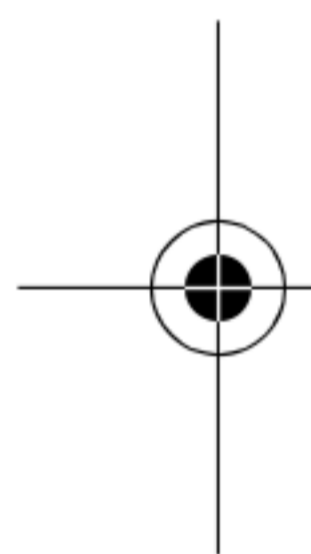
Осы электр құралының жарығы электр құралының тікелей жұмыс жайын жарықтандыруға арналған болып үйде бөлмені жарықтандыруға арналмаған.

Бейнеленген құрамды бөлшектер

Көрсетілген құрамдастар нөмірленген суреттері бар беттегі электр құралының сипаттамасына сай.

- 1 Аспап пантроны
- 2 Тез қысатын бұрғылау патроны
- 3 Айналыру моментін орнату сақинасы
- 4 Пайдалану түрлерінің реттеуіші (GSB 140-LI, GSB 180-LI)
- 5 Беріліс ауыстырып-қосқышы
- 6 Қаптама қақпақ
- 7 Аккумулятор
- 8 Аккумуляторды босату түймесі
- 9 Жұмыс жарықтығы
- 10 Айналу бағытының ауыстырып-қосқышы
- 11 Қосқыш/өшіргіш
- 12 Тұтқа (беті оқшауландырылған)
- 13 Қондырма биталардың әмбебап ұстағышы*
- 14 Көмір қылшақтар

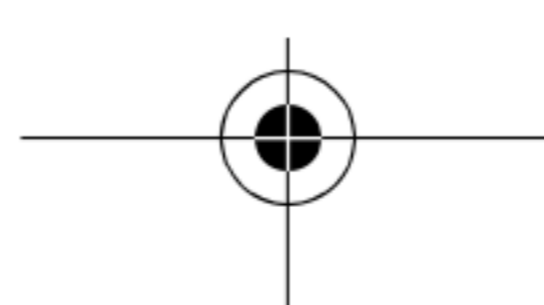
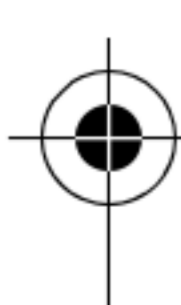
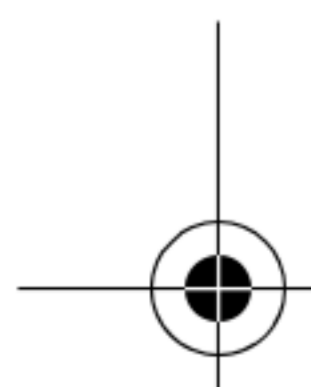
*Бейнеленген немесе сипатталған жабдықтар стандартты жеткізу көлемімен қамтылмайды. Толық жабдықтарды біздің жабдықтар бағдарламамыздан табасыз.

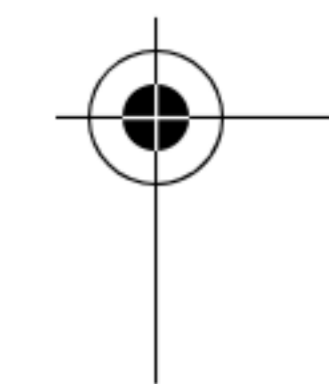
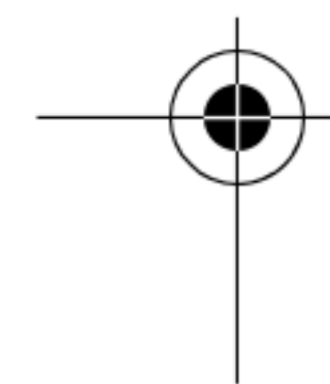
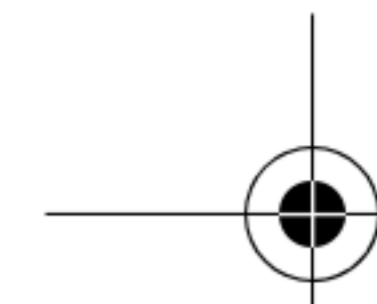
**Техникалық мәліметтер**

Аккумуляторлы бұрауыш		GSR 140-LI	GSR 180-LI	GSB 140-LI	GSB 180-LI
Өнім нөмірі		3 601 JF8 0..	3 601 JF8 1..	3 601 JF8 2..	3 601 JF8 3..
Жұмыс кернеуі	V=	14,4	18	14,4	18
Бос айналу сәті					
– 1-беріліс	мин ⁻¹	0-450	0-450	0-450	0-450
– 2-беріліс	мин ⁻¹	0-1700	0-1700	0-1700	0-1700
Қағулар саны	мин ⁻¹	–	–	0-27 000	0-27 000
ISO 5393 бойынша жұмсақ материалдардағы ең көп айналыру моменті	Нм	18*	21*	18*	21*
ISO 5393 бойынша қатты материалдардағы ең көп айналыру моменті	Нм	50*	54*	50*	54*
макс. бұрғылау Ø (1./2. беріліс)					
– Ағаш	мм	32	35	32	35
– Болат	мм	10	10	10	10
– Құрылыс	мм	–	–	8	10
Аспап пантроны		1,5 - 13	1,5 - 13	1,5 - 13	1,5 - 13

*пайдаланған аккумуляторге байланысты

** < 0 °C температураларда шектелген қуат





Қазақша 31					
Аккумуляторлы бұрауыш		GSR 140-LI	GSR 180-LI	GSB 140-LI	GSB 180-LI
шуруптардың ең үлкен диаметрі	мм	8	10	8	10
ЕРТА-Procedure 01:2014 құжатына сай салмағы	кг	1,3/1,5*	1,3/1,6*	1,3/1,6*	1,3/1,6*
Рұқсат етілген қоршау температурасы					
- зарядтауда	°C	-15... +50	-15... +50	-15... +50	-15... +50
- пайдалану** мен сақтауда	°C	-20... +50	-20... +50	-20... +50	-20... +50
ұсынылған аккумуляторлер		GBA 14,4V..	GBA 18V.. GBA 18V... W	GBA 14,4V..	GBA 18V.. GBA 18V... W
ұсынылатын зарядтау құралдары		AL 1814 CV	AL 1814 CV	AL 1814 CV	AL 1814 CV
индукциялық аккумуляторлар үшін ұсынылған зарядтау құралдары			GAL 18... W		GAL 18... W

*пайдаланған аккумуляторге байланысты
** < 0 °C температураларда шектелген қуат

Шуыл және дірілдеу туралы ақпарат

Шу эмиссиясының мәндері EN 60745-2-1, EN 60745-2-2 бойынша есептелген.

GSR 140-LI / GSB 140-LI

A-мен белгіленген электр құралын шуыл деңгейі әдетте төмендегіге тең: дыбыс күші 89 дБ(A); дыбыс қуаты 100 дБ(A).
Өлшеу дәлсіздігі K = 3 дБ.

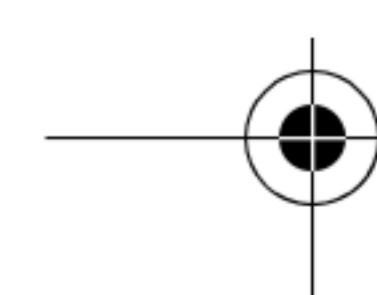
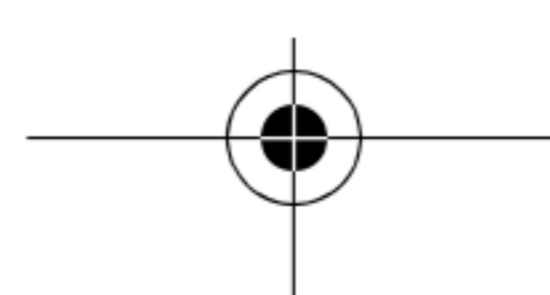
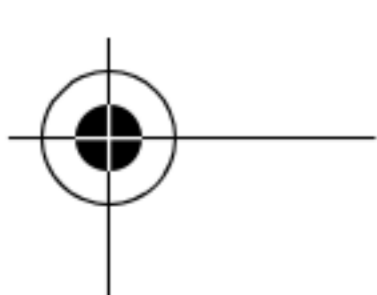
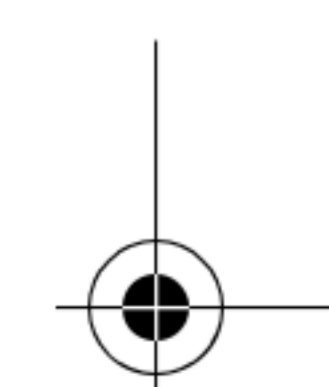
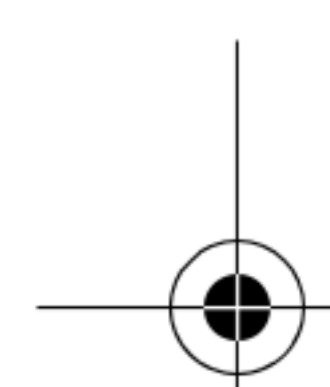
Құлақты қорғау құралдарын киіңіз!

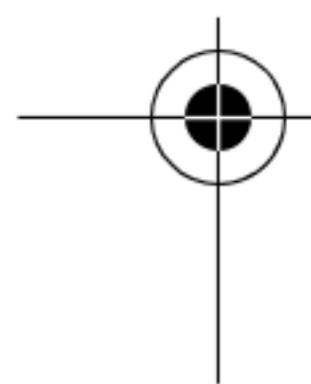
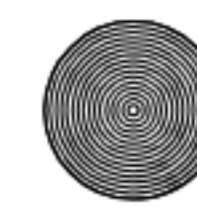
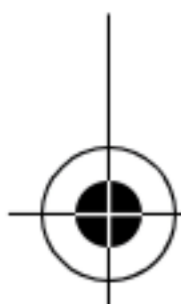
GSR 180-LI / GSB 180-LI

A-мен белгіленген электр құралын шуыл деңгейі әдетте төмендегіге тең: дыбыс күші 88 дБ(A); дыбыс қуаты 99 дБ(A).
Өлшеу дәлсіздігі K = 3 дБ.

Құлақты қорғау құралдарын киіңіз!

		GSR 140-LI	GSR 180-LI	GSB 140-LI	GSB 180-LI
a _h жалпы тербелу мәні (үш бағыттың векторлық қосындысы) және K дәлсіздігі EN 60745-2-1, EN 60745-2-2 стандартына сай анықталған.					
Металды бұрғылау:					
a _h	м/с ²	<2,5	2,5	<2,5	2,5
K	м/с ²	1,5	1,5	1,5	1,5
Бетонда перфораторлық бұрғылау:					
a _h	м/с ²	-	-	7,0	8,0
K	м/с ²	-	-	1,5	1,5
Бұрандалар:					
a _h	м/с ²	<2,5	<2,5	<2,5	<2,5
K	м/с ²	1,5	1,5	1,5	1,5





32 | Қазақша

Осы ескертпелерде берілген дірілдеу пәрмені EN 60745 ережесінде мөлшерленген өлшеу әдісі бойынша есептелген болып электр құралдарды бір-бірімен салыстыру үшін пайдаланылуы мүмкін. Ол дірілдеу қуатын шамалап өлшеу үшін де жарамды.

Берілген діріл көлемі электр құралының негізгі жұмыстары үшін берілген. Егер электр құрал басқа жұмыстар үшін түрлі керек-жарақтармен басқа алмалы-салмалы аспаптар менен немесе жетімсіз күтумен пайдаланылса дірілдеу көлемдері өзгереді. Бұл жұмыс барысындағы діріл қуатын арттырады.

Дірілдеу қуатын нақты есептеу үшін құрал өшірілген және қосылған болып пайдаланылмаған уақыттарды да ескеру қажет. Бұл дірілдеу қуатын бүкіл жұмыс уақытында қатты төмендетеді.

Пайдаланушыны дірілдеу әсерінен сақтау үшін қосымша қауіпсіздік шараларын қолдану қажет, мысалы: электр құралды және алмалы-салмалы аспаптарды күту, қолдарды ыстық ұстау, жұмыс әдістерін ұйымдыстыру.

Жинау

Аккумуляторды зарядтау

Ескертпе: аккумулятор ішінара зарядталған күйде жеткізіледі. Аккумулятордың толық қуатын қамтамасыз ету үшін пайдалану алдында аккумуляторды зарядтау құрылғысында толығымен зарядтаңыз.

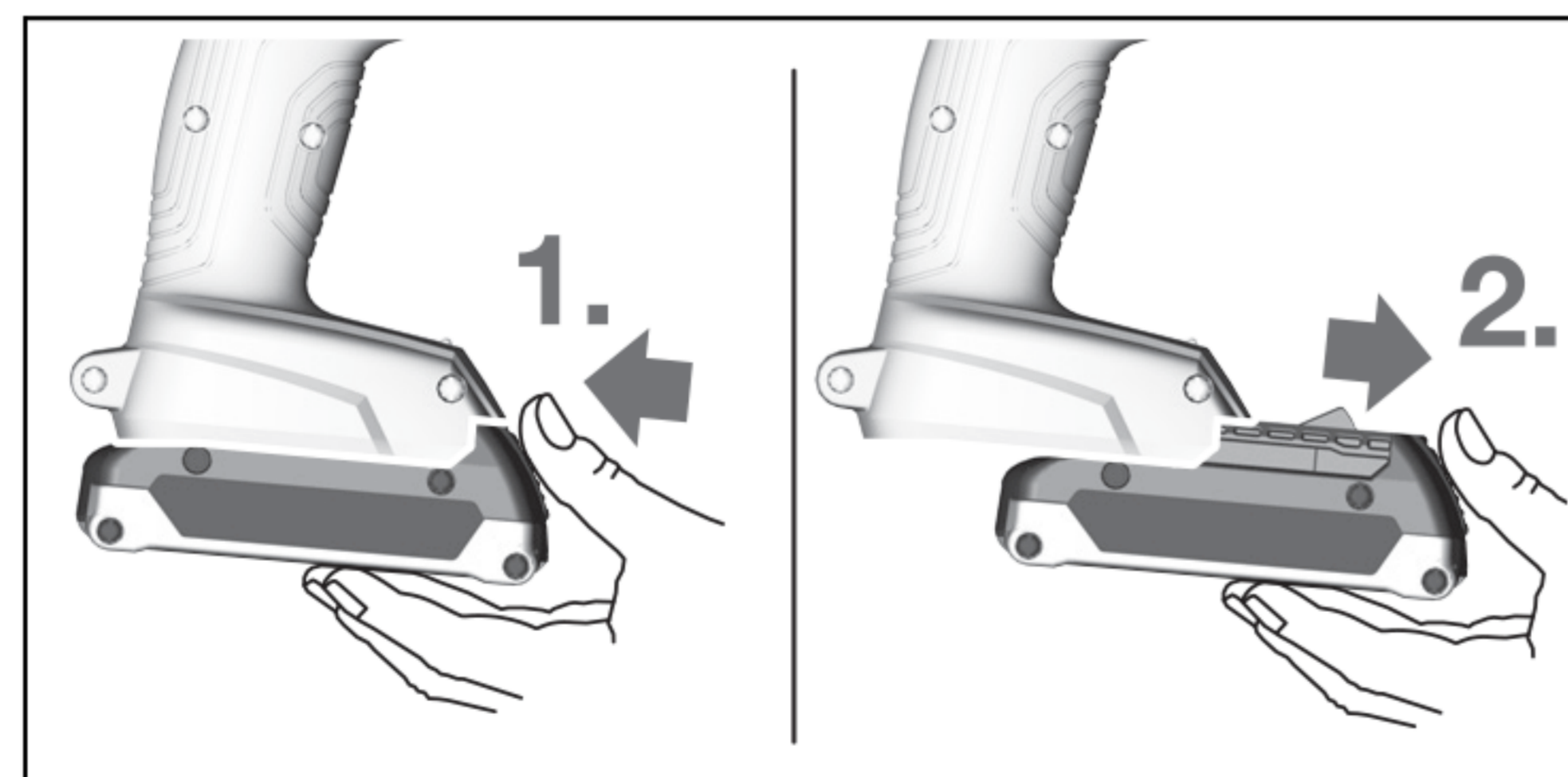
Литий-иондық аккумуляторды пайдалану мерзімін қысқартусыз кез келген уақытта зарядтауға болады. Зарядтау процесін үзу аккумулятордың зақымдалуына әкелмейді.

Литий-иондық аккумулятор “Electronic Cell Protection (ECP)” арқылы терең заряд жоғалтудан қорғалған. Аккумулятор заряды жоқ болса электр құралы қорғаныс схемасы арқылы өшіріледі: алмалы-салмалы аспап басқа қозғалмайды.

▶ **Электр құралы автоматты ретте өшкеннен соң қосқыш/өшіргішті басқа баспаңыз.** Әйтпесе аккумулятор зақымдануы мүмкін.

Аккумуляторды шешу

Аккумулятордың **7** екі бекіту басқышы бар, олар аккумуляторды ашу пернесі **8** кездейсоқ басылып аккумулятор түсіп кетуінен сақтайды. Аккумулятор электр құралында орнатулы болса, оны серіппе жайында ұстап тұрады.



Аккумуляторды **7** шығару үшін ашу пернесін **8** басып, аккумуляторды электр құралынан алға тартып шығарыңыз. **Тартқан кезде күш салмаңыз.**

Жұмыс құралын ауыстыру (А суретін қараңыз)

▶ **Аккумуляторды электр құралмен кез келген жұмыстарды (мысалы, орнату, қызмет көрсету, т.б.) бастау алдында, сондай-ақ, электр құралды тасымалдау және сақтау кезінде шығарыңыз.** Кездейсоқ қосылғанда жарақат алу қаупі бар.

Жылдам тартылатын бұрғылау патронын **2** айналдыру бағытында **1** бұрап аспап орнатылғаныша бұраңыз. Аспапты орнатыңыз.

Жылдам тарту бұрғы патронының **2** төлкесін бұрау бағытында **2** қолмен қатты бұраңыз. Бұрғылау патроны автоматты түрде бекітіледі.

Шаңды және жоңқаларды сору

▶ **Қорғасын бояу, ағаш, минерал және металдың кейбір түрлерінің шаңы денсаулыққа зиян болып, аллергиялық реакция, тыныс алу жолдары ауруларына және рак ауруына алып келуі мүмкін.** Асбестік материал тек қана мамандар арқылы өңделуі мүмкін.

- Жұмыс орнының жақсы желдетілуіне көз жеткізіңіз.
- P2 сүзгі сыныпындағы газқағарды пайдалану ұсынылады.

Өңделетін материалдар үшін еліңізде қолданылатын ұйғарымдарды пайдаланыңыз.

▶ **Жұмыс орнында шаңның жиналуын болдырмаңыз.** Шаң оңай тұтануы мүмкін.

Пайдалану

Пайдалануға ендіру

Аккумуляторды орнату

Ескертпе: Электр құралыңызға арналмаған аккумуляторды пайдалану қате жұмыс істеуіне немесе электр құралының зақымдануына алып келуі мүмкін.

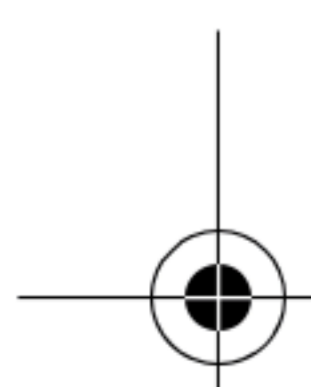
Айналу бағытының ауыстырып-қосқышын **10** ұяшыққа бекітілгенін және ұяшыққа берік тиіп тұрғанын сезгенше салыңыз. Зарядталған аккумуляторды **7** разъемға бекітілгенін және разъемға тығыз тиіп тұрғанын сезгенше салыңыз.

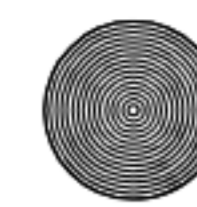
Айналу бағытын орнату (B суретін қараңыз)

Айналу бағытының ауыстырып-қосқышының **10** көмегімен айналу бағытын өлшеуге болады. Бірақ қосқышты/өшіргішті **11** басқанда бұл мүмкін емес.

Оң жаққа айналу бағыты: Бұрғылау және шуруптарды бұрап бекіту үшін айналу бағытының ауыстырып-қосқышын **10** солға тірелгенше басыңыз.

Сол жаққа айналу бағыты: шуруптарды босату немесе бұрап алу үшін айналу бағытының ауыстырып-қосқышын **10** оңға тірелгенше басыңыз.



**Пайдалану түрін орнату****Бұрғылау
GSR 140-LI, GSR 180-LI:**

Бұрау моментін алдын ала таңдау бұрама реттегішін **3** керекті бұрау моментіне реттеңіз.

GSB 140-LI, GSB 180-LI:

Жұмыс түрлерін ауыстырып-қосқышты **4** “Бұрғылау” белгісіне реттеңіз.

**Бұранданы бұрау
GSR 140-LI, GSR 180-LI:**

Бұрау моментін алдын ала реттеу бұрама реттегішін **3** “Бұрау” белгісіне бұраңыз.

GSB 140-LI, GSB 180-LI:

Жұмыс түрлері ауыстырып-қосқышын **4** “Бұрау” белгісіне реттеңіз.

**Перфоратормен жұмыс істеу
(GSR 140-LI, GSB 180-LI)**

Жұмыс түрлері ауыстырып-қосқышын **4** “перфораторлық бұрғылау” белгісіне реттеңіз.

Қосу/өшіру

Электр құралды **қосу** үшін қосқышты/өшіргішті **11** басып тұрыңыз.

Жарық диоды **9** қосқыш/өшіргішті **11** жартылай немесе толық басылғанда жанып жетерлік жарықтық жағдайында бұрап кіргізу жайын жарықтандырады.

Энергия қуатын үнемдеу үшін электр құралын тек пайдаланарда қосыңыз.

Айналу моментін орнату

Қосқышты/өшіргішті **11** басу күшін өзгерте отырып, қосылған құралдың айналымдар санын біртіндеп реттеуге болады.

Қосқышты/өшіргішті **11** жай басқанда, электр құрал төменірек айналымдар санымен жұмыс істейді. Басу күші артқанда айналымдар саны артады.

Айналдыру моментін орнату

Айналдыру моментін орнату сақинасының **3** көмегімен 20 деңгей ішінен қажет айналдыру моментін таңдауға болады. Реттелген бұрау моменті жетілгенде электр құралы тоқтайды.

Берілістің механикалы таңдалуы

- ▶ **Беріліс ауыстырып-қосқышының 5 тоқтауда немесе жұмыс істеп тұрған электр құралында қозғалту мүмкін. Бірақ оны толық жүктелу немесе максималды айналымдар санында қылу мүмкін емес.**

1-жылдамдық

Төмен айналымдар саны; үлкен бұрғылау диаметрлерімен жұмыс істеу үшін.

2-жылдамдық

Жоғары айналымдар саны; кіші бұрғылау диаметрмен бұрғылау үшін.

Температураға байланысты артық жүктеу қорғанысы

Тағайындалу бойынша қолдануда электр құралы артық жүктелмейді. Қатты жүктелуде немесе рұқсат етілген аккумулятор жұмыс температурасының аймағынан артып электр құралы өшіп жарық диод электр құралында жыпылықтайды. Жұмысты жалғастырудан алдын электр құралын суытыңыз.

Терең заряд жоғалту қорғанысы

Литий-иондық аккумулятор “Electronic Cell Protection (ECP)” арқылы терең заряд жоғалтудан қорғалған. Аккумулятор заряды жоқ болса электр құралы қорғаныс схемасы арқылы өшіріледі: алмалы-салмалы аспап басқа қозғалмайды.

Жылдам өшіру

Жылдам өшіру электр құралының дұрыс басқарылуына мүмкіндік береді. Кездейсоқ және күтілмеген ретте электр құралы бұрғы айналасында айналса электр құралы өшеді. Жылдам өшіру электр құралында жарық диод жыпылықтауы арқылы көрсетіледі.

Қайта іске қосу үшін қосқыш/өшіргішті жіберіп қайта пайдаланыңыз.

- ▶ **Жылдам өшу тек электр құралдың максималды жұмыстық айналымдар санымен жұмыс істеп бұрғылау машинасының осінде еркін айналғанда ғана жұмыс істеуі мүмкін.** Ол үшін сәйкес күйді таңдаңыз. Әйтпесе жылдам өшіру қосылмайды.

Пайдалану нұсқаулары

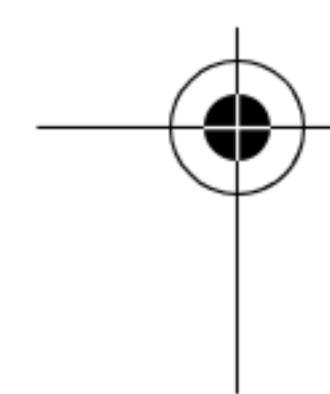
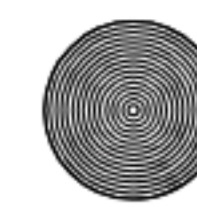
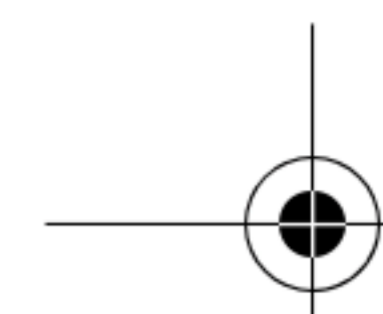
- ▶ **Беріліс ауыстырып-қосқышын немесе пайдалану түрінің ауыстырып-қосқышын тірелгенше жылжытыңыз немесе айналдырыңыз.** Әйтпесе электр құралын зақымдау мүмкін.
- ▶ **Электр құралды шурупқа тек өшірілген күйде қойыңыз.** Айналып жатқан жұмыс құралдары сырғып кетуі мүмкін.

Бұрауыш биталарын немесе әмбебап бита ұстағышын алып тастау үшін көмек сайманды пайдалануға болады.

- ▶ **Шаңы көп қоршауда жұмыс істегенде электр құралы істемей қалуы мүмкін. Егер электр құралы кездейсоқ істемей қалса, көмір қылшықты шешіп оны тексеріңіз (“Көмір қылшақты алмастыру” бөлімін қараңыз).**

Техникалық күтім және қызмет**Қызмет көрсету және тазалау**

- ▶ **Аккумуляторды электр құралмен кез келген жұмыстарды (мысалы, орнату, қызмет көрсету, т.б.) бастау алдында, сондай-ақ, электр құралды тасымалдау және сақтау кезінде шығарыңыз.** Кездейсоқ қосылғанда жарақат алу қаупі бар.
- ▶ **Дұрыс және сенімді істеу үшін электр құралмен желдеткіш тесікті таза ұстаңыз.**

**34 | Қазақша****Көмір қылшақты алмастыру (С суретін қараңыз)**

Көмір қылшақтардың ұзындығын әр 2 – 3 ай сайын тексеріп, керек болса көмір қылшақтарды алмастырыңыз. Ешқашан жалғыз ғана көмір қылшақты алмастырмаңыз!

Ескертпе: Тек Bosch арқылы алынған өніміңізге арналған көмір қылшақтарды пайдаланыңыз.

- Қақпақтарды **6** сәйкес бұрауышпен босатыңыз.
- Серіппе қысымы астында тұрған көмір қылшақтарды **14** алмастырып қақпақтарды қайта бұрап қойыңыз.

Батарея жұмыс істемей жатса, Bosch электр құралдарының өкілетті сервистік орталығына барыңыз.

Тұтынушыға қызмет көрсету және пайдалану кеңестері

Қызмет көрсету шеберханасы өнімді жөндеу және күту, сондай-ақ қосалқы бөлшектер туралы сұрақтарға жауап береді. Қажетті сызбалар мен қосалқы бөлшектер туралы ақпаратты мына мекенжайдан табасыз:

www.bosch-pt.com

Кеңес беруші Bosch қызметкерлері өнімді пайдалану және олардың қосалқы бөлшектері туралы сұрақтарыңызға тиянақты жауап береді.

Сұрақтар қою және қосалқы бөлшектерге тапсырыс беру кезінде міндетті түрде өнімнің зауыттық тақтайшасындағы 10-санды өнім нөмірін жазыңыз.

Өндіруші талаптары мен нормаларының сақталуымен электр құралын жөндеу және кепілді қызмет көрсету барлық мемлекеттер аумағында тек “Роберт Бош” фирмалық немесе авторизацияланған қызмет көрсету орталықтарында орындалады.

ЕСКЕРТУ! Заңсыз жолмен әкелінген өнімдерді пайдалану қауіпті, денсаулығыңызға зиян келтіруі мүмкін. Өнімдерді заңсыз жасау және тарату әкімшілік және қылмыстық тәртіп бойынша Заңмен қудаланады.

Қазақстан

Тұтынушыларға кеңес беру және шағымдарды қабылдау орталығы:

“Роберт Бош” (Robert Bosch) ЖШС

Алматы қ.,

Қазақстан Республикасы

050012

Муратбаев к., 180 үй

“Гермес” БО, 7 қабат

Тел.: +7 (727) 331 31 00

Факс: +7 (727) 233 07 87

E-Mail: ptka@bosch.com

Сервистік қызмет көрсету орталықтары мен қабылдау пунктерінің мекен-жайы туралы толық және өзекті ақпаратты Сіз: www.bosch-professional.kz ресми сайттан ала аласыз

Тасымалдау

Бұл литий-иондық аккумуляторлар қауіпті тауарларға қойылатын талаптарға сай болуы керек. Пайдаланушы аккумуляторларды көшеде қосымша құжаттарсыз тасымалдай алады.

Үшінші тұлғалар (мысалы, әуе көлігі немесе жіберу) орамаға және маркаларға қойылатын арнайы талаптарды сақтау керек. Жіберуге дайындау кезінде қауіпті жүктер маманына хабарласу керек.

Аккумуляторды корпусы зақымдалған болса ғана жіберіңіз. Ашық түйіспелерді желімдеңіз және аккумуляторды орамада қозғалмайтындай ораңыз. Қажет болса, қосымша ұлттық ережелерді сақтаңыз.

Кәдеге жарату

Электр құралдарды, аккумуляторларды, керек-жарақтарды және орау материалдарын экологиялық тұрғыдан дұрыс утилизациялауға тапсыру керек.

Электр құралдарды және аккумуляторларды/батареяларды үй қоқысына тастамаңыз!

Тек қана ЕО елдері үшін:

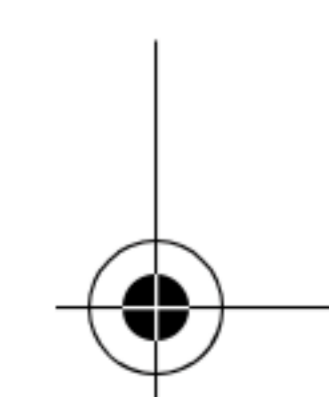
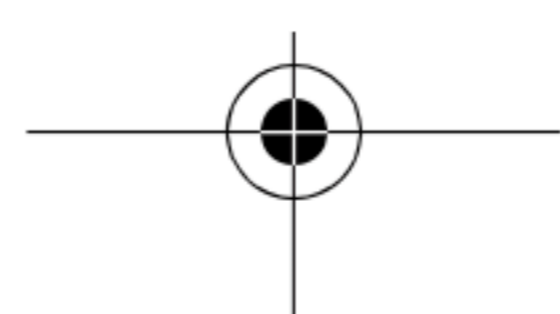
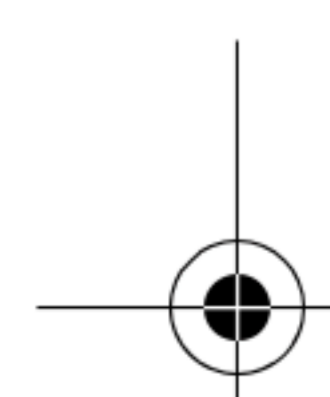
Электр және электрондық ескі құралдар бойынша 2012/19/EU директивасына және 2006/66/EC нормасына сай жарамсыз электр құралдарды, ақаулы немесе пайдаланылған аккумуляторларды/батареяларды бөлек

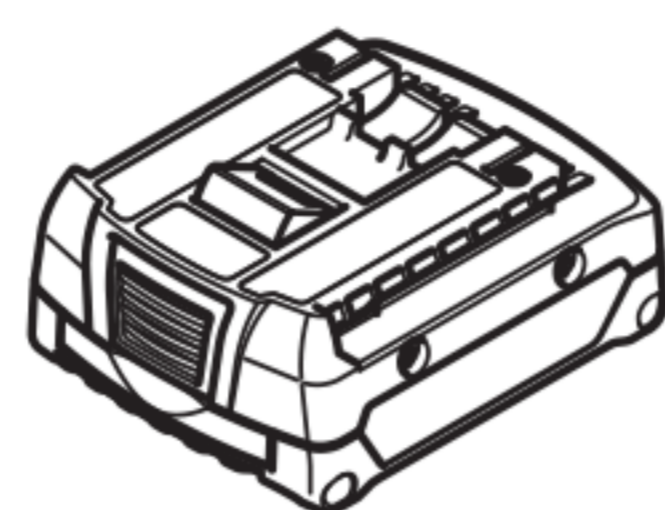
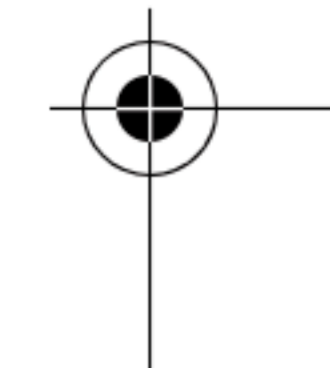
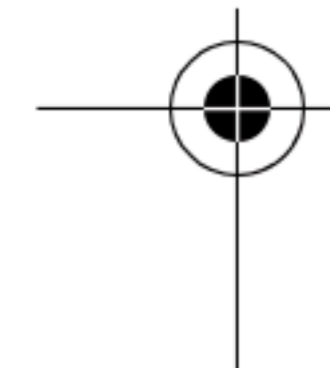
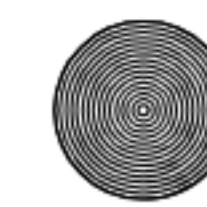
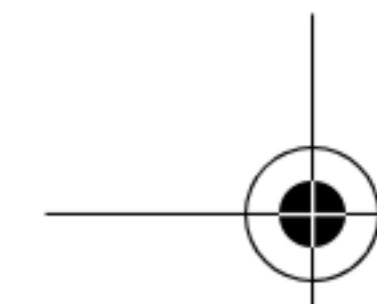
жинау керек және экологиялық тұрғыдан дұрыс утилизациялауға тапсыру керек.

Аккумуляторлар/батареялар:**Литий-иондық:**

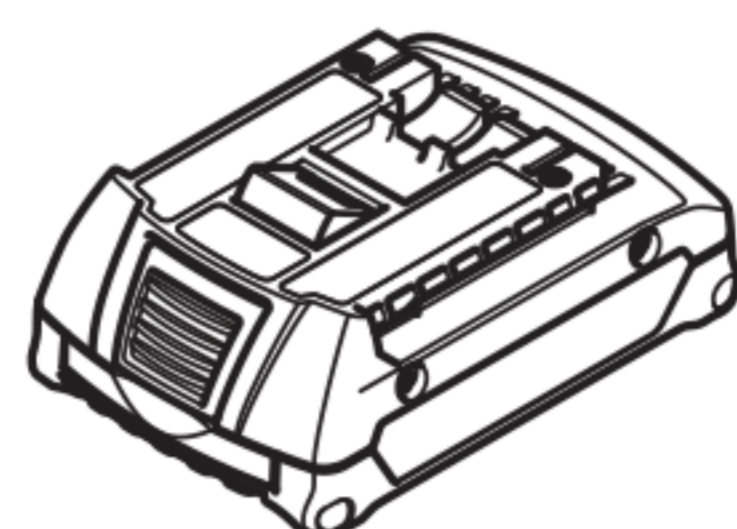
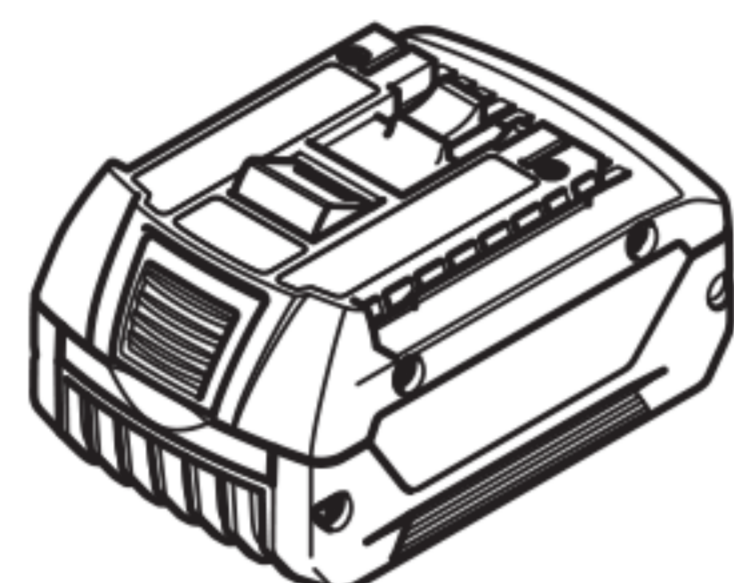
“Тасымалдау” тарауындағы, 34 бетіндегі нұсқауларды орындаңыз.

Техникалық өзгерістер енгізу құқығы сақталады.

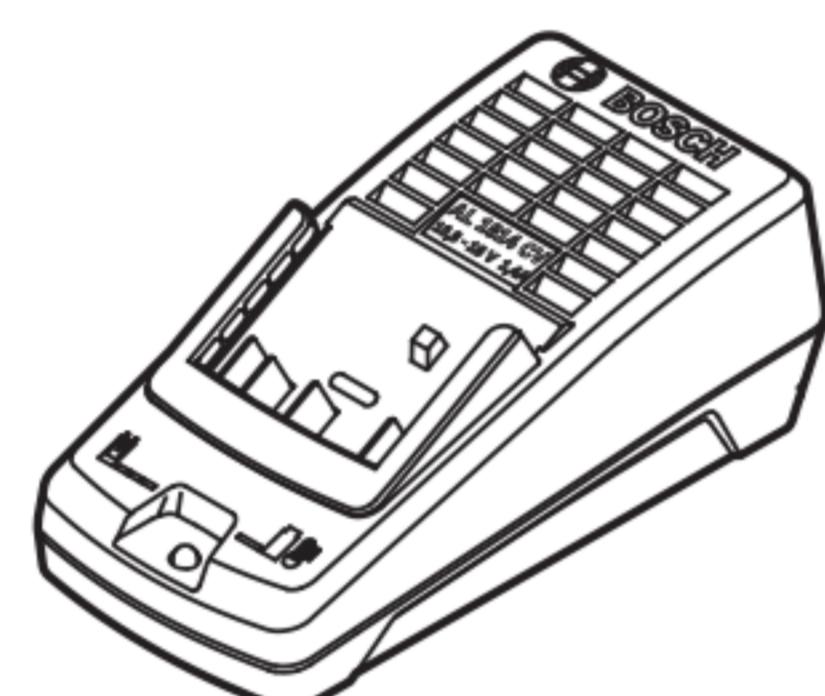




GBA 14,4 V..



**GBA 18 V..
GBA 18V... W**



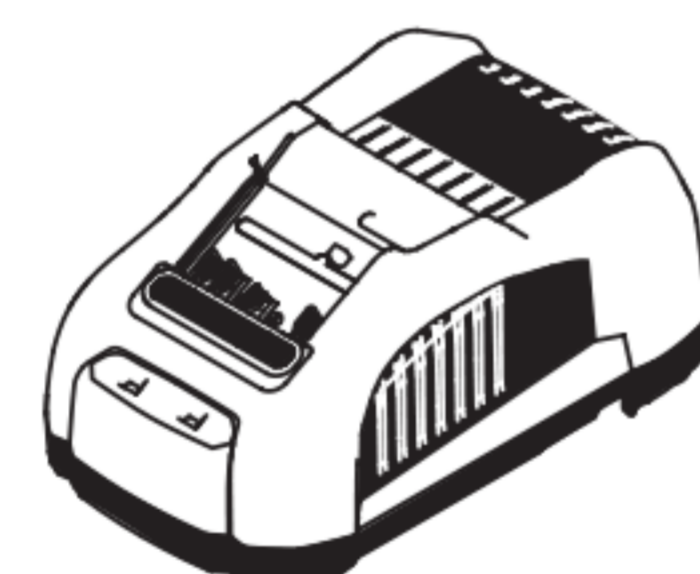
**AL 1814 CV
(14,4 / 18 V)**



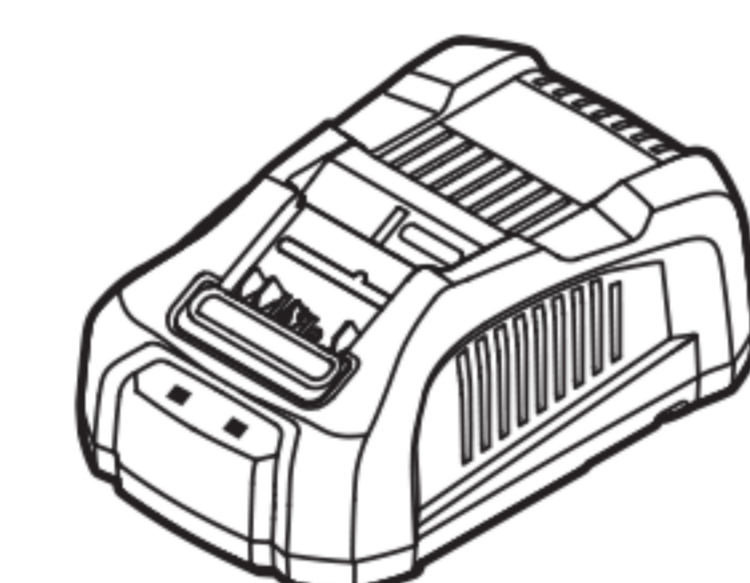
**AL 1820 CV
(14,4 / 18 V)**



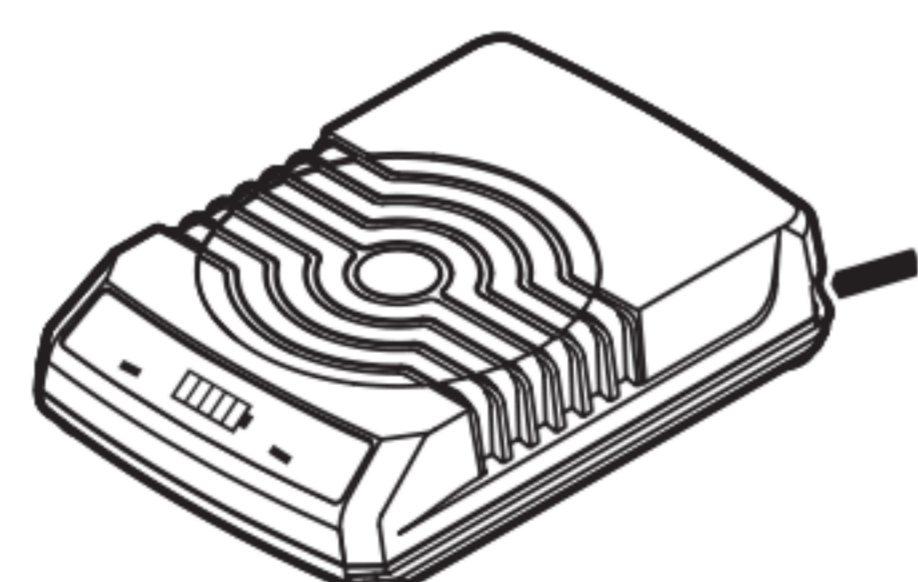
**AL 1860 CV
(14,4 / 18 V)**



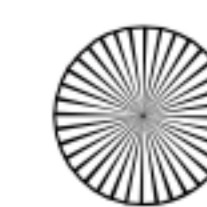
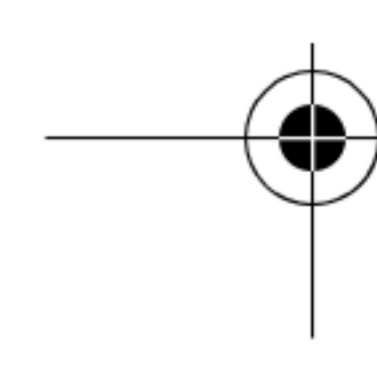
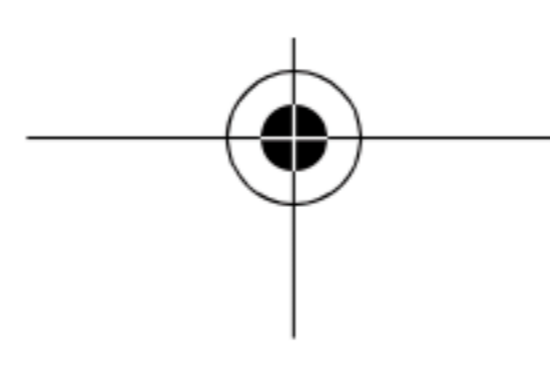
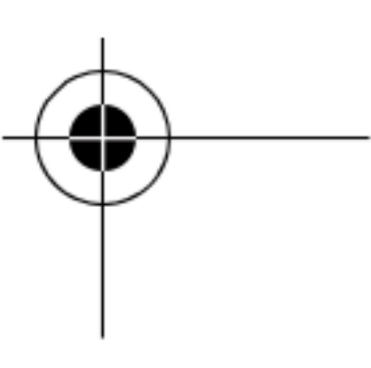
**AL 1880 CV
(14,4 / 18 V)**

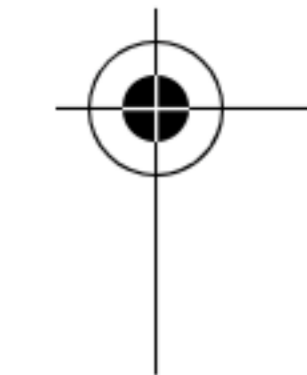
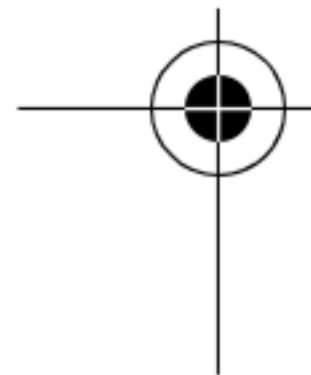
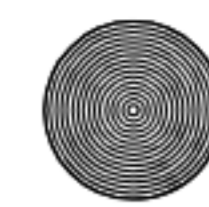
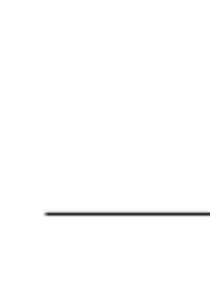


GAL 3680

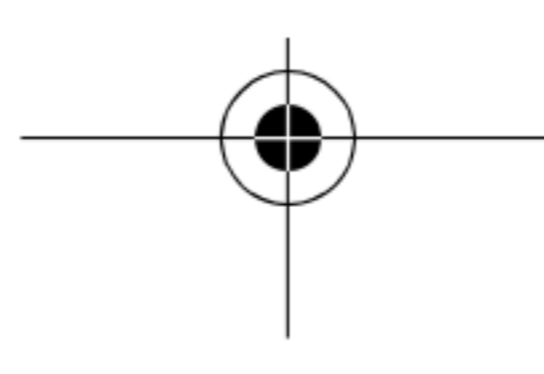
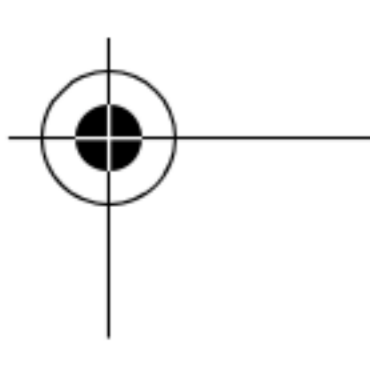
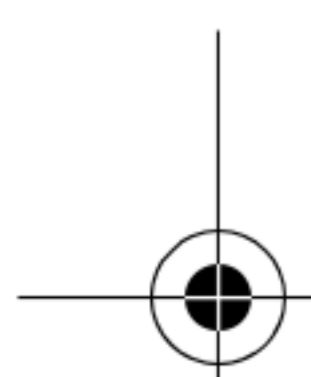


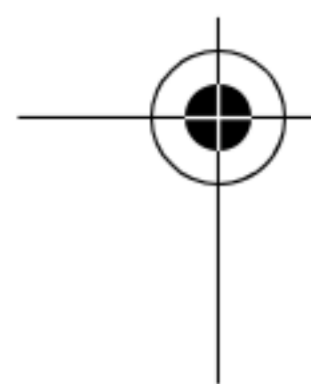
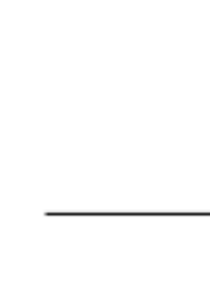
**GAL 1830 W
(18 V)**



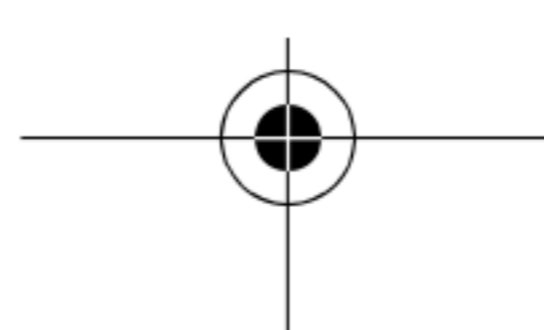
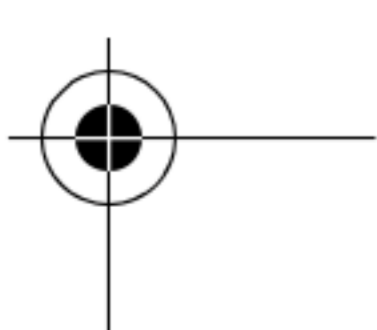
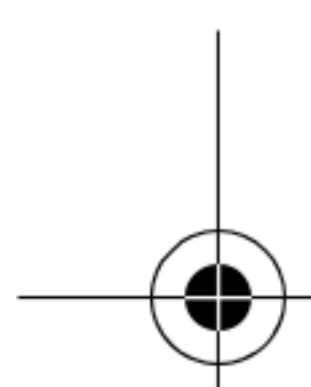
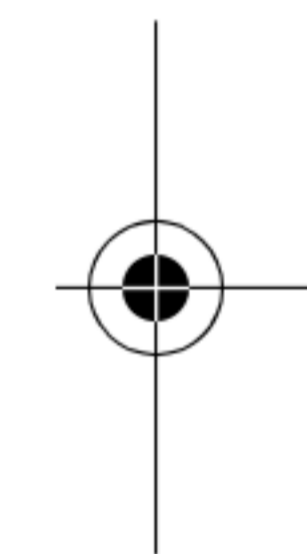
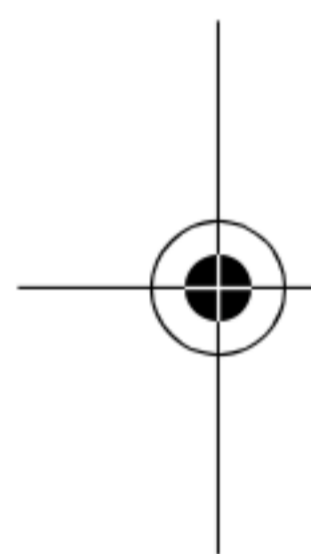


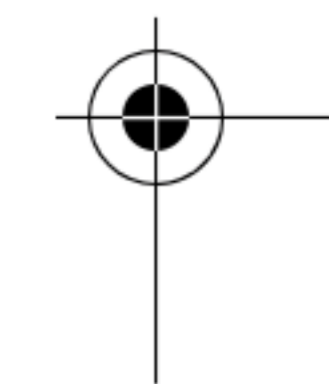
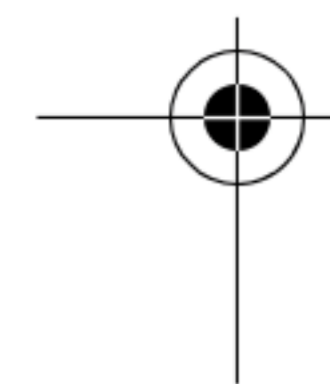
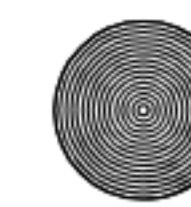
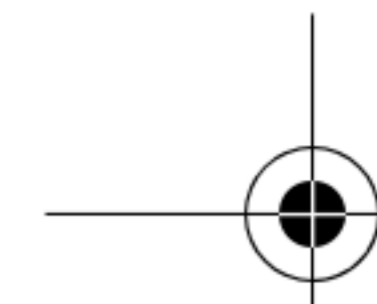
I		CE
de	EU-Konformitätserklärung Akku-Schrauber Sachnummer	Wir erklären in alleiniger Verantwortung, dass die genannten Produkte allen einschlägigen Bestimmungen der nachfolgend aufgeführten Richtlinien und Verordnungen entsprechen und mit folgenden Normen übereinstimmen. Technische Unterlagen bei: *
en	EU Declaration of Conformity Cordless Screwdriver Article number	We declare under our sole responsibility that the stated products comply with all applicable provisions of the directives and regulations listed below and are in conformity with the following standards. Technical file at: *
fr	Déclaration de conformité UE Visseuse sans fil N° d'article	Nous déclarons sous notre propre responsabilité que les produits décrits sont en conformité avec les directives, règlements normatifs et normes énumérés ci-dessous. Dossier technique auprès de : *
es	Declaración de conformidad UE Atornilladora acciona- N° de artículo da por acumulador	Declaramos bajo nuestra exclusiva responsabilidad, que los productos nombrados cumplen con todas las disposiciones correspondientes de las Directivas y los Reglamentos mencionados a continuación y están en conformidad con las siguientes normas. Documentos técnicos de: *
pt	Declaração de Conformidade UE Aparafusadora sem N.º do produto fio	Declaramos sob nossa exclusiva responsabilidade que os produtos mencionados cumprem todas as disposições e os regulamentos indicados e estão em conformidade com as seguintes normas. Documentação técnica pertencente à: *
it	Dichiarazione di conformità UE Avvitatore a batteria Codice prodotto	Dichiariamo sotto la nostra piena responsabilità che i prodotti indicati sono conformi a tutte le disposizioni pertinenti delle Direttive e dei Regolamenti elencati di seguito, nonché alle seguenti Normative. Documentazione Tecnica presso: *
nl	EU-conformiteitsverklaring Accuschroevendraai- Productnummer er	Wij verklaren op eigen verantwoordelijkheid dat de genoemde producten voldoen aan alle desbetreffende bepalingen van de hierna genoemde richtlijnen en verordeningen en overeenstemmen met de volgende normen. Technisch dossier bij: *
da	EU-overensstemmelseserklæring Akku-skruetrækker Typenummer	Vi erklærer som eneansvarlige, at det beskrevne produkt er i overensstemmelse med alle gældende bestemmelser i følgende direktiver og forordninger og opfylder følgende standarder. Tekniske bilag ved: *
sv	EU-konformitetsförklaring Sladdlös skruvdragare- Produktnummer re	Vi förklarar under eget ansvar att de nämnda produkterna uppfyller kraven i alla gällande bestämmelser i de nedan angivna direktiven och förordningarna och att de stämmer överens med följande normer. Teknisk dokumentation: *
no	EU-samsvarserklæring Akku-skrutrekker Produktnummer	Vi erklærer under eneansvar at de nevnte produktene er i overensstemmelse med alle relevante bestemmelser i direktivene og forordningene nedenfor og med følgende standarder. Teknisk dokumentasjon hos: *
fi	EU-vaatimustenmukaisuusvakuutus Akkuruuvinväännin Tuotenumero	Vakuutamme täten, että mainitut tuotteet vastaavat kaikkia seuraavien direktiivien ja asetusten asiaankuuluvia vaatimuksia ja ovat seuraavien standardien vaatimusten mukaisia. Tekniset asiakirjat saatavana: *
el	Δήλωση πιστότητας ΕΕ Δραπανοκατάρβιδο Αριθμός ευρετηρίου μπαταρίας	Δηλώνουμε με αποκλειστική μας ευθύνη, ότι τα αναφερόμενα προϊόντα αντιστοιχούν σε όλες τις σχετικές διατάξεις των πιο κάτω αναφερόμενων οδηγιών και κανονισμών και ταυτίζονται με τα ακόλουθα πρότυπα. Τεχνικά έγγραφα στη: *
tr	AB Uygunluk beyanı Akülü vidalama maki- Ürün kodu nesi	Tek sorumlu olarak, tanımlanan ürünün aşağıdaki yönetmelik ve direktiflerin geçerli bütün hükümlerine ve aşağıdaki standartlara uygun olduğunu beyan ederiz. Teknik belgelerin bulunduğu yer: *



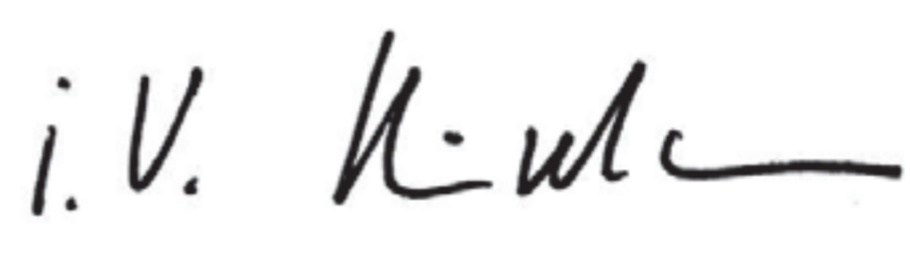




CE		II
pl	Deklaracja zgodności UE Wkrętarka akumulatorowa Numer katalogowy	Oświadczamy z pełną odpowiedzialnością, że niniejsze produkty odpowiadają wszystkim wymaganiom poniżej wyszczególnionych dyrektyw i rozporządzeń, oraz że są zgodne z następującymi normami. Dokumentacja techniczna: *
cs	EU prohlášení o shodě Akumulátorový šroubovák Objednací číslo	Prohlašujeme na výhradní zodpovědnost, že uvedený výrobek splňuje všechna příslušná ustanovení níže uvedených směrnic a nařízení a je v souladu s následujícími normami: Technické podklady u: *
sk	EÚ vyhlásenie o zhode Akumulátorový skrutkovač Vecné číslo	Vyhlasujeme na výhradnú zodpovednosť, že uvedený výrobok spĺňa všetky príslušné ustanovenia nižšie uvedených smerníc a nariadení a je v súlade s nasledujúcimi normami: Technické podklady má spoločnosť: *
hu	EU konformitási nyilatkozat Akkumulátoros csavarozógép Cikkszám	Egyedüli felelősséggel kijelentjük, hogy a megnevezett termékek megfelelnek az alábbiakban felsorolásra kerülő irányelvek és rendeletek valamennyi idevágó előírásainak és megfelelnek a következő szabványoknak. Műszaki dokumentumok megőrzési pontja: *
ru	Заявление о соответствии ЕС Акумуляторный шуруповерт Товарный №	Мы заявляем под нашу единоличную ответственность, что названные продукты соответствуют всем действующим предписаниям нижеуказанных директив и распоряжений, а также нижеуказанных норм. Техническая документация хранится у: *
uk	Заява про відповідність ЄС Акумуляторний шуруповерт Товарний номер	Мизаявляємо під нашу одноособову відповідальність, що названі вироби відповідають усім чинним положенням нищеозначених директив і розпоряджень, а також нищеозначеним нормам. Технічна документація зберігається у: *
kk	EO сәйкестік мағлұмдамасы Акумуляторлы бұрауыш Өнім нөмірі	Өз жауапкершілікпен біз аталған өнімдер төменде жзылған директикалар мен жарлықтардың тиісті қағидаларына сәйкестігін және төмендегі нормаларға сай екенін білдіреміз. Техникалық құжаттар: *
ro	Declarație de conformitate UE Mașină de găurit și înșurubat cu acumulator Număr de identificare	Declarăm pe proprie răspundere că produsele menționate corespund tuturor dispozițiilor relevante ale directivelor și reglementărilor enumerate în cele ce urmează și sunt în conformitate cu următoarele standarde. Documentație tehnică la: *
bg	ЕС декларация за съответствие Акумуляторен винтоверт Каталоген номер	С пълна отговорност ние декларираме, че посочените продукти отговарят на всички валидни изисквания на директивите и разпоредбите по-долу и съответства на следните стандарти. Техническа документация при: *
mk	EU-Изјава за сообразност Батериски одвртувач/зашрафувач Број на дел/артикул	Со целосна одговорност изјавуваме, дека опишаните производи се во согласност со сите релевантни одредби на следните регулативи и прописи и се во согласност со следните норми. Техничка документација кај: *
sr	EU-izjava o usaglašenosti Akku-odvrtač Broj predmeta	Na sopstvenu odgovornost izjavljujemo, da navedeni proizvodi odgovaraju svim dotičnim odredbama naknadno navedenih smernica u uredaba i da su u skladu sa sledećim standardima. Tehnička dokumentacija kod: *
sl	Izjava o skladnosti EU Akumulatorski vijačnik Številka artikla	Izjavljamo pod izključno odgovornostjo, da je omenjen izdelek v skladu z vsemi relevantnimi določili direktiv in uredb ter ustreza naslednjim standardom. Tehnična dokumentacija pri: *
hr	EU izjava o sukladnosti Aku-odvijač Kataloški br.	Pod punom odgovornošću izjavljujemo da navedeni proizvodi odgovaraju svim relevantnim odredbama direktiva i propisima navedenima u nastavku i da su sukladni sa sljedećim normama. Tehnička dokumentacija se može dobiti kod: *





III		CE	
et EL-vastavusdeklaratsioon	Akukruvikeeraja Tootenumber	Kinnitame ainuvastutajatena, et nimetatud tooted vastavad järgnevalt loetletud direktiivide ja määruste kõikidele asjaomastele nõuetele ja on kooskõlas järgmiste normidega. Tehnilised dokumendid saadaval: *	
Iv Deklarācija par atbilstību ES standartiem	Akumulatora skrūvgriezis Izstrādājuma numurs	Mēs ar pilnu atbildību paziņojam, ka šeit aplūkotie izstrādājumi atbilst visiem tālāk minētajās direktīvās un rīkojumos ietvertajām saistošajām nostādņēm, kā arī sekojošiem standartiem. Tehnikā dokumentācija no: *	
It ES atitikties deklarācija	Akumulatorinis suktuvas Gaminio numeris	Atsakingai pareiškiame, kad išvardyti gaminiai atitinka visus privalomus žemiau nurodytų direktyvų ir reglamentų reikalavimus ir šiuos standartus. Techninė dokumentacija saugoma: *	
GSR 140-LI	3 601 JF8 0..	2006/42/EC	EN 60745-1:2009+A11:2010
GSR 180-LI	3 601 JF8 1..	2014/30/EU	EN 60745-2-1:2010
GSB 140-LI	3 601 JF8 2..	2011/65/EU	EN 60745-2-2:2010
GSB 180-LI	3 601 JF8 3..	2009/125/EC (1194/2012)	EN 55014-1:2006+A1:2009+A2:2011 EN 55014-2:1997+A1:2001+A2:2008 EN 50581:2012
		 BOSCH	* Robert Bosch Power Tools GmbH (PT/ECS) 70538 Stuttgart GERMANY
		Henk Becker Executive Vice President Engineering and Manufacturing	Helmut Heinzelmann Head of Product Certification
			
		Robert Bosch Power Tools GmbH, 70538 Stuttgart, GERMANY Stuttgart, 01.01.2017	

