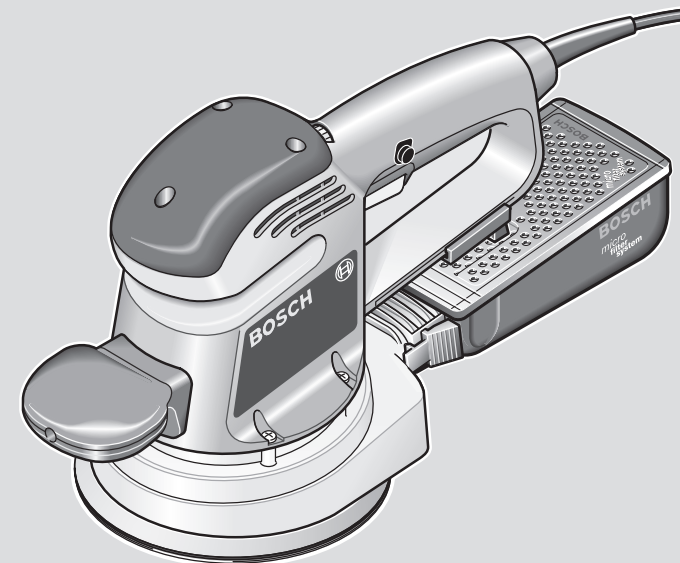




# GEX Professional

HEAVY  
DUTY

34-125 | 34-150



Robert Bosch Power Tools GmbH  
70538 Stuttgart  
GERMANY

[www.bosch-pt.com](http://www.bosch-pt.com)

1 609 92A 5LX (2020.06) 0 / 62

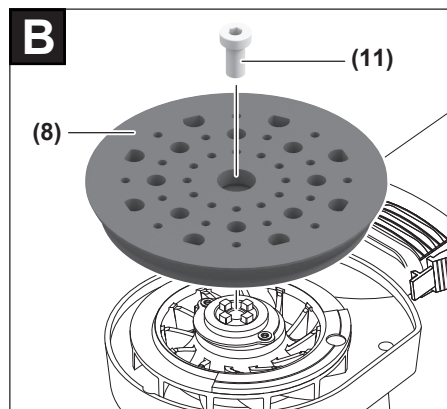
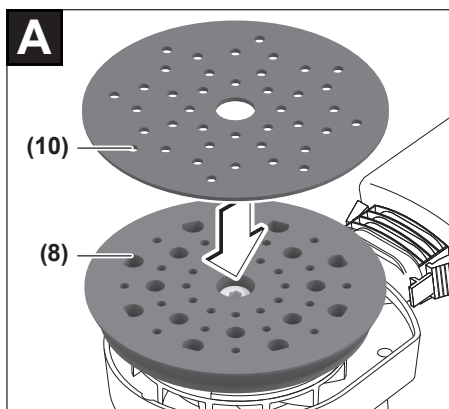
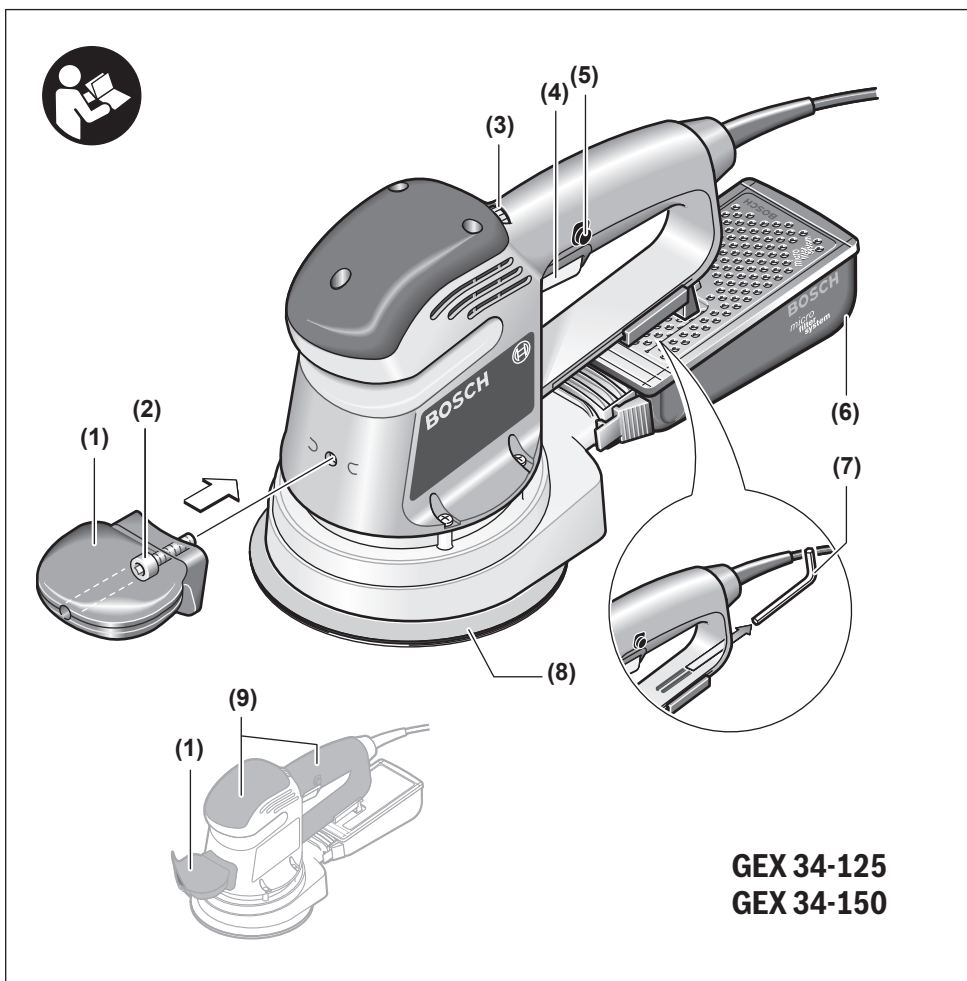


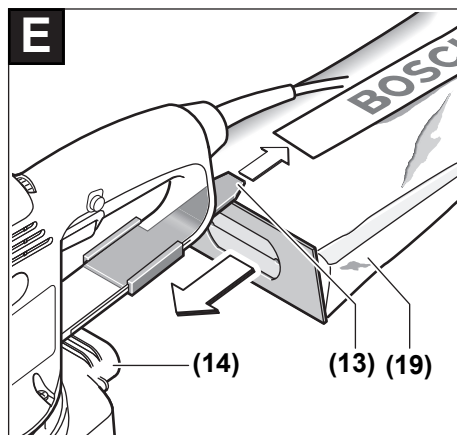
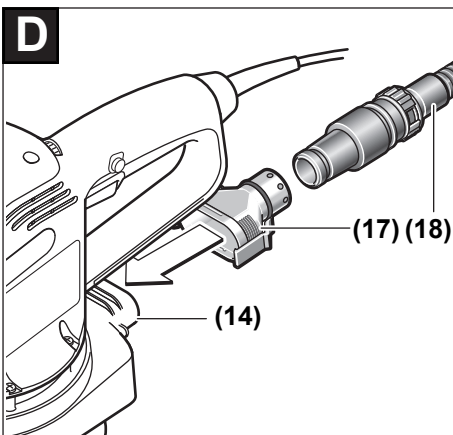
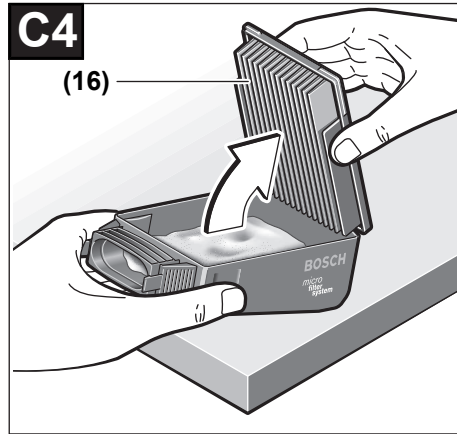
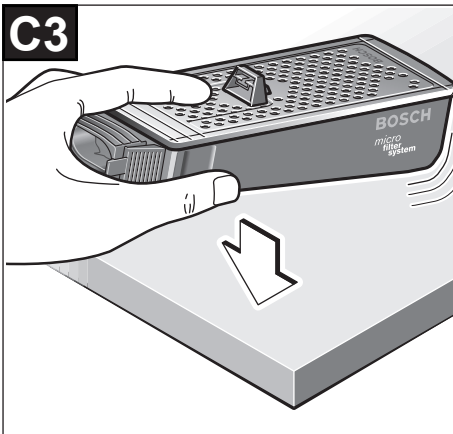
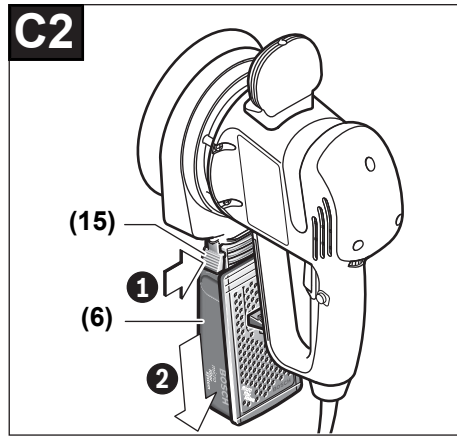
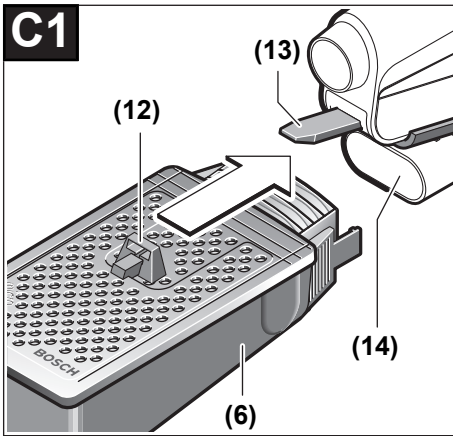
1 609 92A 5LX

- en Original instructions
- fr Notice originale
- pt Manual original
- zh 正本使用说明书
- zh 原始使用說明書
- th หนังสือคู่มือการใช้งานฉบับต้นแบบ
- id Petunjuk-Petunjuk untuk Penggunaan Orisinal
- vi Bản gốc hướng dẫn sử dụng
- ar دليل التشغيل الأصلي
- fa دفترچه راهنمای اصلی



English .....	Page	5
Français .....	Page	12
Português .....	Página	17
中文 .....	頁	22
繁體中文 .....	頁	26
ไทย .....	หน้า	30
Bahasa Indonesia .....	Halaman	36
Tiếng Việt .....	Trang	41
عربي .....	الصفحة	47
فارسی .....	صفحه	53





# English

## Safety instructions

### General Power Tool Safety Warnings

**⚠ WARNING** Read all safety warnings, instructions, illustrations and specifications provided with this power tool. Failure to follow all instructions listed below may result in electric shock, fire and/or serious injury.

**Save all warnings and instructions for future reference.**

The term "power tool" in the warnings refers to your mains-operated (corded) power tool or battery-operated (cordless) power tool.

#### Work area safety

- ▶ **Keep work area clean and well lit.** Cluttered or dark areas invite accidents.
- ▶ **Do not operate power tools in explosive atmospheres, such as in the presence of flammable liquids, gases or dust.** Power tools create sparks which may ignite the dust or fumes.
- ▶ **Keep children and bystanders away while operating a power tool.** Distractions can cause you to lose control.

#### Electrical safety

- ▶ **Power tool plugs must match the outlet. Never modify the plug in any way. Do not use any adapter plugs with earthed (grounded) power tools.** Unmodified plugs and matching outlets will reduce risk of electric shock.
- ▶ **Avoid body contact with earthed or grounded surfaces, such as pipes, radiators, ranges and refrigerators.** There is an increased risk of electric shock if your body is earthed or grounded.
- ▶ **Do not expose power tools to rain or wet conditions.** Water entering a power tool will increase the risk of electric shock.
- ▶ **Do not abuse the cord. Never use the cord for carrying, pulling or unplugging the power tool. Keep cord away from heat, oil, sharp edges or moving parts.** Damaged or entangled cords increase the risk of electric shock.
- ▶ **When operating a power tool outdoors, use an extension cord suitable for outdoor use.** Use of a cord suitable for outdoor use reduces the risk of electric shock.
- ▶ **If operating a power tool in a damp location is unavoidable, use a residual current device (RCD) protected supply.** Use of an RCD reduces the risk of electric shock.

#### Personal safety

- ▶ **Stay alert, watch what you are doing and use common sense when operating a power tool. Do not use a power tool while you are tired or under the influence of drugs, alcohol or medication.** A moment of inatten-

tion while operating power tools may result in serious personal injury.

- ▶ **Use personal protective equipment. Always wear eye protection.** Protective equipment such as a dust mask, non-skid safety shoes, hard hat or hearing protection used for appropriate conditions will reduce personal injuries.
- ▶ **Prevent unintentional starting. Ensure the switch is in the off-position before connecting to power source and/or battery pack, picking up or carrying the tool.** Carrying power tools with your finger on the switch or energising power tools that have the switch on invites accidents.
- ▶ **Remove any adjusting key or wrench before turning the power tool on.** A wrench or a key left attached to a rotating part of the power tool may result in personal injury.
- ▶ **Do not overreach. Keep proper footing and balance at all times.** This enables better control of the power tool in unexpected situations.
- ▶ **Dress properly. Do not wear loose clothing or jewellery. Keep your hair and clothing away from moving parts.** Loose clothes, jewellery or long hair can be caught in moving parts.
- ▶ **If devices are provided for the connection of dust extraction and collection facilities, ensure these are connected and properly used.** Use of dust collection can reduce dust-related hazards.
- ▶ **Do not let familiarity gained from frequent use of tools allow you to become complacent and ignore tool safety principles.** A careless action can cause severe injury within a fraction of a second.

#### Power tool use and care

- ▶ **Do not force the power tool. Use the correct power tool for your application.** The correct power tool will do the job better and safer at the rate for which it was designed.
- ▶ **Do not use the power tool if the switch does not turn it on and off.** Any power tool that cannot be controlled with the switch is dangerous and must be repaired.
- ▶ **Disconnect the plug from the power source and/or remove the battery pack, if detachable, from the power tool before making any adjustments, changing accessories, or storing power tools.** Such preventive safety measures reduce the risk of starting the power tool accidentally.
- ▶ **Store idle power tools out of the reach of children and do not allow persons unfamiliar with the power tool or these instructions to operate the power tool.** Power tools are dangerous in the hands of untrained users.
- ▶ **Maintain power tools and accessories. Check for misalignment or binding of moving parts, breakage of parts and any other condition that may affect the power tool's operation. If damaged, have the power tool repaired before use.** Many accidents are caused by poorly maintained power tools.

- ▶ **Keep cutting tools sharp and clean.** Properly maintained cutting tools with sharp cutting edges are less likely to bind and are easier to control.
- ▶ **Use the power tool, accessories and tool bits etc. in accordance with these instructions, taking into account the working conditions and the work to be performed.** Use of the power tool for operations different from those intended could result in a hazardous situation.
- ▶ **Keep handles and grasping surfaces dry, clean and free from oil and grease.** Slippery handles and grasping surfaces do not allow for safe handling and control of the tool in unexpected situations.

#### Service

- ▶ **Have your power tool serviced by a qualified repair person using only identical replacement parts.** This will ensure that the safety of the power tool is maintained.

#### Safety Warnings for Sander

- ▶ **Only use the power tool for dry sanding.** Water entering a power tool will increase the risk of electric shock.
- ▶ **Ensure that no persons are at risk due to flying sparks. Remove combustible materials from the surrounding area.** Flying sparks are created when sanding metals.
- ▶ **Warning: Danger of fire! Avoid overheating the workpiece and the sander. Always empty the dust collector before taking a break from work.** Sanding dust in the dust bag, microfilter, paper bag (or in the filter bag or vacuum cleaner filter) can spontaneously combust under certain conditions, for example if flying sparks are created when sanding metals. This risk is increased if the sanding dust is mixed with paint or polyurethane residue or with other chemical substances and if the workpiece is hot as a result of prolonged work.
- ▶ **Clean the air vents on your power tool regularly.** The motor's fan will draw the dust inside the housing and excessive accumulation of powdered metal may cause electrical hazards.
- ▶ **Hold the power tool firmly with both hands and make sure you have a stable footing.** The power tool can be more securely guided with both hands.
- ▶ **Always wait until the power tool has come to a complete stop before placing it down.**
- ▶ **Secure the workpiece.** A workpiece clamped with clamping devices or in a vice is held more secure than by hand.

#### Products sold in GB only:

Your product is fitted with an BS 1363/A approved electric plug with internal fuse (ASTA approved to BS 1362).

If the plug is not suitable for your socket outlets, it should be cut off and an appropriate plug fitted in its place by an au-

thorised customer service agent. The replacement plug should have the same fuse rating as the original plug.

The severed plug must be disposed of to avoid a possible shock hazard and should never be inserted into a mains socket elsewhere.

## Product Description and Specifications



#### Read all the safety and general instructions.

Failure to observe the safety and general instructions may result in electric shock, fire and/or serious injury.

Please observe the illustrations at the beginning of this operating manual.

#### Intended Use

The power tool is intended for dry sanding of wood, plastic, metal, filler and varnished surfaces.

Power tools with electronic control are also suitable for polishing.

#### Product features

The numbering of the product features refers to the diagram of the power tool on the graphics page.

- (1) Auxiliary handle (insulated gripping surface) <sup>A)</sup>
- (2) Screw for auxiliary handle <sup>A)</sup>
- (3) Orbital stroke rate preselection thumbwheel
- (4) On/off switch
- (5) Lock-on button for on/off switch
- (6) Complete dust box (Microfilter system) <sup>A)</sup>
- (7) Hex key
- (8) Sanding pad
- (9) Handle (insulated gripping surface)
- (10) Sanding sheet <sup>A)</sup>
- (11) Screw for sanding pad
- (12) Bracket for dust box <sup>A)</sup>
- (13) Plastic slider
- (14) Extraction outlet
- (15) Locking lever for dust box <sup>A)</sup>
- (16) Filter element (Microfilter system) <sup>A)</sup>
- (17) Dust extraction adapter <sup>A)</sup>
- (18) Dust extraction hose <sup>A)</sup>
- (19) Dust bag <sup>A)</sup>

A) **Accessories shown or described are not included with the product as standard. You can find the complete selection of accessories in our accessories range.**

#### Technical data

Random orbit sander	GEX 34-125	GEX 34-125	GEX 34-150	GEX 34-150
Article number	3 601 C72 3..	3 601 C72 3..	3 601 C72 8..	3 601 C72 8..

Random orbit sander		GEX 34-125	GEX 34-125	GEX 34-150	GEX 34-150
Dust box included with product		●	–	●	–
Orbital stroke rate preselection		●	●	●	●
Rated power input	W	340	340	340	340
No-load speed	min <sup>-1</sup>	4500–12,000	4500–12,000	4500–12,000	4500–12,000
No-load orbital stroke rate	min <sup>-1</sup>	9000–24,000	9000–24,000	9000–24,000	9000–24,000
Orbit diameter	mm	5.0	5.0	4.0	4.0
Sanding pad diameter	mm	125	125	150	150
Weight according to EPTA-Procedure 01:2014	kg	2.0	2.0	2.1	2.1
Protection class		□ / II	□ / II	□ / II	□ / II

The specifications apply to a rated voltage [U] of 230 V. These specifications may vary at different voltages and in country-specific models.

## Assembly

- **Pull the plug out of the socket before carrying out any work on the power tool.**

### Changing the sanding sheet (see figure A)

Remove dirt and dust from the sanding pad (8), e.g. with a paintbrush, before attaching a new sanding sheet.

The surface of the sanding pad (8) is fitted with a hook-and-loop fastening, allowing sanding sheets with a similar backing to be secured quickly and easily.

Press the sanding sheet (10) firmly onto the underside of the sanding pad (8).

To ensure optimum dust extraction, make sure that the punched holes in the sanding sheet are aligned with the drilled holes in the sanding pad.

### Selection of the Sanding Plate

The power tool can be fitted with sanding pads of various hardnesses, depending on the application:

- Extra soft sanding pad: Suitable for polishing and sensitive sanding even on curved surfaces
- Soft sanding pad: Suitable for all sanding work, universal application
- Hard sanding pad: Suitable for heavy sanding on flat surfaces

### Changing the sanding pad (see figure B)

**Note:** Replace damaged sanding pads (8) immediately.

Remove the sanding sheet or polishing tool. Unscrew the screw (11) completely and remove the sanding pad (8). Attach the new sanding pad (8) and retighten the screw so that it is finger-tight.

**Note:** Pads with diameters of 150 mm and 125 mm have different carriers. The pads can only be fitted to the right power tool.

**Note:** When attaching the sanding pad, make sure that the teeth of the catch mate with the recesses in the sanding pad.

**Note:** Damaged sanding pads must only be replaced by an after-sales service centre authorised to work with Bosch power tools.

## Dust/chip extraction

The dust from materials such as lead paint, some types of wood, minerals and metal can be harmful to human health. Touching or breathing in this dust can trigger allergic reactions and/or cause respiratory illnesses in the user or in people in the near vicinity.

Certain dusts, such as oak or beech dust, are classified as carcinogenic, especially in conjunction with wood treatment additives (chromate, wood preservative). Materials containing asbestos may only be machined by specialists.

- Use a dust extraction system that is suitable for the material wherever possible.
- Provide good ventilation at the workplace.
- It is advisable to wear a P2 filter class breathing mask.

The regulations on the material being machined that apply in the country of use must be observed.

- **Avoid dust accumulation at the workplace.** Dust can easily ignite.

### Self-generated dust extraction with dust box (see figures C1–C4)

Before fitting the dust box (6), remove the plastic slider (13). Fit the dust box (6) onto the extraction outlet (14) so that it clicks into place. Make sure that the plastic slider (13) is partly within the bracket (12).

To empty the dust box (6), press the locking lever (15) on the side of the dust box (6). Remove the dust box by pulling it downwards (9).

Before opening the dust box (6), knock the dust box against a firm surface as shown in the figure to loosen the dust from the filter element.

Take hold of the dust box (6) by the recessed grip, fold the filter element (16) upwards out of the way and empty the dust box. Use a soft brush to clean the flaps of the filter element (16).

### External dust extraction (see figure D)

Attach the dust extraction adapter (17) to the extraction outlet (14). Make sure that the locking levers of the dust extraction adapter lock into place. A dust extraction hose with a diameter of 19 mm can be connected to the dust extraction adapter (17).

To remove the dust extraction adapter (17), press its locking levers down simultaneously and take off the dust extraction adapter.

The dust extractor must be suitable for the material being worked.

When extracting dry dust that is especially detrimental to health or carcinogenic, use a special dust extractor.

When working on vertical surfaces, hold the power tool with the dust extraction hose facing downwards.

#### Self-generated dust extraction with dust bag (see figure E)

A dust bag (accessory) (19) can be used for smaller jobs.

Before fitting the dust bag (19), remove the plastic slider (13). Firmly attach the dust bag nozzle to the extraction outlet (14). Make sure that the plastic slider (13) is partly within the bracket provided for the dust bag (19).

Empty the dust bag (19) at regular intervals to maintain optimum dust collection.

#### Auxiliary Handle

The auxiliary handle (1) enables comfortable handling and optimum power distribution, with a high sanding removal rate in particular.

Use the screw (2) to secure the auxiliary handle (1) on the housing.

## Operation

### Starting Operation

- ▶ **Pay attention to the mains voltage. The voltage of the power source must match the voltage specified on the rating plate of the power tool. Power tools marked with 230 V can also be operated with 220 V.**
- ▶ **Products that are only sold in AUS and NZ:** Use a residual current device (RCD) with a nominal residual current of 30 mA or less.

### Switching On and Off

- ▶ **Make sure that you are able to press the On/Off switch without releasing the handle.**

To **switch on** the power tool, press and hold the on/off switch (4).

To **lock** the on/off switch (4) press and hold it while also pushing the lock-on button (5).

To **switch off** the power tool, release the on/off switch (4). If the on/off switch (4) is locked, press the switch first and then release it.

### Preselecting the orbital stroke rate

You can even preselect the orbital stroke rate during operation using the necessary orbital stroke rate preselection thumbwheel (3).

- 1–2 Low orbital stroke rate
- 3–4 Medium orbital stroke rate
- 5–6 High orbital stroke rate

The required orbital stroke rate is dependent on the material and the work conditions and can be determined using practical tests.

The Constant Electronic keeps the orbital stroke rate at no load and under load virtually consistent, guaranteeing uniform performance.

After working at a low orbital stroke rate for an extended period, you should operate the power tool at the maximum orbital stroke rate for approximately three minutes without load to cool it down.

### Sanding Plate Brake

An integrated sanding pad brake reduces the orbital stroke rate when running without load to prevent scoring when the power tool is placed on the workpiece.

If the no-load orbital stroke rate constantly increases over time, this means that the sanding pad is damaged and must be replaced, or that the sanding pad brake is worn. A worn sanding pad brake must be replaced by an after-sales service centre authorised to work with Bosch power tools.

### Working Advice

- ▶ **Pull the plug out of the socket before carrying out any work on the power tool.**
- ▶ **Always wait until the power tool has come to a complete stop before placing it down.**
- ▶ **This power tool is not suitable for bench-mounted use.** It must not be clamped into a vice or fastened to a workbench, for example.

### Sanding Surfaces

Switch the power tool on, place the entire sanding surface against the surface of the workpiece and apply moderate pressure as you move the sander over the workpiece.

The material removal rate and sanding result are primarily determined by the choice of sanding sheet, the preselected orbital stroke rate level and the contact pressure.

Only immaculate sanding sheets achieve good sanding performance and make the power tool last longer.

Be sure to apply consistent contact pressure in order to increase the lifetime of the sanding sheets.

Excessively increasing the contact pressure will not lead to increased sanding performance, rather it will cause more severe wear of the power tool and of the sanding sheet.

Do not use a sanding sheet for other materials after it has been used to work on metal.

Use only original **Bosch**-sanding accessories.

### Rough Sanding

Attach a coarse grit sanding sheet.

Apply only light pressure to the power tool so that it runs at a higher orbital stroke rate and a higher material removal rate is achieved.

### Fine Sanding

Attach a fine grit sanding sheet.



You can reduce the sanding plate orbital stroke rate by lightly varying the contact pressure or changing the orbital stroke rate level; the random orbit motion will be retained.

Move the power tool with moderate pressure flat on the workpiece in a circular motion or alternately along and across it. Do not tilt the power tool in order to avoid sanding through the workpiece, e.g. veneers.

Switch the power tool off after completing operation.

### Polishing

For polishing weathered lacquers and redressing scratches (e.g. acrylic glass), the power tool can be fitted with an appropriate polishing tool, e.g. lambswool bonnet, polishing felt or polishing sponge (accessory).

Select a low orbital stroke rate (level 1–2) when polishing in order to avoid heating up the surface excessively.

Apply the polish to an area slightly smaller than the area which you intend to polish. Using the appropriate polishing tool, work in the polish with either linear or circular movements and with moderate pressure.

Do not allow the polish to dry out on the surface; this may damage the surface. Do not expose the surface which you intend to polish to direct sunlight.

Clean the polishing tool regularly to ensure good polishing results. Wash the polishing tools with mild detergent and warm water; do not use thinning agents.

## Maintenance and Service

### Maintenance and Cleaning

- ▶ **Pull the plug out of the socket before carrying out any work on the power tool.**
- ▶ **To ensure safe and efficient operation, always keep the power tool and the ventilation slots clean.**

In order to avoid safety hazards, if the power supply cord needs to be replaced, this must be done by **Bosch** or by an after-sales service centre that is authorised to repair **Bosch** power tools.

### After-Sales Service and Application Service

Our after-sales service responds to your questions concerning maintenance and repair of your product as well as spare parts. You can find explosion drawings and information on spare parts at: [www.bosch-pt.com](http://www.bosch-pt.com)

The Bosch product use advice team will be happy to help you with any questions about our products and their accessories.

In all correspondence and spare parts orders, please always include the 10-digit article number given on the nameplate of the product.

#### Cambodia

Robert Bosch (Cambodia) Co., Ltd  
Unit 8BC, GT Tower, 08th Floor, Street 169,  
Czechoslovakia Blvd, Sangkat Veal Vong  
Khan 7 Makara, Phnom Penh  
VAT TIN: 100 169 511

Tel.: +855 23 900 685

Tel.: +855 23 900 660

[www.bosch.com.kh](http://www.bosch.com.kh)

#### People's Republic of China China Mainland

Bosch Power Tool (China) Co. Ltd.

Bosch Service Center

567, Bin Kang Road

Bin Kang District

Hangzhou, Zhejiang Province

China 310052

Tel.: (0571) 8887 5566 / 5588

Fax: (0571) 8887 6688 x 5566# / 5588#

E-Mail: [bsc.hz@cn.bosch.com](mailto:bsc.hz@cn.bosch.com)

[www.bosch-pt.com.cn](http://www.bosch-pt.com.cn)

#### HK and Macau Special Administrative Regions

Robert Bosch Co. Ltd.

21st Floor, 625 King's Road

North Point, Hong Kong

Customer Service Hotline: +852 2101 0235

E-Mail: [info@hk.bosch.com](mailto:info@hk.bosch.com)

[www.bosch-pt.com.hk](http://www.bosch-pt.com.hk)

#### India

Bosch Service Center

69, Habibullah Road, (Next to PSBB School), T. Nagar

Chennai – 600077

Phone: (044) 64561816

Bosch Service Center

18, Community Center

Phase 1, Mayapuri

New Delhi – 110064

Phone: (011) 43166190

Bosch Service Center

Shop no 7&8, Aspen garden

Walbhat road, Goregaon (E)

Near to Ram Mandir Railway Station

Mumbai – 400063

Mobile: 09819952950

#### Indonesia

PT Robert Bosch

Palma Tower 10th Floor

Jalan RA Kartini Il-S Kaveling 6

Pondok Pinang, Kebayoran Lama

Jakarta Selatan 12310

Tel.: (21) 3005-5800

[www.bosch-pt.co.id](http://www.bosch-pt.co.id)

#### Malaysia

Robert Bosch Sdn. Bhd. (220975-V) PT/SMY

No. 8A, Jalan 13/6

46200 Petaling Jaya

Selangor

Tel.: (03) 79663194

Toll-Free: 1800 880188

Fax: (03) 79583838

E-Mail: [kiathoe.chong@my.bosch.com](mailto:kiathoe.chong@my.bosch.com)

[www.bosch-pt.com.my](http://www.bosch-pt.com.my)

**Pakistan**

Robert Bosch Middle East FZE – Pakistan Liaison Office  
 2nd Floor Plaza # 10, CCA Block, DHA Phase 5  
 Lahore, 54810  
 Phone: +92(303)4444311  
 Email: Faisal.Khan@bosch.com

**Philippines**

Robert Bosch, Inc.  
 11th Floor Ten West Campus  
 20 LeGrand Ave., McKinley West  
 Fort Bonifacio, Taguig City 1634  
 Tel.: (+632) 8703871  
 www.bosch-pt.com.ph

**Singapore**

Powerwell Service Centre Ptd Ltd  
 Bosch Authorised Service Centre (Power Tools)  
 4012 Ang Mo Kio Ave 10, #01-02 TECHplace  
 Singapore 569628  
 Tel.: 6452 1770  
 Fax: 6452 1760  
 E-Mail: ask@powerwellsc.com  
 www.powerwellsc.com  
 www.bosch-pt.com.sg

**Thailand**

Robert Bosch Ltd.  
 FYI Center Tower 1, 5th Floor,  
 2525 Rama IV Road, Klongtoei,  
 Bangkok 10110  
 Tel.: 02 0128888  
 Fax: 02 0645802  
 www.bosch.co.th

Bosch Service – Training Centre  
 La Salle Tower Ground Floor Unit No.2  
 10/11 La Salle Moo 16  
 Srinakharin Road  
 Bangkaew, Bang Plee  
 Samutprakarn 10540  
 Tel.: 02 7587555  
 Fax: 02 7587525

**Vietnam**

Branch of Bosch Vietnam Co., Ltd in HCMC  
 14th floor, Deutsches Haus, 33 Le Duan  
 Ben Nghe Ward, District 1, Ho Chi Minh City  
 Tel.: (028) 6258 3690  
 Fax: (028) 6258 3692 - 6258 3694  
 Hotline: (028) 6250 8555  
 Email: tuvankhachhang-pt@vn.bosch.com  
 www.bosch-pt.com.vn

**Bahrain**

EA Juffali and Brothers for Technical Equipment Company.  
 Kingdom of Bahrain, Al Aker - Block 0624 - Road 2403 -  
 Building 0055D  
 Phone: +97317704537  
 Fax: +973177045257  
 Email: h.berjas@ejb.com.sa

**Egypt**

RBEG-LLC  
 22 Kamal Eldin Hussein  
 Sheraton Heliopolis  
 11799 Cairo  
 E-mail: boschegypt.powertools@eg.bosch.com

**Iran**

Robert Bosch Iran  
 3rd Floor, No 3, Maadiran Building  
 Aftab St., Khodami St., Vanak Sq.  
 Tehran 1994834571  
 Phone: +9821- 86092057

**Iraq**

Sahba Technology Group  
 Al Muthana airport road  
 Baghdad  
 Phone Bagdad: +964 (0) 7 901 930366  
 Phone Dubai: +971 (0) 4 422 1898  
 Email: duraid@sahbatechnology.com

**Jordan**

Roots Arabia – Jordan  
 Al-Hurriyah Street, Al-Muqabalein  
 Amman 11623, Jordan  
 P.O. Box: 110068  
 Tel. : +962 6 4398990  
 E-mail: bosch@rootsjordan.com

**Kuwait**

Shuwaikh Industrial Area, Block 1, Plot 16, Street 3rd  
 P.O. Box 164 – Safat 13002  
 Phone: +965 - 2496 88 88  
 Fax: +965 - 2481 08 79  
 E-mail: josephkr@aaalmutawa.com

**Lebanon**

Tehini Hana & Co. S.A.R.L.  
 P.O. Box 90-449  
 Jdeideh 1202 2040  
 Dora-Beirut  
 Phone: +9611255211  
 Email: service-pt@tehini-hana.com

**Libya**

El Naser for Workshop Tools  
 Swanee Road, Alfalah Area  
 Tripoli  
 Phone: +218 21 4811184

**Oman**

Malatan Trading & Contracting LLC  
 P.O. Box 131, Ruwi, Muscat  
 Postal Code: 112, Sultanate of Oman  
 Phone: +968 2479 4035/4089/4901  
 Mob: +968-91315465  
 Fax: +968 2479 4058  
 E-Mail: sudhirkumar@malatan.net

**Qatar**

International Construction Solutions W L L  
 P. O. Box 51, Doha  
 Phone: +974 40065458

Fax: +974 4453 8585  
Email: [csd@icsdoha.com](mailto:csd@icsdoha.com)

#### **Saudi Arabia**

Juffali Technical Equipment Co. (JTECO)  
P.O.Box: 1049 – Jeddah 21431 – KSA  
Jeddah: 00966 (0) 12 692 0770 – Ext 433  
Riyadh: 00966 (0) 11 409 3976 – Ext-30/34/39  
Dammam: 00966 (0) 13 833 9565  
E-mail: [M.Zreik@eajb.com.sa](mailto:M.Zreik@eajb.com.sa)

#### **Syria**

Dallal Establishment for Power Tools  
Damascus. Baramkeh street - Ibn Amer street,  
Phone: +963112241006 or 009631122414009  
Mobile: 00963991141005  
Email: [rita.dallal@hotmail.com](mailto:rita.dallal@hotmail.com)

#### **United Arab Emirates**

Central Motors & Equipment,  
P.O. Box 26255, Dubai  
Dubai: 00971 (0) 4 3090920/3090930  
Abu Dhabi: 00971 (0) 2 4017745  
Sharjah: 00971 (0) 6 5932777  
Al Ain: 00971 (0) 3 7157419  
E-Mail: [Mallappa.Madari@centralmotors.ae](mailto:Mallappa.Madari@centralmotors.ae)

#### **Yemen**

Abu Alrejal Trading Corporation  
P.O. Box : 17024 , Zubeiry St.  
Sana'a, Yemen  
Tel: +967-1-20 20 10  
Fax: +967-1-47 19 17  
E-mail: [tech-tools@abualrejal.com/yahya@abualrejal.com](mailto:tech-tools@abualrejal.com/yahya@abualrejal.com)

#### **Ethiopia**

Forever plc  
Kebele 2,754, BP 4806,  
Addis Ababa  
Phone: +251 111 560 600  
Email: [foreverplc@ethionet.et](mailto:foreverplc@ethionet.et)

#### **Ghana**

Robert Bosch Ghana Limited  
21 Kofi Annan Road Airport Residential Area Accra  
Tel. +233 (0)3027 94616

#### **Kenya**

Robert Bosch East Africa Ltd  
Mpaka Road P.O. Box 856  
00606 Nairobi

#### **Nigeria**

Robert Bosch Nigeria Ltd.  
52-54 Isaac John Street P.O. Box  
GRA Ikeja – Lagos

#### **Tanzania**

Diesel & Autoelectric Service Ltd.  
117 Nyerere Rd., P.O. Box 70839  
Vingunguti 12109, Dar Es Salaam  
Phone: +255 222 861 793/794

#### **Australia, New Zealand and Pacific Islands**

Robert Bosch Australia Pty. Ltd.  
Power Tools  
Locked Bag 66  
Clayton South VIC 3169  
Customer Contact Center  
Inside Australia:  
Phone: (01300) 307044  
Fax: (01300) 307045  
Inside New Zealand:  
Phone: (0800) 543353  
Fax: (0800) 428570  
Outside AU and NZ:  
Phone: +61 3 95415555  
[www.bosch-pt.com.au](http://www.bosch-pt.com.au)  
[www.bosch-pt.co.nz](http://www.bosch-pt.co.nz)

#### **Myanmar**

Asia Era Company Limited  
No.(40/44), Parami Road, 4th Quarter, South Okkalapa Tsp,  
Yangon, Myanmar

#### **Republic of South Africa Customer service**

Hotline: (011) 6519600

#### **Gauteng – BSC Service Centre**

35 Roper Street, New Centre  
Johannesburg  
Tel.: (011) 4939375  
Fax: (011) 4930126  
E-Mail: [bsctools@icon.co.za](mailto:bsctools@icon.co.za)

#### **KZN – BSC Service Centre**

Unit E, Almar Centre  
143 Crompton Street  
Pinetown  
Tel.: (031) 7012120  
Fax: (031) 7012446  
E-Mail: [bsc.dur@za.bosch.com](mailto:bsc.dur@za.bosch.com)

#### **Western Cape – BSC Service Centre**

Democracy Way, Prosperity Park  
Milnerton  
Tel.: (021) 5512577  
Fax: (021) 5513223  
E-Mail: [bsc@zsd.co.za](mailto:bsc@zsd.co.za)

#### **Bosch Headquarters**

Midrand, Gauteng  
Tel.: (011) 6519600  
Fax: (011) 6519880  
E-Mail: [rbsa-hq.pts@za.bosch.com](mailto:rbsa-hq.pts@za.bosch.com)

#### **Armenia, Azerbaijan, Georgia**

Robert Bosch Ltd.  
David Agmashenebeli ave. 61  
0102 Tbilisi, Georgia  
Tel. +995322510073  
[www.bosch.com](http://www.bosch.com)

### Kyrgyzstan, Mongolia, Tajikistan, Turkmenistan, Uzbekistan

TOO "Robert Bosch" Power Tools, After Sales Service  
Muratbaev Ave., 180  
050012, Almaty, Kazakhstan  
Service Email: service.pt.ka@bosch.com  
Official Website: www.bosch.com, www.bosch-pt.com

### Disposal

The power tool, accessories and packaging should be recycled in an environmentally friendly manner.



Do not dispose of power tools along with household waste.

## Français

### Consignes de sécurité

#### Avertissements de sécurité généraux pour l'outil électrique

##### **AVERTISSEMENT**

**Lire tous les avertissements de sécurité, les instructions, les illustrations et les spécifications fournis**

**avec cet outil électrique.** Ne pas suivre les instructions énumérées ci-dessous peut provoquer un choc électrique, un incendie et/ou une blessure sérieuse.

**Conserver tous les avertissements et toutes les instructions pour pouvoir s'y reporter ultérieurement.**

Le terme "outil électrique" dans les avertissements fait référence à votre outil électrique alimenté par le secteur (avec cordon d'alimentation) ou votre outil électrique fonctionnant sur batterie (sans cordon d'alimentation).

#### Sécurité de la zone de travail

- ▶ **Conserver la zone de travail propre et bien éclairée.** Les zones en désordre ou sombres sont propices aux accidents.
- ▶ **Ne pas faire fonctionner les outils électriques en atmosphère explosive, par exemple en présence de liquides inflammables, de gaz ou de poussières.** Les outils électriques produisent des étincelles qui peuvent enflammer les poussières ou les fumées.
- ▶ **Maintenir les enfants et les personnes présentes à l'écart pendant l'utilisation de l'outil électrique.** Les distractions peuvent vous faire perdre le contrôle de l'outil.

#### Sécurité électrique

- ▶ **Il faut que les fiches de l'outil électrique soient adaptées au socle. Ne jamais modifier la fiche de quelque façon que ce soit. Ne pas utiliser d'adaptateurs avec des outils électriques à branchement de terre.** Des

fiches non modifiées et des socles adaptés réduisent le risque de choc électrique.

- ▶ **Éviter tout contact du corps avec des surfaces reliées à la terre telles que les tuyaux, les radiateurs, les cuisinières et les réfrigérateurs.** Il existe un risque accru de choc électrique si votre corps est relié à la terre.
- ▶ **Ne pas exposer les outils électriques à la pluie ou à des conditions humides.** La pénétration d'eau à l'intérieur d'un outil électrique augmente le risque de choc électrique.
- ▶ **Ne pas maltraiter le cordon. Ne jamais utiliser le cordon pour porter, tirer ou débrancher l'outil électrique. Maintenir le cordon à l'écart de la chaleur, du lubrifiant, des arêtes vives ou des parties en mouvement.** Des cordons endommagés ou emmêlés augmentent le risque de choc électrique.
- ▶ **Lorsqu'on utilise un outil électrique à l'extérieur, utiliser un prolongateur adapté à l'utilisation extérieure.** L'utilisation d'un cordon adapté à l'utilisation extérieure réduit le risque de choc électrique.
- ▶ **Si l'usage d'un outil électrique dans un emplacement humide est inévitable, utiliser une alimentation protégée par un dispositif à courant différentiel résiduel (RCD).** L'usage d'un RCD réduit le risque de choc électrique.

#### Sécurité des personnes

- ▶ **Rester vigilant, regarder ce que vous êtes en train de faire et faire preuve de bon sens dans votre utilisation de l'outil électrique. Ne pas utiliser un outil électrique lorsque vous êtes fatigué ou sous l'emprise de drogues, de l'alcool ou de médicaments.** Un moment d'inattention en cours d'utilisation d'un outil électrique peut entraîner des blessures graves.
- ▶ **Utiliser un équipement de protection individuelle. Toujours porter une protection pour les yeux.** Les équipements de protection individuelle tels que les masques contre les poussières, les chaussures de sécurité antidérapantes, les casques ou les protections auditives utilisés pour les conditions appropriées réduisent les blessures.
- ▶ **Éviter tout démarrage intempestif. S'assurer que l'interrupteur est en position arrêté avant de brancher l'outil au secteur et/ou au bloc de batteries, de le ramasser ou de le porter.** Porter les outils électriques en ayant le doigt sur l'interrupteur ou brancher des outils électriques dont l'interrupteur est en position marche est source d'accidents.
- ▶ **Retirer toute clé de réglage avant de mettre l'outil électrique en marche.** Une clé laissée fixée sur une partie tournante de l'outil électrique peut donner lieu à des blessures.
- ▶ **Ne pas se précipiter. Garder une position et un équilibre adaptés à tout moment.** Cela permet un meilleur contrôle de l'outil électrique dans des situations inattendues.

- ▶ **S'habiller de manière adaptée. Ne pas porter de vêtements amples ou de bijoux. Garder les cheveux et les vêtements à distance des parties en mouvement.** Des vêtements amples, des bijoux ou les cheveux longs peuvent être pris dans des parties en mouvement.
- ▶ **Si des dispositifs sont fournis pour le raccordement d'équipements pour l'extraction et la récupération des poussières, s'assurer qu'ils sont connectés et correctement utilisés.** Utiliser des collecteurs de poussière peut réduire les risques dus aux poussières.
- ▶ **Rester vigilant et ne pas négliger les principes de sécurité de l'outil sous prétexte que vous avez l'habitude de l'utiliser.** Une fraction de seconde d'inattention peut provoquer une blessure grave.

#### Utilisation et entretien de l'outil électrique

- ▶ **Ne pas forcer l'outil électrique. Utiliser l'outil électrique adapté à votre application.** L'outil électrique adapté réalise mieux le travail et de manière plus sûre au régime pour lequel il a été construit.
- ▶ **Ne pas utiliser l'outil électrique si l'interrupteur ne permet pas de passer de l'état de marche à arrêt et inversement.** Tout outil électrique qui ne peut pas être commandé par l'interrupteur est dangereux et il faut le réparer.
- ▶ **Débrancher la fiche de la source d'alimentation et/ou enlever le bloc de batteries, s'il est amovible, avant tout réglage, changement d'accessoires ou avant de ranger l'outil électrique.** De telles mesures de sécurité préventives réduisent le risque de démarrage accidentel de l'outil électrique.
- ▶ **Conserver les outils électriques à l'arrêt hors de la portée des enfants et ne pas permettre à des personnes ne connaissant pas l'outil électrique ou les présentes instructions de le faire fonctionner.** Les outils électriques sont dangereux entre les mains d'utilisateurs novices.
- ▶ **Observer la maintenance des outils électriques et des accessoires. Vérifier qu'il n'y a pas de mauvais alignement ou de blocage des parties mobiles, des pièces cassées ou toute autre condition pouvant affecter le fonctionnement de l'outil électrique. En cas de dommages, faire réparer l'outil électrique avant de l'utiliser.** De nombreux accidents sont dus à des outils électriques mal entretenus.
- ▶ **Garder affûtés et propres les outils permettant de couper.** Des outils destinés à couper correctement entretenus avec des pièces coupantes tranchantes sont moins susceptibles de bloquer et sont plus faciles à contrôler.
- ▶ **Utiliser l'outil électrique, les accessoires et les lames etc., conformément à ces instructions, en tenant compte des conditions de travail et du travail à réaliser.** L'utilisation de l'outil électrique pour des opérations différentes de celles prévues peut donner lieu à des situations dangereuses.

- ▶ **Il faut que les poignées et les surfaces de préhension restent sèches, propres et dépourvues d'huiles et de graisses.** Des poignées et des surfaces de préhension glissantes rendent impossibles la manipulation et le contrôle en toute sécurité de l'outil dans les situations inattendues.

#### Maintenance et entretien

- ▶ **Faire entretenir l'outil électrique par un réparateur qualifié utilisant uniquement des pièces de rechange identiques.** Cela assure le maintien de la sécurité de l'outil électrique.

#### Instructions de sécurité pour meuleuses

- ▶ **N'utilisez l'outil électroportatif que pour effectuer des ponçages à sec.** La pénétration d'eau à l'intérieur d'un outil électroportatif augmente le risque de choc électrique.
- ▶ **Veillez à ce que personne ne se trouve dans la trajectoire des étincelles projetées. Enlevez les matériaux inflammables qui se trouvent à proximité.** Le meulage et le tronçonnage de métaux génèrent des étincelles.
- ▶ **Attention risque d'incendie ! Évitez tout échauffement du matériau poncé et de la ponceuse. Videz toujours le bac à poussière avant de faire une pause de travail.** Les particules de poussière se trouvant dans le sac à poussières, le microfiltre, le sac en papier (ou dans le sac à poussières en tissu ou le filtre de l'aspirateur) peuvent s'enflammer d'elles-mêmes dans des conditions défavorables, par exemple en cas de projection d'étincelles lors du ponçage de pièces en métal. Ceci notamment lorsque des particules de poussières sont mélangées à des résidus de vernis, de polyuréthane ou d'autres substances chimiques et que les matériaux travaillés sont très chauds après avoir été travaillés pendant une période assez longue.
- ▶ **Nettoyez régulièrement les ouïes d'aération de l'outil électroportatif.** Le ventilateur du moteur attire la poussière à l'intérieur du carter et une accumulation excessive de poussière de métal accroît le risque de choc électrique.
- ▶ **Lors du travail, tenez fermement l'outil électroportatif des deux mains et veillez à toujours garder une position de travail stable.** Avec les deux mains, l'outil électroportatif est guidé en toute sécurité.
- ▶ **Avant de poser l'outil électroportatif, attendez que celui-ci soit complètement à l'arrêt.**
- ▶ **Bloquez la pièce à travailler.** Une pièce à travailler serrée par des dispositifs de serrage appropriés ou dans un étau est fixée de manière plus sûre que quand elle est tenue avec une main.

## Description des prestations et du produit



**Lisez attentivement toutes les instructions et consignes de sécurité.** Le non-respect des instructions et consignes de sécurité peut provoquer un choc électrique, un incendie et/ou entraîner de graves blessures.

Référez-vous aux illustrations qui se trouvent à l'avant de la notice d'utilisation.

### Utilisation conforme

L'outil électroportatif est conçu pour le ponçage à sec de surfaces en bois, matières plastiques, métal, mastic et surfaces vernies.

Les outils électroportatifs disposant d'une régulation électronique sont également appropriés au polissage.

### Éléments constitutifs

La numérotation des éléments de l'appareil se réfère à la représentation de l'outil électroportatif sur la page graphique.

- (1) Poignée supplémentaire (surface de préhension isolée)<sup>A)</sup>

- (2) Vis pour poignée supplémentaire<sup>A)</sup>  
 (3) Molette de présélection de vitesse d'oscillation  
 (4) Interrupteur Marche/Arrêt  
 (5) Bouton de blocage de l'interrupteur Marche/Arrêt  
 (6) Boîtier microfiltre<sup>A)</sup>  
 (7) Clé mâle pour vis à six pans creux  
 (8) Plateau de ponçage  
 (9) Poignée (surface de préhension isolante)  
 (10) Disque abrasif<sup>A)</sup>  
 (11) Vis du plateau de ponçage  
 (12) Élément de fixation du boîtier microfiltre<sup>A)</sup>  
 (13) Curseur plastique  
 (14) Tubulure d'aspiration  
 (15) Levier de blocage du boîtier microfiltre<sup>A)</sup>  
 (16) Élément filtrant (système microfiltre)<sup>A)</sup>  
 (17) Adaptateur d'aspiration<sup>A)</sup>  
 (18) Flexible d'aspiration<sup>A)</sup>  
 (19) Sac à poussière<sup>A)</sup>

A) Les accessoires décrits ou illustrés ne sont pas tous compris dans la fourniture. Vous trouverez les accessoires complets dans notre gamme d'accessoires.

### Caractéristiques techniques

Ponceuse excentrique		GEX 34-125	GEX 34-125	GEX 34-150	GEX 34-150
Référence		3 601 C72 3..	3 601 C72 3..	3 601 C72 8..	3 601 C72 8..
Boîtier microfiltre fourni avec l'outil		●	–	●	–
Présélection de la vitesse d'oscillation		●	●	●	●
Puissance absorbée nominale	W	340	340	340	340
Régime à vide	tr/min	4 500–12 000	4 500–12 000	4 500–12 000	4 500–12 000
Vitesse d'oscillation à vide	min <sup>-1</sup>	9 000–24 000	9 000–24 000	9 000–24 000	9 000–24 000
Diamètre d'amplitude	mm	5,0	5,0	4,0	4,0
Diamètre du plateau de ponçage	mm	125	125	150	150
Poids selon EPTA-Procédure 01:2014	kg	2,0	2,0	2,1	2,1
Indice de protection		□/II	□/II	□/II	□/II

Les données indiquées sont valables pour une tension nominale [U] de 230 V. Elles peuvent varier lorsque la tension diffère de cette valeur et sur certaines versions destinées à certains pays.

## Montage

- **Débranchez le câble d'alimentation de la prise avant d'effectuer des travaux quels qu'il soient sur l'outil électroportatif.**

### Changement de disque abrasif (voir figure A)

Avant de monter un nouveau disque abrasif, éliminez les poussières et saletés qui se trouvent sur le plateau de ponçage (8) à l'aide d'un pinceau p. ex.

La surface du plateau de ponçage (8) est pourvue d'un revêtement auto-agrippant permettant de fixer rapidement et facilement des disques abrasifs à système auto-agrippant. Pressez fermement le disque abrasif (10) contre le plateau de ponçage (8).

Pour garantir une bonne aspiration des poussières, faites coïncider les perforations du disque abrasif et du plateau de ponçage.

## Choix du plateau de ponçage

Il est possible de monter sur l'outil électroportatif des plateaux de ponçage de différentes duretés, selon l'application envisagée :

- Plateau de ponçage extra souple : pour le polissage et le ponçage de précision, également sur les surfaces bombées.
- Plateau de ponçage souple : pour tous les travaux de ponçage, usage universel.
- Plateau de ponçage dur : pour disposer d'une grande capacité d'enlèvement lors du ponçage de surfaces planes.

## Changement de plateau de ponçage (voir figure B)

**Remarque :** Remplacez immédiatement un plateau de ponçage (8) endommagé.

Retirez le disque abrasif ou l'outil de polissage. Dévissez la vis (11) complètement et retirez le plateau de ponçage (8). Mettez en place le nouveau plateau de ponçage (8) et resserrez fermement la vis.

**Note :** Les dentures sont différentes pour les plaquettes de Ø 150 et de Ø 125. Les plaquettes ne peuvent être montées que sur l'outil électroportatif approprié.

**Remarque :** Lors de la mise en place du plateau de ponçage, veillez à ce que la denture du dispositif d'entraînement s'engage dans les évidements du plateau de ponçage.

**Remarque :** Confiez impérativement le remplacement d'un porte-plateau de ponçage endommagé à un centre SAV pour outillage électroportatif Bosch agréé.

## Aspiration de poussières/de copeaux

Les poussières de matériaux tels que peintures contenant du plomb, certains bois, minéraux ou métaux, peuvent être nuisibles à la santé. Le contact avec les poussières ou leur inhalation peut entraîner des réactions allergiques et/ou des maladies respiratoires auprès de l'utilisateur ou des personnes se trouvant à proximité.

Certaines poussières telles que les poussières de chêne ou de hêtre sont considérées comme cancérigènes, surtout en association avec des additifs pour le traitement du bois (chromate, lasure). Les matériaux contenant de l'amiante ne doivent être travaillés que par des personnes qualifiées.

- Si possible, utilisez un dispositif d'aspiration des poussières approprié au matériau.
- Veillez à bien aérer la zone de travail.
- Il est recommandé de porter un masque respiratoire avec un niveau de filtration de classe P2.

Respectez les règlements spécifiques aux matériaux à traiter en vigueur dans votre pays.

► **Évitez toute accumulation de poussières sur le lieu de travail.** Les poussières peuvent facilement s'enflammer.

## Aspiration des poussières avec un boîtier microfiltre (voir figures C1–C4)

Avant de monter le boîtier microfiltre (6), tirez le curseur plastique (13). Emboîtez le boîtier microfiltre (6) sur la tu-

bulure d'aspiration (14) jusqu'à ce qu'il s'enclenche. Veillez ce faisant à ce que le curseur plastique (13) s'engage dans la fixation (12).

Pour vider le boîtier microfiltre (6), appuyez sur les leviers de blocage (15) se trouvant sur le côté du boîtier microfiltre (6). Retirez le boîtier microfiltre vers le bas (2).

Avant d'ouvrir le boîtier microfiltre (6), il est recommandé de le tapoter contre une surface solide afin de détacher les poussières de l'élément filtrant.

Saisissez le boîtier microfiltre (6) au niveau de la poignée, rabattez l'élément filtrant (16) vers le haut et videz le boîtier. Nettoyez les lamelles de l'élément filtrant (16) à l'aide d'une brosse douce.

## Aspiration des poussières avec un aspirateur (voir figure D)

Placez l'adaptateur d'aspiration (17) sur la tubulure d'aspiration (14). Veillez à ce que les leviers de blocage de l'adaptateur d'aspiration s'enclenchent. Il est possible de raccorder à l'adaptateur d'aspiration (17) un tuyau d'aspiration de 19 mm de diamètre.

Pour retirer l'adaptateur d'aspiration (17), pressez les leviers de blocage et tirez.

L'aspirateur doit être conçu pour le type de matériau à poncer.

Pour l'aspiration de poussières particulièrement nuisibles à la santé, cancérigènes ou sèches, utilisez un aspirateur spécial.

Lors d'une utilisation sur des surfaces verticales, tenez l'outil électroportatif de sorte que le tuyau d'aspiration soit dirigé vers le bas.

## Aspiration des poussières avec un sac à poussière (voir figure E)

Pour de petits travaux, il est possible de monter un sac à poussière (accessoire) (19).

Avant de monter le sac à poussière (19), tirez le curseur plastique (13). Emboîtez le sac à poussière sur la tubulure d'aspiration (14). Veillez ce faisant à ce que le curseur plastique (13) s'engage dans la fixation (19) prévue du sac à poussière.

Vider à temps le sac à poussière (19) afin de toujours disposer d'une puissance d'aspiration optimale.

## Poignée supplémentaire

La poignée supplémentaire (1) permet une très bonne prise en main et un guidage optimal de l'outil, surtout pour les travaux de ponçage grossier.

Fixez la poignée supplémentaire (1) sur le carter de l'outil avec la vis (2).

## Utilisation

### Mise en marche

- **Tenez compte de la tension du réseau ! La tension de la source de courant doit correspondre aux indications se trouvant sur la plaque signalétique de l'outil**

**électroportatif. Les outils électroportatifs marqués 230 V peuvent également fonctionner sur 220 V.**

#### Mise en marche/arrêt

##### ► Assurez-vous de pouvoir actionner l'interrupteur Marche/Arrêt sans avoir à relâcher la poignée.

Pour **mettre en marche** l'outil électroportatif, appuyez sur l'interrupteur Marche/Arrêt **(4)** et maintenez-le enfoncé.

Pour **bloquer** l'interrupteur Marche/Arrêt **(4)**, maintenez-le enfoncé et appuyez en même temps sur le bouton de blocage **(5)**.

Pour **arrêter** l'outil électroportatif, relâchez l'interrupteur Marche/Arrêt **(4)**. Si l'interrupteur Marche/Arrêt **(4)** est bloqué, appuyez d'abord dessus puis relâchez-le.

#### Présélection de la vitesse d'oscillation

La molette de présélection **(3)** permet de présélectionner la vitesse d'oscillation voulue, même en cours de fonctionnement.

- 1 – 2 faible vitesse d'oscillation
- 3 – 4 vitesse d'oscillation moyenne
- 5 – 6 vitesse d'oscillation élevée

La vitesse d'oscillation requise dépend du type de matériau et des conditions de travail. Elle peut être déterminée par des essais pratiques.

La constante électronique permet de maintenir la vitesse d'oscillation presque constante quelle que soit la charge, et d'obtenir ainsi des performances toujours identiques.

Après avoir travaillé avec une petite vitesse d'oscillation pendant une période relativement longue, faites tourner l'outil électroportatif à vide à la vitesse d'oscillation maximale pendant une durée de 3 minutes environ afin qu'il refroidisse.

#### Frein de plateau de ponçage

Le frein intégré au plateau de ponçage réduit la vitesse d'oscillation à vide, afin d'éviter de rayer la pièce lors du positionnement de l'outil électroportatif sur la pièce.

Une vitesse d'oscillation à vide qui augmente continuellement au fil du temps indique que le plateau de ponçage est endommagé, et qu'il doit être remplacé, ou bien que le frein du plateau de ponçage est usé. Le remplacement d'un frein de plateau de ponçage usé doit impérativement être confié à un centre SAV pour outillage électroportatif Bosch agréé.

#### Instructions d'utilisation

- **Débranchez le câble d'alimentation de la prise avant d'effectuer des travaux quels qu'il soient sur l'outil électroportatif.**
- **Avant de poser l'outil électroportatif, attendez que celui-ci soit complètement à l'arrêt.**
- **Cet outil électroportatif n'est pas conçu pour une utilisation stationnaire.** Ne le serrez pas dans un étau et ne le fixez pas à un établi.

#### Ponçage de surfaces

Mettez l'outil électroportatif en marche, posez-le de sorte que toute la surface de ponçage de l'abrasif soit en contact

avec la pièce et déplacez-le sur la pièce en exerçant une pression modérée.

La capacité d'enlèvement de matière ainsi que l'état de surface obtenu dépendent essentiellement du disque abrasif choisi, de la vitesse d'oscillation présélectionnée et de la pression exercée.

Seuls des disques abrasifs en parfait état assurent de bons résultats et ménagent l'outil électroportatif.

Veillez à toujours exercer une pression régulière, afin d'augmenter la durée de vie des disques abrasifs.

Une pression trop élevée n'améliore pas les performances de ponçage mais augmente considérablement l'usure de l'outil électroportatif et du disque abrasif.

Un disque abrasif utilisé pour poncer du métal ne doit ensuite pas être utilisé pour poncer d'autres matériaux.

N'utilisez que des accessoires de ponçage **Bosch** d'origine.

#### Ponçage grossier

Utilisez un disque abrasif à gros grains.

N'exercez qu'une légère pression sur l'outil électroportatif afin qu'il tourne à une vitesse d'oscillation plus élevée et afin d'obtenir un meilleur enlèvement de matière.

#### Ponçage de finition

Montez un disque abrasif à grains fins.

En faisant varier légèrement la pression exercée ou en sélectionnant une autre vitesse d'oscillation, il est possible de réduire la vitesse d'oscillation du plateau de ponçage tout en continuant à bénéficier du mouvement excentrique.

Tout en appliquant une pression modérée, déplacez l'outil électroportatif sur la pièce en effectuant des mouvements circulaires ou en alternant les passes longitudinales et transversales. Ne penchez pas l'outil électroportatif afin de ne pas marquer ou percer la pièce (p. ex. panneaux de bois replaqués).

Une fois le travail terminé, arrêtez l'outil électroportatif.

#### Polissage

Pour raviver les peintures ternies par les intempéries ou faire disparaître des rayures (p. ex. sur du verre acrylique), il est possible de monter sur l'outil des accessoires de ponçage, tels que disque en peau de mouton, feutre ou éponge à polir (non fournis).

Pour le polissage, sélectionnez une faible vitesse d'oscillation (position 1–2), afin d'éviter tout échauffement excessif de la surface.

Appliquez le produit lustrant sur une surface plus petite que celle que vous voulez polir. Étalez le produit lustrant à l'aide d'un accessoire de polissage approprié en effectuant des mouvements croisés ou circulaires et en exerçant une pression modérée.

Ne laissez pas sécher le produit lustrant sur la surface, celle-ci pourrait être endommagée. N'exposez pas la surface à polir directement au soleil.

Pour obtenir de bons résultats de polissage, nettoyez régulièrement les accessoires de polissage utilisés. Lavez les accessoires de polissage avec un détergent doux et de l'eau chaude, n'utilisez pas de diluants.



## Entretien et Service après-vente

### Nettoyage et entretien

- ▶ **Débranchez le câble d'alimentation de la prise avant d'effectuer des travaux quels qu'il soient sur l'outil électroportatif.**
- ▶ **Tenez toujours propres l'outil électroportatif ainsi que les fentes de ventilation afin d'obtenir un travail impeccable et sûr.**

Dans le cas où il s'avère nécessaire de remplacer le câble d'alimentation, confiez le remplacement à **Bosch** ou une station de Service Après-Vente agréée pour outillage **Bosch** afin de ne pas compromettre la sécurité.

### Service après-vente et conseil utilisateurs

Notre Service après-vente répond à vos questions concernant la réparation et l'entretien de votre produit et les pièces de rechange. Vous trouverez des vues éclatées et des informations sur les pièces de rechange sur le site : [www.bosch-pt.com](http://www.bosch-pt.com)

L'équipe de conseil utilisateurs Bosch se tient à votre disposition pour répondre à vos questions concernant nos produits et leurs accessoires.

Pour toute demande de renseignement ou toute commande de pièces de rechange, précisez impérativement la référence à 10 chiffres figurant sur l'étiquette signalétique du produit.

#### Algérie

Siestal  
Zone Industrielle Ihaddaden  
06000 Bejaia  
Tel. : +213 (0) 982 400 991/2  
Fax : +213 (0) 3 420 1569  
E-Mail : sav@siestal-dz.com

#### Maroc

Robert Bosch Morocco SARL  
53, Rue Lieutenant Mahroud Mohamed  
20300 Casablanca  
Tel.: +212 5 29 31 43 27  
E-Mail : sav.outillage@ma.bosch.com

#### Tunisie

Robert Bosch Tunisie SARL  
7 Rue Ibn Battouta Z.I. Saint Gobain  
Mégrine Riadh  
2014 Ben Arous  
Tél. : +216 71 427 496/879  
Fax : +216 71 428 621  
E-Mail : sav.outillage@tn.bosch.com

#### Côte d'Ivoire

Rimco  
ZONE 3, 9 RUE DU CANAL  
01 BP V230, Abidjan 01  
Tel. : +225 21 25 93 38

#### Sénégal

Bernabé  
Km 2,5 – Bd du Centenaire de la Commune de Dakar  
B.P. 2098 DAKAR  
Tel. : +221 33 849 01 01  
Fax : +221 33 823 34 20

### Élimination des déchets

Les outils électroportatifs, ainsi que leurs accessoires et emballages, doivent pouvoir suivre chacun une voie de recyclage appropriée.



Ne jetez pas les outils électroportatifs avec les ordures ménagères !

## Português

### Instruções de segurança

#### Instruções gerais de segurança para ferramentas eléctricas

##### ⚠ AVISO

**Devem ser lidas todas as indicações de segurança, instruções, ilustrações e especificações desta**

**ferramenta eléctrica.** O desrespeito das instruções apresentadas abaixo poderá resultar em choque eléctrico, incêndio e/ou ferimentos graves.

#### **Guarde bem todas as advertências e instruções para futura referência.**

O termo "ferramenta eléctrica" utilizado a seguir nas indicações de advertência, refere-se a ferramentas eléctricas operadas com corrente de rede (com cabo de rede) e a ferramentas eléctricas operadas com acumulador (sem cabo de rede).

#### Segurança da área de trabalho

- ▶ **Mantenha a sua área de trabalho sempre limpa e bem iluminada.** Desordem ou áreas de trabalho insuficientemente iluminadas podem levar a acidentes.
- ▶ **Não trabalhar com a ferramenta eléctrica em áreas com risco de explosão, nas quais se encontrem líquidos, gases ou pós inflamáveis.** Ferramentas eléctricas produzem faíscas, que podem inflamar pós ou vapores.
- ▶ **Manter crianças e outras pessoas afastadas da ferramenta eléctrica durante a utilização.** No caso de distração é possível que perca o controlo sobre o aparelho.

#### Segurança eléctrica

- ▶ **A ficha de conexão da ferramenta eléctrica deve caber na tomada. A ficha não deve ser modificada de maneira alguma. Não utilizar uma ficha de adaptação junto com ferramentas eléctricas protegidas por**

**ligação à terra.** Fichas não modificadas e tomadas apropriadas reduzem o risco de um choque eléctrico.

- ▶ **Evitar que o corpo possa entrar em contacto com superfícies ligadas à terra, como tubos, aquecimentos, fogões e frigoríficos.** Há um risco elevado devido a um choque eléctrico, se o corpo estiver ligado à terra.
- ▶ **Manter o aparelho afastado de chuva ou humidade.** A infiltração de água numa ferramenta eléctrica aumenta o risco de choque eléctrico.
- ▶ **Não deverá utilizar o cabo para outras finalidades. Nunca utilizar o cabo para transportar a ferramenta eléctrica, para pendurá-la, nem para puxar a ficha da tomada. Manter o cabo afastado do calor, do óleo, de arestas afiadas ou de peças em movimento.** Cabos danificados ou emaranhados aumentam o risco de um choque eléctrico.
- ▶ **Se trabalhar com uma ferramenta eléctrica ao ar livre, só deverá utilizar cabos de extensão apropriados para áreas exteriores.** A utilização de um cabo de extensão apropriado para áreas exteriores reduz o risco de um choque eléctrico.
- ▶ **Se não for possível evitar o funcionamento da ferramenta eléctrica em áreas húmidas, deverá ser utilizado um disjuntor de corrente de avaria.** A utilização de um disjuntor de corrente de avaria reduz o risco de um choque eléctrico.

#### Segurança de pessoas

- ▶ **Esteja atento, observe o que está a fazer e tenha prudência ao trabalhar com a ferramenta eléctrica. Não utilizar uma ferramenta eléctrica quando estiver fatigado ou sob a influência de drogas, álcool ou medicamentos.** Um momento de descuido ao utilizar a ferramenta eléctrica, pode levar a lesões graves.
- ▶ **Utilizar equipamento de protecção individual. Utilizar sempre óculos de protecção.** A utilização de equipamento de protecção pessoal, como máscara de protecção contra pó, sapatos de segurança antiderrapantes, capacete de segurança ou protecção auricular, de acordo com o tipo e aplicação da ferramenta eléctrica, reduz o risco de lesões.
- ▶ **Evitar uma colocação em funcionamento involuntária. Assegure-se de que a ferramenta eléctrica esteja desligada, antes de conectá-la à alimentação de rede e/ou ao acumulador, antes de levantá-la ou de transportá-la.** Se tiver o dedo no interruptor ao transportar a ferramenta eléctrica ou se o aparelho for conectado à alimentação de rede enquanto estiver ligado, poderão ocorrer acidentes.
- ▶ **Remover ferramentas de ajuste ou chaves de boca antes de ligar a ferramenta eléctrica.** Uma ferramenta ou chave que se encontre numa parte do aparelho em movimento pode levar a lesões.
- ▶ **Evite uma posição anormal. Mantenha uma posição firme e mantenha sempre o equilíbrio.** Desta forma é

mais fácil controlar a ferramenta eléctrica em situações inesperadas.

- ▶ **Usar roupa apropriada. Não usar roupa larga nem jóias. Mantenha os cabelos e roupas afastados de peças em movimento.** Roupas frouxas, cabelos longos ou jóias podem ser agarrados por peças em movimento.
- ▶ **Se for possível montar dispositivos de aspiração ou de recolha, assegure-se de que estejam conectados e utilizados correctamente.** A utilização de uma aspiração de pó pode reduzir o perigo devido ao pó.
- ▶ **Não deixe que a familiaridade resultante de uma utilização frequente de ferramentas permita que você se torne complacente e ignore os princípios de segurança da ferramenta.** Uma acção descuidada pode causar ferimentos graves numa fracção de segundo.

#### Utilização e manuseio cuidadoso de ferramentas eléctricas

- ▶ **Não sobrecarregue a ferramenta eléctrica. Utilize a ferramenta eléctrica apropriada para o seu trabalho.** É melhor e mais seguro trabalhar com a ferramenta eléctrica apropriada na área de potência indicada.
- ▶ **Não utilizar uma ferramenta eléctrica com um interruptor defeituoso.** Uma ferramenta eléctrica que não pode mais ser ligada nem desligada, é perigosa e deve ser reparada.
- ▶ **Puxar a ficha da tomada e/ou remover o acumulador, se amovível, antes de executar ajustes na ferramenta eléctrica, de substituir acessórios ou de guardar as ferramentas eléctricas.** Esta medida de segurança evita o arranque involuntário da ferramenta eléctrica.
- ▶ **Guardar ferramentas eléctricas não utilizadas fora do alcance de crianças e não permitir que as pessoas que não estejam familiarizadas com o aparelho ou que não tenham lido estas instruções utilizem o aparelho.** Ferramentas eléctricas são perigosas se forem utilizadas por pessoas inexperientes.
- ▶ **Tratar a ferramenta eléctrica e os acessórios com cuidado. Controlar se as partes móveis do aparelho funcionam perfeitamente e não emperram, e se há peças quebradas ou danificadas que possam prejudicar o funcionamento da ferramenta eléctrica. Permitir que peças danificadas sejam reparadas antes da utilização.** Muitos acidentes têm como causa, a manutenção insuficiente de ferramentas eléctricas.
- ▶ **Manter as ferramentas de corte afiadas e limpas.** Ferramentas de corte cuidadosamente tratadas e com cantos de corte afiados emperram com menos frequência e podem ser conduzidas com maior facilidade.
- ▶ **Utilizar a ferramenta eléctrica, acessórios, ferramentas de aplicação, etc. conforme estas instruções. Considerar as condições de trabalho e a tarefa a ser executada.** A utilização de ferramentas eléctricas para outras tarefas a não ser as aplicações previstas, pode levar a situações perigosas.
- ▶ **Mantenha os punhos e as superfícies de agarrar secas, limpas e livres de óleo e massa consistente.** Punhos e

superfícies de agarrar escorregadias não permitem o manuseio e controle seguros da ferramenta em situações inesperadas.

### Serviço

- ▶ **Só permita que o seu aparelho seja reparado por pessoal especializado e qualificado e só com peças de reposição originais.** Desta forma é assegurado o funcionamento seguro do aparelho.

### Instruções de segurança para lixadeira

- ▶ **Use a ferramenta elétrica apenas para lixamento a seco.** A infiltração de água numa ferramenta elétrica aumenta o risco de choque elétrico.
- ▶ **Certifique-se de que nenhuma pessoa fica em perigo devido às faíscas. Afaste materiais inflamáveis das proximidades.** São originadas faíscas quando se lixa metais.
- ▶ **Atenção, perigo de incêndio! Evite um sobreaquecimento do material de lixar e da lixadeira. Esvazie sempre o reservatório de pó antes de pausas no trabalho.** O pó de lixa no saco coletor do pó, no microfiltro, no saco de papel (ou no saco do filtro ou no filtro do aspirador) pode incendiar-se sob circunstâncias desfavoráveis como faíscas ao lixar metais. Existe perigo especialmente quando o pó de lixa está misturado com restos de verniz, poliuretano ou outras substâncias químicas e o material de lixar está quente após longo período de trabalho.
- ▶ **Limpe com regularidade as aberturas de ventilação da sua ferramenta elétrica.** A ventoinha do motor puxa pó para dentro da carcaça, e uma grande quantidade de pó de metal pode causar perigos elétricos.
- ▶ **Durante o trabalho, segure a ferramenta elétrica com as duas mãos e providencie uma estabilidade segura.** A ferramenta elétrica é conduzida com maior segurança com ambas as mãos.
- ▶ **Espeare a ferramenta elétrica parar completamente, antes de depositá-la.**
- ▶ **Fixar a peça a ser trabalhada.** Uma peça a ser trabalhada fixa com dispositivos de aperto ou com torno de bancada está mais firme do que segurada com a mão.

## Descrição do produto e do serviço



**Leia todas as instruções de segurança e instruções.** A inobservância das instruções de segurança e das instruções pode causar choque elétrico, incêndio e/ou ferimentos graves.

Respeite as figuras na parte da frente do manual de instruções.

### Utilização adequada

A ferramenta elétrica destina-se ao lixamento a seco de madeira, plástico, metal, massa de aparelhar e superfícies pintadas.

As ferramentas elétricas com regulação eletrônica também são apropriadas para polir.

### Componentes ilustrados

A numeração dos componentes ilustrados refere-se à apresentação da ferramenta elétrica na página de esquemas.

- (1) Punho adicional (superfície do punho isolada)<sup>A)</sup>
- (2) Parafuso para punho adicional<sup>A)</sup>
- (3) Roda da pré-seleção do número de oscilações
- (4) Interruptor de ligar/desligar
- (5) Tecla de fixação para o interruptor de ligar/desligar
- (6) Caixa do pó completa (sistema de microfiltro)<sup>A)</sup>
- (7) Chave sextavada interior
- (8) Prato de lixar
- (9) Punho (superfície do punho isolada)
- (10) Folha de lixa<sup>A)</sup>
- (11) Parafuso para prato de lixar
- (12) Suporte para caixa do pó<sup>A)</sup>
- (13) Corrediça de plástico
- (14) Bocais de sopro
- (15) Alavanca com retenção para caixa do pó<sup>A)</sup>
- (16) Elemento filtrante (sistema de microfiltro)<sup>A)</sup>
- (17) Adaptador de aspiração<sup>A)</sup>
- (18) Mangueira de aspiração<sup>A)</sup>
- (19) Saco do pó<sup>A)</sup>

A) **Acessórios apresentados ou descritos não pertencem ao volume de fornecimento padrão. Todos os acessórios encontram-se no nosso programa de acessórios.**

### Dados técnicos

Lixadeira excêntrica	GEX 34-125	GEX 34-125	GEX 34-150	GEX 34-150
Número de produto	3 601 C72 3..	3 601 C72 3..	3 601 C72 8..	3 601 C72 8..
Caixa do pó no volume de fornecimento	●	–	●	–
Pré-seleção do número de oscilações	●	●	●	●

Lixadeira excêntrica		GEX 34-125	GEX 34-125	GEX 34-150	GEX 34-150
Potência nominal absorvida	W	340	340	340	340
N.º de rotações em vazio	r.p.m.	4500-12000	4500-12000	4500-12000	4500-12000
Número de oscilações em vazio	o.p.m.	9000-24000	9000-24000	9000-24000	9000-24000
Diâmetro do círculo de oscilação	mm	5,0	5,0	4,0	4,0
Diâmetro do prato abrasivo	mm	125	125	150	150
Peso conforme EPTA-Procedure 01:2014	kg	2,0	2,0	2,1	2,1
Classe de proteção		□/II	□/II	□/II	□/II

Os dados aplicam-se a uma tensão nominal [U] de 230 V. Com tensões divergentes e em versões específicas do país, estes dados podem variar.

## Montagem

- ▶ **Antes de todos trabalhos na ferramenta elétrica deverá puxar a ficha de rede da tomada.**

### Trocar a folha de lixa (ver figura A)

Antes de colocar uma folha de lixa nova remova a sujidade e o pó do prato de lixar (8), p. ex. com um pincel.

A superfície do prato de lixar (8) é composta por um tecido auto aderente, para que possa fixar as folhas de lixa de forma simples e rápida por meio de auto aderência.

Pressione firmemente a folha de lixa (10) no lado de baixo do prato de lixar (8).

Para assegurar uma aspiração de pó ideal, certifique-se de que os orifícios puncionados na folha de lixa coincidem com os furos no prato de lixar.

### Seleção do prato abrasivo

Dependendo da aplicação, a ferramenta elétrica pode ser equipada com pratos abrasivos de diferentes espessuras:

- Prato abrasivo extremamente macio: apropriado para polir e lixar com cuidado, também em superfícies abobadadas
- Prato abrasivo macio: apropriado para todos os trabalhos de lixar, aplicação universal
- Prato abrasivo duro: apropriado para lixar com alta potência em superfícies planas

### Trocar o prato de lixar (ver figura B)

**Nota:** substitua de imediato um prato de lixar (8) danificado.

Puxar a folha de lixa ou a ferramenta de polir para fora. Desenrosque totalmente o parafuso (11) e retire o prato abrasivo (8). Coloque o novo prato abrasivo (8) e aperte novamente o parafuso à mão.

**Nota:** Os arrastadores são diferentes para placas de Ø 150 e placas de Ø 125. As placas só podem ser montadas na respetiva ferramenta elétrica adequada.

**Nota:** ao colocar o prato de lixar, certifique-se de que os dentes do arrastador encaixam nos entalhes do prato de lixar.

**Nota:** um suporte do prato de lixar danificado só pode ser substituído por um posto de assistência técnica autorizado para ferramentas elétricas Bosch.

### Aspiração de pó/de aparas

Pós de materiais como por exemplo, tintas que contém chumbo, alguns tipos de madeira, minerais e metais, podem ser nocivos à saúde. O contacto ou a inalação dos pós pode provocar reações alérgicas e/ou doenças nas vias respiratórias do utilizador ou das pessoas que se encontrem por perto.

Certos pós, como por exemplo pó de carvalho e faia são considerados como sendo cancerígenos, especialmente quando juntos com substâncias para o tratamento de madeiras (cromato, produtos de proteção da madeira). Material que contém asbesto só deve ser processado por pessoal especializado.

- Se possível deverá usar um dispositivo de aspiração de pó apropriado para o material.
- Assegurar uma boa ventilação do local de trabalho.
- É recomendável usar uma máscara de proteção respiratória com filtro da classe P2.

Observe as diretivas para os materiais a serem processados, vigentes no seu país.

- ▶ **Evite a acumulação de pó no local de trabalho.** Pós podem entrar levemente em ignição.

### Aspiração integrada com caixa do pó (ver figuras C1-C4)

Antes da montagem retire a caixa do pó (6) para fora da corredeira de plástico (13). Coloque a caixa do pó (6) no bocal de sopro (14), até que engate. Certifique-se de que a corredeira de plástico (13) encaixa no suporte (12).

Para esvaziar a caixa do pó (6) pressione a alavanca com retenção (15) do lado da caixa do pó (6). Retire a caixa do pó empurrando para baixo (6).

Antes de abrir a caixa do pó (6) deve bater com a mesma sobre uma base firme tal como representado na figura, para soltar o pó do elemento filtrante.

Agarre a caixa do pó (6) pela cavidade da pega, rebata o elemento filtrante (16) para cima e esvazie a caixa do pó. Limpe as lamelas do elemento filtrante (16) com uma escova macia.

### Aspiração externa (ver figura D)

Insira o adaptador de aspiração (17) no bocal de sopro (14). Assegurar que as alavancas com retenção do adaptador de aspiração engatam. Ao adaptador de aspiração (17) é possível ligar uma mangueira de aspiração com um diâmetro de 19 mm.

Para desmontar o adaptador de aspiração (17) pressione a respetiva alavanca com retenção atrás e retire o adaptador de aspiração.

O aspirador de pó deve ser apropriado para o material a ser trabalhado.

Utilize um aspirador especial para aspirar pó que seja extremamente nocivo à saúde, cancerígeno ou seco.

Ao trabalhar em superfícies verticais, segure a ferramenta elétrica de modo a que a mangueira de aspiração aponte para baixo.

### Aspiração integrada com saco do pó (ver figura E)

Nos trabalhos pequenos pode ligar um saco do pó (acessório) (19).

Antes da montagem do saco do pó (19) puxe a corrediça de plástico (13) para fora. Encaixe bem o bocal do saco do pó no bocal de sopro (14). Certifique-se de que a corrediça de plástico (13) encaixa no suporte previsto para o efeito no saco do pó (19).

Esvazie atempadamente o saco do pó (19), para que a recolha do pó se mantenha sem problemas.

### Punho adicional

O punho adicional (1) permite um manuseamento confortável e uma distribuição ideal da força, especialmente em grandes desbastes.

Fixe o punho adicional (1) com o parafuso (2) na caixa.

## Funcionamento

### Colocação em funcionamento

- **Observar a tensão de rede! A tensão da fonte de corrente elétrica deve coincidir com os dados que constam na placa de características da ferramenta elétrica. Ferramentas elétricas marcadas para 230 V também podem ser operadas com 220 V.**

### Ligar/desligar

- **Certifique-se de que consegue acionar o interruptor de ligar/desligar sem ter de soltar o punho.**

Para **ligar** a ferramenta elétrica pressione o interruptor de ligar/desligar (4) e mantenha-o premido.

Para **fixar** o interruptor de ligar/desligar (4), mantenha-o premido e prima adicionalmente o botão de fixação (5).

Para **desligar** a ferramenta elétrica, solte o interruptor de ligar/desligar (4). Fixado o interruptor de ligar/desligar (4), prima o primeiro e solte-o depois.

### Pré-selecionar o n.º de oscilações

Com a roda da pré-seleção do número de oscilações (3) pode pré-selecionar o n.º de oscilações necessário mesmo durante o funcionamento.

- 1 – 2 reduzido número de oscilações
- 3 – 4 médio número de oscilações
- 5 – 6 alto número de oscilações

O n.º de oscilações necessário depende do material e das condições de trabalho e pode ser determinado por tentativas.

A Constant-Electronic mantém o número de oscilações em vazio e sob carga quase constante e assegura um rendimento de trabalho uniforme.

Após um longo período de tempo a trabalhar com um n.º de oscilações reduzido, deve deixar a ferramenta elétrica a funcionar aprox. 3 minutos com o n.º de oscilações máximo em vazio para a arrefecer.

### Travão do prato de lixar

O travão do prato de lixar integrado reduz o n.º de oscilações em vazio, de modo a impedir a formação de estrias na colocação da ferramenta elétrica na peça.

Se o número de oscilações em vazio aumentar constantemente com o passar do tempo, significa que o prato de lixar está danificado e tem de ser substituído de imediato ou que o travão do prato de lixar está desgastado. Um travão do prato de lixar desgastado tem de ser substituído por um posto de assistência técnica autorizado para ferramentas elétricas Bosch.

### Instruções de trabalho

- **Antes de todos trabalhos na ferramenta elétrica deverá puxar a ficha de rede da tomada.**
- **Espere a ferramenta elétrica parar completamente, antes de depositá-la.**
- **A ferramenta elétrica não é adequada para o funcionamento estacionário.** Não pode p. ex. ser presa num torno de bancada ou fixada a uma bancada de trabalho.

### Lixar superfícies

Ligue a ferramenta elétrica, coloque-a com toda a superfície de lixar sobre a base a trabalhar e movimente-a sobre a peça a ser trabalhada com pressão moderada.

O rendimento de desbaste e o padrão de lixamento são determinados essencialmente através da folha de lixa selecionada, do nível do número de oscilações predefinido e da pressão exercida.

Apenas folhas de lixar impecáveis garantem um excelente rendimento de desbaste e a proteção da ferramenta elétrica.

Trabalhar com uma força de pressão uniforme para aumentar a vida útil das folhas de lixar.

Demasiada pressão não resulta num melhor rendimento de desbaste, mas sim num maior desgaste da ferramenta elétrica e da folha de lixa.

Jamais utilizar uma folha de lixa com a qual foi processado metal, para processar outros materiais.

Use apenas acessórios de lixar **Bosch** originais.

### Lixamento grosseiro

Colocar uma folha de lixa com grão grosseiro.  
Exerça apenas uma ligeira pressão sobre a ferramenta elétrica, para que possa funcionar com um n.º de oscilações mais elevado e fornecer um maior desbaste de material.

### Lixamento fino

Colocar uma folha de lixa com grão mais fino.  
Variando lentamente a pressão exercida ou alterando o nível do número de oscilações, poderá reduzir o número de oscilações do prato de lixar sem alterar o movimento excêntrico.

Movimente a ferramenta elétrica com pressão moderada de forma circular ou alternadamente no sentido longitudinal e transversal sobre toda a superfície da peça a ser trabalhada. Não incline a ferramenta elétrica a fim de evitar lixar através da peça a ser trabalhada, p. ex. peças folheadas.

Depois de concluir o processo de trabalho, desligue a ferramenta elétrica.

### Polir

Para polir tintas corroídas ou arranhões (p. ex. vidro acrílico) a ferramenta elétrica pode ser equipada com ferramentas de polir adequadas como boina de lã de cordeiro, feltro ou esponja de polir (acessórios).

Selecione um n.º de oscilações reduzido para polir (nível 1-2), para evitar um aquecimento excessivo da superfície.

Aplicar o produto de polimento sobre uma superfície menor do que a deseja polir. Trabalhar o agente de polimento com uma ferramenta de polir apropriada, com movimentos cruzados ou circulares e com pressão moderada.

Não deixe o agente de polimento secar na superfície, pois tal poderá danificar a mesma. Não exponha a superfície a polir à radiação solar direta.

Limpe regularmente as ferramentas de polir, para assegurar bons resultados de polimento. Lavar as ferramentas de polir com um detergente brando e com água morna, não utilizar solventes.

## Manutenção e assistência técnica

### Manutenção e limpeza

- ▶ **Antes de todos trabalhos na ferramenta elétrica deverá puxar a ficha de rede da tomada.**
- ▶ **Manter a ferramenta elétrica e as aberturas de ventilação sempre limpas, para trabalhar bem e de forma segura.**

Se for necessário instalar um cabo de ligação, a instalação deve ser feita pela **Bosch** ou por um centro de serviço autorizado para ferramentas elétricas **Bosch**, para evitar perigos de segurança.

### Serviço pós-venda e aconselhamento

O serviço pós-venda responde às suas perguntas a respeito de serviços de reparação e de manutenção do seu produto,

assim como das peças sobressalentes. Desenhos explodidos e informações acerca das peças sobressalentes também em: **www.bosch-pt.com**

A nossa equipa de consultores Bosch esclarece com prazer todas as suas dúvidas a respeito dos nossos produtos e acessórios.

Indique para todas as questões e encomendas de peças sobressalentes a referência de 10 dígitos de acordo com a placa de características do produto.

### Brasil

Robert Bosch Ltda. – Divisão de Ferramentas Elétricas  
Rodovia Anhanguera, Km 98 - Parque Via Norte  
13065-900, CP 1195  
Campinas, São Paulo  
Tel.: 0800 7045 446  
www.bosch.com.br/contato

### Angola

Robert Bosch Ltd  
Divisão de Ferramentas Elétricas  
Estrada de Cacuo 288  
Luanda  
Tel. : +244 927 584 446  
http://www.bosch-professional.com/ao/pt/

### Eliminação

Ferramentas elétricas, acessórios e embalagens devem ser enviados a uma reciclagem ecológica de matérias-primas.



Não deitar ferramentas elétricas no lixo doméstico!

## 中文

### 安全规章

#### 电动工具通用安全警告

**警告！** 阅读所有警告和所有说明！不遵照以下警告和说明会导致电

击、着火和 / 或严重伤害。

**保存所有警告和说明书以备查阅。**

在所有下列的警告中术语“电动工具”指市电驱动（有线）电动工具或电池驱动（无线）电动工具。

#### 工作场地的安全

- ▶ **保持工作场地清洁和明亮。** 混乱和黑暗的场地会引发事故。
- ▶ **不要在易爆环境，如有易燃液体、气体或粉尘的环境下操作电动工具。** 电动工具产生的火花会点燃粉尘或气体。
- ▶ **让儿童和旁观者离开后操作电动工具。** 注意力不集中会使操作者失去对工具的控制。

## 电气安全

- ▶ 电动工具插头必须与插座相配。绝不能以任何方式改装插头。需接地的电动工具不能使用任何转换插头。未经改装的插头和相配的插座将减少电击危险。
- ▶ 避免人体接触接地表面，如管道、散热片和冰箱。如果你身体接地会增加电击危险。
- ▶ 不得将电动工具暴露在雨中或潮湿环境中。水进入电动工具将增加电击危险。
- ▶ 不得滥用电线。绝不能用电线搬运、拉动电动工具或拔出其插头。使电线远离热源、油、锐边或运动部件。受损或缠绕的软线会增加电击危险。
- ▶ 当在户外使用电动工具时，使用适合户外使用的外接软线。适合户外使用的软线将减少电击危险。
- ▶ 如果在潮湿环境下操作电动工具是不可避免的，应使用剩余电流动作保护器（RCD）。使用RCD可减小电击危险。

## 人身安全

- ▶ 保持警觉，当操作电动工具时关注所从事的操作并保持清醒。当你感到疲倦，或在有药物、酒精或治疗反应时，不要操作电动工具。在操作电动工具时瞬间的疏忽会导致严重人身伤害。
- ▶ 使用个人防护装置。始终佩戴护目镜。安全装置，诸如适当条件下使用防尘面具、防滑安全鞋、安全帽、听力防护等装置能减少人身伤害。
- ▶ 防止意外启动。确保开关在连接电源和/或电池盒、拿起或搬运工具时处于关断位置。手指放在已接通电源的开关上或开关处于接通时插入插头可能会导致危险。
- ▶ 在电动工具接通之前，拿掉所有调节钥匙或扳手。遗留在电动工具旋转零件上的扳手或钥匙会导致人身伤害。
- ▶ 手不要伸展得太长。时刻注意立足点和身体平衡。这样在意外情况下能很好地控制电动工具。
- ▶ 着装适当。不要穿宽松衣服或佩戴饰品。让衣服、手套和头发远离运动部件。宽松衣服、配饰或长发可能会卷入运动部件中。
- ▶ 如果提供了与排屑、集尘设备连接用的装置，要确保他们连接完好且使用得当。使用这些装置可减少尘屑引起的危险。
- ▶ 即使由于经常使用电动工具而对此非常熟悉，也不要就认为可以高枕无忧而忽略工具的安全规定。粗心大意的行为可能在瞬间就造成严重的伤害。

## 电动工具使用和注意事项 电动工具使用和注意事项

- ▶ 不要滥用电动工具，根据用途使用适当的电动工具。选用适当设计的电动工具会使你工作更有效、更安全。
- ▶ 如果开关不能接通或关断工具电源，则不能使用该电动工具。如果开关不能接通或关断工具电源，则不能使用该电动工具。
- ▶ 在进行任何调节、更换附件或贮存电动工具之前，必须从电源上拔掉插头和/或使电池盒与工具脱开。这种防护性措施将减少工具意外启动的危险。

- ▶ 将闲置不用的电动工具贮存在儿童所及范围之外，并且不要让不熟悉电动工具或对这些说明不了解的人操作电动工具。电动工具在未经培训的用户手中是危险的。
- ▶ 保养电动工具。检查运动件是否调整到位或卡住，检查零件破损情况和影响电动工具运行的其他状况。如有损坏，电动工具应在使用前修理好。许多事故由维护不良的电动工具引发。
- ▶ 保持切削刀具锋利和清洁。保养良好的有锋利切削刃的刀具不易卡住而且容易控制。
- ▶ 按照使用说明书，考虑作业条件和进行的作业来使用电动工具、附件和工具的刀头等。将电动工具用于那些与其用途不符的操作可能会导致危险。
- ▶ 保持手柄和握持表面干燥、清洁、无油污。在突发情况下，滑溜的手柄和握持表面无法确保安全地握持和控制工具。

## 维修

- ▶ 将你的电动工具送交专业维修人员，使用同样的备件进行修理。这样将确保所维修的电动工具的安全性。

## 针对研磨机的安全规章

- ▶ 本电动工具仅可用于干法研磨。水进入电动工具将增加电击危险。
- ▶ 要注意确保飞溅的火花不会伤到人。清除附近的可燃材料。研磨金属时会有火花飞溅。
- ▶ 注意火灾危险！应避免磨料和研磨机过热。每次工作休息前都要清空集尘腔。集尘袋、微过滤器、纸袋（或者吸尘器的过滤袋或过滤器）内的磨削粉尘可能会在不良条件下（例如研磨金属时火花飞溅）被点燃。如果磨削粉尘与油漆或聚氨酯残余物或者其他化学原料混合，且磨料在长时间作业后产生高温时，会产生极大危险。
- ▶ 定期清洁电动工具的通风间隙。电动机风扇会将灰尘吸进机壳，过多的金属粉末沉积会导致电气危险。
- ▶ 工作时要使用双手握紧电动工具并确保站稳。使用双手才能够稳定地操作电动工具。
- ▶ 等待电动工具完全静止后才能够放下机器。
- ▶ 固定好工作件。使用固定装置或老虎钳固定工件，会比用手持握工件更牢固。

## 产品和性能说明



请阅读所有安全规章和指示。不遵照以下警告和说明可能导致电击、着火和/或严重伤害。  
请注意本使用说明书开头部分的图示。

## 按照规定使用

本电动工具适合在木材，塑料，金属，填隙料和涂了油漆的表面上干磨。  
配备了电动调节装置的电动工具也可以进行抛光。

## 插图上的机件

机件的编号和电动工具详解图上的编号一致。

- (1) 辅助手柄（绝缘握柄）<sup>A)</sup>
- (2) 辅助手柄螺丝<sup>A)</sup>
- (3) 振动次数预选调节器
- (4) 电源开关
- (5) 电源开关的锁定按钮
- (6) 整个集尘盒（微过滤器系统）<sup>A)</sup>
- (7) 内六角扳手
- (8) 磨垫
- (9) 手柄（绝缘握柄）

- (10) 砂纸<sup>A)</sup>
- (11) 磨盘螺丝
- (12) 集尘盒支架<sup>A)</sup>
- (13) 塑料插条
- (14) 吸尘器转换接口
- (15) 集尘盒锁杆<sup>A)</sup>
- (16) 滤芯（微过滤器系统）<sup>A)</sup>
- (17) 吸尘适配接头<sup>A)</sup>
- (18) 集尘软管<sup>A)</sup>
- (19) 集尘袋<sup>A)</sup>

A) 图表或说明上提到的附件，并不包含在基本的供货范围中。本公司的附件清单中有完整的附件供应项目。

## 技术参数

偏心研磨机	GEX 34-125	GEX 34-125	GEX 34-150	GEX 34-150
物品代码	3 601 C72 3..	3 601 C72 3..	3 601 C72 8..	3 601 C72 8..
集尘盒，包含在供货范围中	●	-	●	-
振动次数预选	●	●	●	●
额定输入功率	瓦 340	340	340	340
空载转速	转/分钟 4500-12000	4500-12000	4500-12000	4500-12000
空载振频	次/分钟 9000-24000	9000-24000	9000-24000	9000-24000
振动圆直径	毫米 5.0	5.0	4.0	4.0
磨垫直径	毫米 125	125	150	150
重量符合EPTA-Procedure 01:2014	公斤 2.0	2.0	2.1	2.1
保护等级	□/II	□/II	□/II	□/II

所有参数适用于230伏的额定电压[U]，对于其他不同的电压和国际规格，数据有可能不同。

## 安装

- ▶ 在电动工具上进行所有操作之前都必须从插座上拔出电源插头。

### 更换砂纸（参见插图A）

装上新砂纸前，用刷子清除磨盘(8)上的脏污和灰尘。

磨盘(8)表面由尼龙织物组成，因此可通过魔术贴快速便捷地固定砂纸。

将砂纸(10)牢固地按压到磨盘(8)底面。

注意将砂纸的冲孔与磨盘上的孔重叠，以确保最佳的集尘效果。

### 选择磨垫

可以根据用途在电动工具上安装不同硬度的磨垫：

- 超软磨垫：适用于抛光或操作时必须凭借触感的研磨工作，另外也可以在凸起的表面研磨
- 软磨垫：适合所有的研磨工作，是通用型磨垫
- 硬磨垫：适合在平坦的表面进行高效率的研磨

### 更换磨垫（参见插图B）

提示：请立即更换损坏的磨垫(8)。

拆下砂纸或抛光工具。小心地旋出螺栓(11)，然后取下磨盘(8)。装上新磨垫(8)，然后用手重新拧紧螺栓。

提示：从动件分为直径150衬垫型和直径125衬垫型两种型号。这些衬垫仅可安装在相应的电动工具上。

提示：安装磨垫时应注意从动件的齿轮进入磨垫的凹槽中。

提示：损坏的磨垫支架必须由博世电动工具公司授权的客户服务处更换。

### 吸锯尘/吸锯屑

含铅的颜料以及某些木材、矿物和金属的加工粉尘有害健康。机器操作者或者工地附近的人如果接触、吸入这些粉尘，可能会有过敏反应或者感染呼吸道疾病。

某些尘埃（例如加工橡木或山毛榉的粉尘）可能致癌，特别是和处理木材的添加剂（例如木材的防腐剂等）结合之后。只有经过专业培训的人才能够加工含石棉的物料。

- 尽可能使用适合物料的吸尘装置。
- 工作场所要保持空气流通。
- 最好佩戴P2滤网等级的口罩。

请留心并遵守贵国和加工物料有关的法规。



- ▶ **避免让工作场所堆积过多的尘垢。** 尘埃容易被点燃。

#### 利用集尘盒自集尘 (参见插图C1-C4)

安装集尘盒(6)前, 请拔出塑料插条(13)。将集尘盒(6)装到吸尘器转换接口(14)上, 直至卡止。注意将塑料插条(13)卡入支架(12)中。

要清空集尘盒(6), 按下集尘盒侧面的锁杆(15)

(①)。向下拔下集尘盒(②)。

打开集尘盒(6)前, 请如图所示在固定底座上敲击集尘盒, 使灰尘从滤芯脱落。

抓住集尘盒(6)上的把手凹槽, 向上翻出滤芯(16), 然后清空集尘盒。用一支软刷清洁滤芯(16)膜片。

#### 外部集尘 (参见插图D)

将吸尘适配器(17)插到吸尘器转换接口(14)上。注意吸尘适配器上的锁杆要卡紧。可在吸尘适配器(17)上连接一根直径为19毫米的吸尘软管。

要拆下吸尘适配器(17), 将其锁杆的后部压到一起, 然后拔下吸尘适配器。

根据工件的物料选择合适的吸尘装置。

吸尘可能危害健康, 可能导致癌症或干燥的废尘时, 务必使用特殊的吸尘装置。

在垂直的平面上操作电动工具时, 必须以吸管朝下的方式握持电动工具。

#### 利用集尘袋自集尘 (参见插图E)

针对小范围操作可以连接集尘袋 (附件) (19)。

安装集尘袋(19)前, 请拔出塑料插条(13)。将集尘袋接头牢固地插到吸尘器转换接口(14)上。注意将塑料插条(13)卡入集尘袋(19)上指定的支架中。

请及时清空集尘袋(19), 以便保持最佳的集尘效果。

#### 辅助手柄

辅助手柄(1)可以实现便捷操作和最佳的力分配, 尤其是在高研磨率时。

将辅助手柄(1)用螺栓(2)固定到外壳上。

## 工作

### 投入使用

- ▶ **注意电源电压! 电源的电压必须和电动工具铭牌上标示的电压一致。标记为230伏电动工具用220伏的电压可以驱动。**

#### 接通/关闭

- ▶ **请确保握住手柄时可以开启/关闭开关。**

如要接通电动工具, 请按压电源开关(4)并按住。

如需锁定电源开关(4), 请按住该开关并另外按压锁定按钮(5)。

要关闭电动工具, 松开电源开关(4)。电源开关(4)锁住时, 先按压, 然后再松开。

#### 预选振荡次数

利用振荡次数预选调节轮(3)也可以在运行过程中预选所需的振荡次数。

1 - 2 低振荡次数

3 - 4 中振荡次数

5 - 6 高振荡次数

正确的振荡次数是由工件和工作条件决定, 唯有实际操作才能够找出最合适的振荡次数。

恒定电子装置可在怠速和负载时保持频率几乎恒定, 确保功率均匀。

使用低振荡次数长期操作之后, 应该让电动工具以最大振荡次数空转约3分钟来帮助机器冷却。

#### 磨盘缓速器

机器空转时, 它内部的磨盘缓速器会降低磨盘的振荡次数, 以避免将电动工具放在工件上时造成不必要的凹槽。

如果空转振荡次数不断上升, 代表磨盘已经损坏了必须更换, 或是磨盘缓速器磨损了。损坏的磨盘缓速器必须由博世电动工具公司授权的客户服务处更换。

#### 工作提示

- ▶ **在电动工具上进行所有操作之前都必须从插座上拔出电源插头。**
- ▶ **等待电动工具完全静止后才能够放下机器。**
- ▶ **本电动工具不适合固定式应用。** 例如不允许夹在虎钳上或固定在工作台上。

#### 研磨平面

开动电动工具, 把整个研磨面平贴在待研磨的表面上, 并均匀地在工件上移动机器。

磨除功率和研磨的效果原则上是由所选择的砂纸、设定的振荡级和操作机器时施压的大小来决定的。只有完好的砂纸才能够提高研磨功率, 并且保护电动工具。

操作机器时要均匀施压, 如此才能够提高砂纸的使用寿命。

在机器上过度施压, 不仅无法提高研磨功率, 反而容易损坏机器并提高砂纸的耗损率。

不可以使用研磨过金属的砂纸研磨其它的物料。

请只使用Bosch原装研磨附件。

#### 粗磨

安装粒度粗的砂纸。

只能轻按电动工具, 这样它才能够以较高的振荡次数运转, 并达到较高的材料磨除效果。

#### 细磨

安装粒度细的砂纸。

稍微改变接触压力或更改振荡次数等级, 可以在保持偏心运动的同时减少磨盘振荡次数。

坝高采用绕圈或纵向、横向互相交换的方式, 在工件上均匀地移动电动工具。勿让研磨机歪斜了, 以避免磨穿工件, 例如胶合板。

工作完备后随手关闭电动工具。

#### 抛光

在电动工具上安装合适的抛光工具, 例如羊毛罩, 抛光绒布或抛光海绵 (附件) 等, 也可以使用本电

動工具拋光受氣候侵蝕的油漆和刮痕（例如有機玻璃）。

拋光時請選擇較少的振蕩次數（等級1-2），以避免表面過熱。

拋光時，先在一處小面積上塗抹拋光劑，接著再使用合適的拋光工具，採縱橫交錯或繞圈的方式，均勻地塗抹拋光劑。

不可讓塗抹在拋光表面的拋光劑干掉，這樣會損壞拋光表面。不可以讓陽光直接照射待拋光的表面。定期清潔拋光工具，以確保出色的拋光效果。使用溫和的清潔劑和溫水清洗拋光工具。勿使用稀釋劑。

## 維修和服務

### 維護和清潔

- ▶ 在電動工具上進行所有操作之前都必須從插座上拔出電源插頭。
- ▶ 電動工具和通氣孔必須隨時保持清潔，以確保工作效率和工作安全。

如果必須更換連接線，務必把這項工作交給Bosch或者經授權的Bosch電動工具顧客服務執行，以避免危害機器的安全性能。

### 客戶服務和應用諮詢

本公司顧客服務處負責回答有關本公司產品的修理、維護和備件的問題。備件的展開圖紙和信息也可查看：[www.bosch-pt.com](http://www.bosch-pt.com)  
博世應用諮詢團隊樂於就我們的產品及其附件問題提供幫助。

詢問和訂購備件時，務必提供機器銘牌上標示的10位數物品代碼。

#### 香港和澳門特別行政區

羅伯特博世有限公司  
香港北角英皇道625號，21樓  
客戶服務熱線：+852 2101 0235  
電子郵件：[info@hk.bosch.com](mailto:info@hk.bosch.com)  
[www.bosch-pt.com.hk](http://www.bosch-pt.com.hk)

#### 中國大陸

博世電動工具（中國）有限公司  
中國 浙江省 杭州市  
濱江區 濱康路567號  
102/1F 服務中心  
郵政編碼：310052  
電話：(0571)8887 5566 / 5588  
傳真：(0571)8887 6688 x 5566# / 5588#  
電郵：[bsc.hz@cn.bosch.com](mailto:bsc.hz@cn.bosch.com)  
[www.bosch-pt.com.cn](http://www.bosch-pt.com.cn)

#### 製造商地址：

Robert Bosch Power Tools GmbH  
羅伯特·博世電動工具有限公司  
70538 Stuttgart / GERMANY  
70538 斯圖加特 / 德國

## 處理廢棄物

必須以符合環保要求的方式回收再利用電動工具、附件和包裝材料。



請勿將電動工具扔到生活垃圾中！

## 繁體中文

## 安全注意事項

### 電動工具一般安全注意事項

**警告** 請詳讀工作臺及電動工具的所有安全警告與使用說明。若不遵照以下列出的指示，將可能導致電擊、著火和/或人員重傷。

保存所有警告和說明書以備查閱。

在所有警告中，「電動工具」此一名詞泛指：以市電驅動的（有線）電動工具或是以電池驅動的（無線）電動工具。

### 工作場地的安全

- ▶ 保持工作場地清潔和明亮。混亂和黑暗的場地會引發事故。
- ▶ 不要在易爆環境，如有易燃液體、氣體或粉塵的環境下操作電動工具。電動工具產生的火花會點燃粉塵或氣體。
- ▶ 讓兒童和旁觀者離開後操作電動工具。注意力不集中會使您失去對工具的控制。

### 電氣安全

- ▶ 電動工具插頭必須與插座相配。絕不能以任何方式改裝插頭。需接地的電動工具不能使用任何轉換插頭。未經改裝的插頭和相配的插座將減少電擊危險。
- ▶ 避免人體接觸接地表面，如管道、散熱片和冰箱。如果您身體接地會增加電擊危險。
- ▶ 不得將電動工具暴露在雨中或潮濕環境中。水進入電動工具將增加電擊危險。
- ▶ 不得濫用電線。絕不能用电線搬運、拉動電動工具或拔出其插頭。使電線遠離熱源、油、銳利邊緣或移動零件。受損或纏繞的軟線會增加電擊危險。
- ▶ 當在戶外使用電動工具時，使用適合戶外使用的延長線。適合戶外使用的軟線，將減少電擊危險。
- ▶ 如果在潮濕環境下操作電動工具是不可避免的，應使用剩餘電流動作保護器（RCD）。使用RCD可降低電擊危險。

### 人身安全

- ▶ 保持警覺，當操作電動工具時關注所從事的操作並保持清醒。當您感到疲倦，或在有藥物、酒精

或治療反應時，不要操作電動工具。在操作電動工具時瞬間的疏忽會導致嚴重人身傷害。

- ▶ **使用個人防護裝置。** 始終佩戴護目鏡。安全裝置，諸如適當條件下使用防塵面具、防滑安全鞋、安全帽、聽力防護等裝置能減少人身傷害。
- ▶ **防止意外起動。** 確保開關在連接電源和/或電池盒、拿起或搬運工具時處於關閉位置。手指放在已接通電源的開關上或開關處於接通時插入插頭可能會導致危險。
- ▶ **在電動工具接通之前，拿掉所有調節鑰匙或扳手。** 遺留在電動工具旋轉零件上的扳手或鑰匙會導致人身傷害。
- ▶ **手不要伸展得太長。** 時刻注意立足點和身體平衡。這樣在意外情況下能很好地控制電動工具。
- ▶ **著裝適當。** 不要穿寬鬆衣服或佩戴飾品。讓您的衣物及頭髮遠離運動部件。寬鬆衣服、佩飾或長髮可能會捲入運動部件中。
- ▶ **如果提供了與排屑、集塵設備連接用的裝置，要確保他們連接完好且使用得當。** 使用這些裝置可減少塵屑引起的危險。
- ▶ **切勿因經常使用工具所累積的熟練感而過度自信，輕忽工具的安全守則。** 任何一個魯莽的舉動都可能瞬間造成人員重傷。

#### 電動工具使用和注意事項

- ▶ **不要濫用電動工具，根據用途使用適當的電動工具。** 選用適當設計的電動工具會使您工作更有效、更安全。
- ▶ **如果開關不能開啟或關閉工具電源，則不能使用該電動工具。** 不能用開關來控制的電動工具是危險的且必須進行修理。
- ▶ **在進行任何調整、更換配件或貯存電動工具之前，必須從電源上拔掉插頭並/或取出電池盒。** 這種防護性措施將減少工具意外起動的危險。
- ▶ **將閒置不用的電動工具貯存在兒童所及範圍之外，並且不要讓不熟悉電動工具或對這些說明不瞭解的人操作電動工具。** 電動工具在未經培訓的用戶手中是危險的。
- ▶ **保養電動工具與配備。** 檢查運動件是否調整到位或卡住，檢查零件破損情況和影響電動工具運行的其他狀況。如有損壞，電動工具應在使用前修理好。許多事故由維護不良的電動工具引發。
- ▶ **保持切削刀具鋒利和清潔。** 保養良好的有鋒利切削刀的刀具不易卡住而且容易控制。
- ▶ **按照使用說明書，考慮作業條件和進行的作業來使用電動工具、配件和工具的头頭等。** 將電動工具用於那些與其用途不符的操作可能會導致危險。
- ▶ **把手及握持區應保持乾燥、潔淨，且不得沾染任何油液或油脂。** 易滑脫的把手及握持區將無法讓您在發生意外狀況時安全地抓緊並控制工具。

#### 檢修

- ▶ **將您的電動工具送交專業維修人員，必須使用同樣的備件進行更換。** 這樣將確保所維修的電動工具的安全性。

#### 砂磨機安全注意事項

- ▶ **本電動工具僅適用於乾式研磨。** 水進入電動工具將增加電擊危險。
- ▶ **請注意：噴濺的火花不會波及任何人。** 請將附近的易燃材料清走。研磨材料時會有火花噴濺。
- ▶ **請注意：有失火之虞！請避免砂磨材料或砂帶機過熱。** 暫停作業之前請務必清空集塵容器。集塵袋、超微細過濾器、紙袋內（或吸塵器過濾袋/濾材內）的研磨粉塵可能在不利條件下自行點燃，例如研磨金屬時所產生的火花。尤其是當研磨粉塵若混入殘留的烤漆、聚胺酯或其他化學物質，而且在經過長時間運轉後砂磨材料的溫度又極高時，這種情形特別具危險性。
- ▶ **請定期清潔電動工具的通風口。** 電動機風扇會將灰塵吸進機殼，過多的金屬粉末沉積會導致電氣危險。
- ▶ **作業期間請用雙手牢牢握緊電動工具並保持穩固。** 使用雙手才能夠更穩定地操作電動工具。
- ▶ **等待電動工具完全靜止後才能夠放下機器。**
- ▶ **固定好工件。** 使用固定裝置或老虎鉗固定工件，會比用手持握工件更牢固。

#### 產品和功率描述



請詳讀所有安全注意事項和指示。如未遵守安全注意事項與指示，可能導致火災、人員遭受電擊及/或重傷。

請留意操作說明書中最前面的圖示。

#### 依規定使用機器

本電動工具適合在木材、塑膠、金屬、填縫泥及上漆表面上進行乾式研磨。

電子調控的電動工具也可進行拋光。

#### 插圖上的機件

機件的編號和電動工具詳解圖上的編號一致。

- (1) 輔助手柄（絕緣握柄）<sup>A)</sup>
- (2) 輔助手柄的螺栓<sup>A)</sup>
- (3) 振盪次數設定轉鈕
- (4) 起停開關
- (5) 起停開關鎖止按鈕
- (6) 集塵盒全套件（超微細過濾器系統）<sup>A)</sup>
- (7) 內六角扳手
- (8) 磨盤
- (9) 把手（絕緣握柄）
- (10) 研磨片<sup>A)</sup>
- (11) 磨盤螺栓
- (12) 集塵盒固定裝置<sup>A)</sup>
- (13) 塑料插條
- (14) 排塵接管
- (15) 集塵盒鎖止扳片<sup>A)</sup>
- (16) 濾芯（超微細過濾器系統）<sup>A)</sup>
- (17) 吸塵轉接頭<sup>A)</sup>

**(18) 吸塵軟管<sup>A)</sup>****(19) 集塵袋<sup>A)</sup>**

A) 圖表或說明上提到的配件，並不包含在基本的供貨範圍中。本公司的配件清單中有完整的配件供應項目。

**技術性數據**

偏心研磨機		GEX 34-125	GEX 34-125	GEX 34-150	GEX 34-150
產品機號		3 601 C72 3..	3 601 C72 3..	3 601 C72 8..	3 601 C72 8..
供貨範圍包含集塵盒		●	-	●	-
設定振盪次數		●	●	●	●
額定輸入功率	W	340	340	340	340
無負載轉速	次 / 分	4500-12000	4500-12000	4500-12000	4500-12000
無負載振盪次數	次 / 分	9000-24000	9000-24000	9000-24000	9000-24000
振盪繞圈直徑	mm	5.0	5.0	4.0	4.0
磨盤直徑	mm	125	125	150	150
重量符合 EPTA-Procedure 01:2014	kg	2.0	2.0	2.1	2.1
絕緣等級		□/II	□/II	□/II	□/II

本說明書提供的參數是以 230 伏特為依據，於低電壓地區，此數據有可能不同。

**安裝**

- ▶ 維修電動工具或換裝零、配件之前，務必從插座上拔出插頭。

**更換研磨片（請參考圖 A）**

裝上新的研磨片之前，請用例如刷子清除磨盤 (8) 上的髒污與粉塵。

磨盤 (8) 的表面材質是魔鬼氈，可以很便利地快速固定研磨片。

將研磨片 (10) 牢牢按壓到磨盤 (8) 底部上。

請注意：為確保最佳吸塵效果，研磨片上的沖孔請對準磨盤開孔位置。

**選用磨盤**

本電動工具可以依據用途安裝不同硬度的磨盤：

- 超軟磨盤：適用於拋光或操作時必須憑藉觸感的研磨作業，此外也可研磨凸起表面
- 軟磨盤：適合所有的研磨作業，是通用型磨盤
- 硬磨盤：適合在平坦的表面進行高效率研磨

**更換磨盤（請參考圖 B）**

**提示：**磨盤 (8) 如有受損請立即換掉。

卸下研磨片或拋光工具。將螺栓 (11) 完全旋出，並取下磨盤 (8)。裝上新的磨盤 (8)，然後徒手旋緊螺栓。

**提示：**直徑 150 的研磨墊片以及直徑 125 的研磨墊片適用於不同的從動部件。研磨墊片僅能安裝在與其規格相符的電動工具上。

**提示：**裝上磨盤時請注意從動部件的嚙合齒應要卡進磨盤的凹槽內。

**提示：**磨盤座如果損壞，必須交由博世電動工具公司授權的客戶服務處更換。

**吸除廢塵／料屑**

含鉛顏料、部分木材種類、礦石和金屬的加工廢塵有害健康。機器操作者或施工現場附近的人員如果接觸、吸入這些廢塵，可能會引發過敏反應或感染呼吸道疾病。

某些塵埃（例如加工橡木或山毛櫸的廢塵）可能致癌，特別是與處理木材的添加劑（例如木材的防腐劑等）結合之後。唯有受過專業訓練的人才能夠進行含石棉物料的加工。

- 儘可能使用適合物料的吸塵裝置。
- 工作場所要保持空氣流通。
- 建議佩戴 P2 過濾等級的口罩。

請留意並遵守貴國的物料加工相關法規。

- ▶ 避免讓工作場所堆積過多的塵埃。塵埃容易被點燃。

**機內吸塵裝備，含集塵盒（請參考圖 C1-C4）**

安裝集塵盒 (6) 之前，請先拔下塑料插條 (13)。將集塵盒 (6) 套到排放接管 (14) 上，直到卡緊為止。請注意：螺栓塑料插條 (13) 應嵌進固定裝置 (12) 裡。

若要清空集塵盒 (6)，請按壓集塵盒 (6) 側面的鎖止扳片 (15)。往下拔下集塵盒 (6)。

打開集塵盒 (6) 之前，應如圖所示將集塵盒往穩固平面上敲一敲，以便將濾芯上的塵垢抖鬆。

從掌握凹槽抓住集塵盒 (6)，將濾芯 (16) 往上翻開，然後將集塵盒倒空。用軟刷清潔濾芯 (16) 上的濾網層。

**外接的吸塵裝備（請參考圖 D）**

將吸塵轉接頭 (17) 插到排塵接管 (14) 上。務必讓吸塵轉接頭上的鎖止扳片正確卡緊。吸塵轉接頭 (17) 可連接直徑 19 mm 的吸塵管。

若要拆卸吸塵轉接頭 (17)，請將其後方的鎖止扳片壓合，並同時將吸塵轉接頭拔下。

根據工件材質選擇合適的吸塵裝置。

吸集可能危害健康、可能致癌或乾燥的廢塵時，務必使用特殊吸塵裝置。

在垂直平面上操作電動工具時，必須以吸塵管朝下的方式握持電動工具。

#### 機內吸塵裝備，含集塵袋（請參考圖 E）

進行規模較小的作業時，您可連接集塵袋（配件）**(19)**。

安裝集塵袋**(19)**之前，請先拔下塑料插條**(13)**。將集塵袋套管插到排塵接管**(14)**。請注意：螺栓塑料插條**(13)**應嵌進專門為其設置的固定裝置**(19)**裡。

請適時清空集塵袋**(19)**，以維持最佳吸塵效果。

#### 輔助手柄

握住輔助手柄**(1)**可讓您操作機器時更加輕鬆，同時也是施工力道最均衡的作業方式（尤其是在研磨去除率較高時）。

利用螺栓**(2)**將輔助手柄**(1)**固定於機殼上。

## 操作

#### 操作機器

- ▶ **請注意電源電壓！**電源的電壓必須和電動工具銘牌上標示的電壓一致。標示為 **230 V** 的電動工具亦可接上 **220 V** 電源。

#### 啟動／關閉

- ▶ **請確定您不用放開把手，就能操作起停開關。**

若要**啟動**電動工具，請按下起停開關**(4)**並按住不放。

若要**固定起停開關****(4)**的位置，請將它按住不放並同時按壓鎖止按鍵**(5)**。

若要**關閉**電動工具，放開起停開關**(4)**即可。起停開關**(4)**的位置若是已被鎖定，請按一下該開關然後放開。

#### 設定振蕩次數

利用振蕩次數設定轉鈕**(3)**，即使是在工具運作期間，亦可按照需求設定振蕩次數。

1 - 2 低振蕩次數

3 - 4 中振蕩次數

5 - 6 高振蕩次數

正確的振蕩次數是由加工材質和工作條件決定，唯有實際操作才能夠找出最合適的振蕩次數。

電子穩定控制系統可在機器不論是空轉或負載時保持幾乎相同的振蕩次數，以確保運轉性能均衡一致。

使用低振蕩次數長期操作之後，應該讓電動工具以最大振蕩次數空轉約 3 分鐘來幫助機器冷卻。

#### 磨盤緩速器

機器空轉時，它內部的磨盤緩速器會降低磨盤的振蕩次數，以避免將電動工具放在工件上時造成不必要的凹槽。

如果空轉振蕩次數不斷上升，代表磨盤已經損壞了必須更換，或是磨盤緩速器完全磨損了。已完全磨損的磨盤緩速器必須交由博世電動工具公司授權的客戶服務處更換。

#### 作業注意事項

- ▶ **維修電動工具或換裝零、配件之前，務必從插座上拔出插頭。**
- ▶ **等待電動工具完全靜止後才能夠放下機器。**
- ▶ **本電動工具並不適用於以不移動的方式進行加工。**不得將它夾入老虎鉗或固定在工作桌上。

#### 研磨平面

啟動電動工具，把整個研磨面平貼在待研磨的表面上，並均力地在工件上移動機器。

磨除效率與研磨效果原則上取決於所選用的研磨片、設定的振蕩級以及操作機器時施力的大小。

只有完好的研磨片才能夠提高研磨效率，並且保護電動工具。

操作機器時要均力施壓，如此才能夠提高研磨片的使用壽命。

在機器上施力過度，不僅無法提高研磨效率，機器反而容易損壞並加速研磨片耗損。

不可以使用研磨過金屬的研磨片來研磨其它材質。僅可使用 **Bosch** 原廠研磨配件。

#### 粗磨

安裝粒度粗的研磨片。

只能輕按電動工具，這樣它才能夠以較高的振蕩次數運轉，並達到較高的材料磨除率。

#### 細磨

安裝粒度細的研磨片。

藉由稍微變換施壓力道或變更振蕩次數的設定檔速，即可降低磨盤振蕩次數但機器偏心運作的移動方式維持不變。

採用繞圈或縱向、橫向輪流的方式，力道均勻地在工件上移動電動工具。勿讓研磨機歪斜，以避免磨穿工件，例如木工粘皮。

工作完成後隨手關閉電動工具。

#### 拋光

在電動工具上安裝合適的拋光工具後，例如羊毛罩、拋光絨布或拋光海綿（配件）等，也可以使用本電動工具拋光受氣候侵蝕的漆層和刮痕（例如安全玻璃）。

拋光時請選擇較低振蕩次數（檔速 1 - 2），以免表面過熱。

拋光時，先在一處小面積上塗抹拋光劑，接著再使用合適的拋光工具，採縱橫交錯或繞圈的方式，力道均勻地推抹拋光劑。

不可讓塗在拋光表面上的拋光劑乾掉，這樣會損壞拋光表面。不可以讓陽光直接照射待拋光的表面。

請定期清潔拋光工具，以確保拋光效果良好。使用溫和的清潔劑和溫水清洗拋光工具。勿使用稀釋劑。

## 維修和服務

### 維修和清潔

- ▶ 維修電動工具或換裝零、配件之前，務必從插座上拔出插頭。
- ▶ 電動工具和通風口都必須保持清潔，這樣才能夠提高工作品質和安全性。

如果必須更換連接線，請務必交由 **Bosch** 或者經授權的 **Bosch** 電動工具顧客服務執行，以避免危害機器的安全性能。

### 顧客服務處和顧客諮詢中心

本公司顧客服務處負責回答有關本公司產品的維修、維護和備用零件的問題。以下的網頁中有分解圖和備用零件相關資料：[www.bosch-pt.com](http://www.bosch-pt.com)  
如果對本公司產品及其配件有任何疑问，博世應用諮詢小組很樂意為您提供協助。  
當您需要諮詢或訂購備用零件時，請務必提供本產品型號銘牌上 10 位數的產品機號。

#### 中國香港和澳門特別行政區

羅伯特·博世有限公司  
香港北角英皇道625號21樓  
客戶服務熱線：+852 2101 0235  
電子郵件：info@hk.bosch.com  
[www.bosch-pt.com.hk](http://www.bosch-pt.com.hk)

#### 台灣

台灣羅伯特博世股份有限公司  
建國北路一段90號6樓  
台北市10491  
電話：(02) 7734 2588  
傳真：(02) 2516 1176  
[www.bosch-pt.com.tw](http://www.bosch-pt.com.tw)

#### 製造商地址：

Robert Bosch Power Tools GmbH  
羅伯特·博世電動工具有限公司  
70538 Stuttgart / GERMANY  
70538 斯圖加特/ 德國

### 廢棄物處理

必須以符合環保的方式，回收再利用損壞的機器、配件和廢棄的包裝材料。



不可以把電動工具丟入一般的家庭垃圾中。

## ไทย

### คำเตือนเพื่อความปลอดภัย

#### คำเตือนเพื่อความปลอดภัยทั่วไปสำหรับเครื่องมือไฟฟ้า

**คำเตือน** อ่านคำเตือนเพื่อความปลอดภัย คำแนะนำ ภาพประกอบ และข้อมูล

จำเพาะทั้งหมดที่จัดส่งมาพร้อมกับเครื่องมือไฟฟ้า

การไม่ปฏิบัติตามคำแนะนำทั้งหมดที่ระบุไว้ด้านล่างนี้อาจทำให้ถูกไฟฟ้าดูด เกิดไฟไหม้ และ/หรือได้รับบาดเจ็บอย่างร้ายแรง

เก็บรักษาคำเตือนและคำสั่งทั้งหมดสำหรับเปิดอ่านในภายหลัง

คำว่า "เครื่องมือไฟฟ้า" ในคำเตือนหมายถึง เครื่องมือไฟฟ้าของท่านที่ทำงานด้วยพลังงานไฟฟ้าจากแหล่งจ่ายไฟหลัก (มีสายไฟฟ้า) และเครื่องมือไฟฟ้าที่ทำงานด้วยพลังงานไฟฟ้าจากแบตเตอรี่ (ไร้สาย)

#### ความปลอดภัยในสถานที่ทำงาน

- ▶ รักษาสถานที่ทำงานให้สะอาดและมีไฟส่องสว่างดี สถานที่ที่มีมืดหรือกรงจิ้งจอกซึ่งอุบัติเหตุ
- ▶ อย่าใช้เครื่องมือไฟฟ้าทำงานในสภาพบรรยากาศที่จุดติดไฟได้ เช่น ในที่ที่มีของเหลวไวไฟ ก๊าซ หรือฝุ่น เมื่อใช้เครื่องมือไฟฟ้าจะเกิดประกายไฟซึ่งอาจจุดฝุ่นหรือไอให้ลุกเป็นไฟได้
- ▶ ขณะใช้เครื่องมือไฟฟ้าทำงาน ต้องกันเด็กและผู้ยืนดูให้ออกห่าง การหันเหความสนใจอาจทำให้ท่านขาดการควบคุมเครื่องมือ

#### ความปลอดภัยเกี่ยวกับไฟฟ้า

- ▶ ปลั๊กของเครื่องมือไฟฟ้าต้องเหมาะพอดีกับเต้าเสียบ อย่าตัดแปลงปลั๊กไม่ว่าในลักษณะใดๆ อย่างเด็ดขาด อย่าใช้ปลั๊กฟ่วงต่อใดๆ กับเครื่องมือไฟฟ้าที่มีสายดิน ปลั๊กที่ไม่ตัดแปลงและเต้าเสียบที่เข้ากันช่วยลดความเสี่ยงจากการถูกไฟฟ้าดูด
- ▶ หลีกเลี่ยงอย่าให้ร่างกายสัมผัสกับพื้นผิวที่ต่อสายดินหรือลงกราวด์ไว้ เช่น ห่อ เครื่องทำความร้อน เต้า และตู้เย็น จะเสี่ยงอันตรายจากการถูกไฟฟ้าดูดมากขึ้นหากกระแสไฟฟ้าวิ่งผ่านร่างกายของท่านลงดิน

- ▶ อย่าให้เครื่องมือไฟฟ้าถูกฝนหรืออยู่ในสภาพเปียกชื้น หากน้ำเข้าไปในเครื่องมือไฟฟ้า จะเพิ่มความเสี่ยงจากการถูกไฟฟ้าดูด
- ▶ อย่าใช้สายไฟฟ้าในทางที่ผิด อย่าใช้สายไฟฟ้าเพื่อยก ดึง หรือถอดปลั๊กเครื่องมือไฟฟ้า กั้นสายไฟฟ้าออกจากความร้อน น้ำมัน ขอบแหลมคม หรือชิ้นส่วนที่เคลื่อนที่ สายไฟฟ้าที่ชำรุดหรือพันกันยุ่งเพิ่มความเสี่ยงจากการถูกไฟฟ้าดูด
- ▶ เมื่อใช้เครื่องมือไฟฟ้าทางานกลางแจ้ง ให้ใช้สายไฟฟ้ที่เหมาะสำหรับการใช้งานกลางแจ้ง การใช้สายไฟฟ้ที่เหมาะสำหรับงานกลางแจ้ง แฉงช่วยลลดอันตรายจากการถูกไฟฟ้าดูด
- ▶ หากไม่สามารถหลีกเลี่ยงการใช้เครื่องมือไฟฟ้าทำงานในสถานที่เปียกชื้นได้ ให้ใช้สว้ท์ตัดวงจรเมื่อเกิดการรั่วไหลของไฟฟ้าจากสายดิน (RCD) การใช้สว้ท์ตัดวงจรเมื่อเกิดการรั่วไหลของไฟฟ้าจากสายดินช่วยลดความเสี่ยงต่อการถูกไฟฟ้าดูด

#### ความปลอดภัยของบุคคล

- ▶ ท่านต้องอยู่ในสภาพเตรียมพร้อม ระมัดระวังในสิ่งที่ท่านกำลังทำอยู่ และมีสติขณะใช้เครื่องมือไฟฟ้าทำงาน อย่าใช้เครื่องมือไฟฟ้าขณะที่ท่านกำลังเหนื่อย หรืออยู่ภายใต้การครอบงำของฤทธิ์ของยาเสพติด แอลกอฮอล์ และยา เมื่อใช้เครื่องมือไฟฟ้าทำงานในชั้นานที่ที่ท่านขาดความเอาใจใส่อาจทำให้บุคคลบาดเจ็บอย่างรุนแรงได้
- ▶ ใช้อุปกรณ์ปกป้องร่างกาย สวมแว่นตาป้องกันเสมอ อุปกรณ์ปกป้อง เช่น หน้ากากกันฝุ่น รองเทากันลื่น หมวกแข็ง หรือประภคทุกกั้นเสียงดังที่ไซตามความเหมาะสมกับสภาพการทำงาน จะลดการบาดเจ็บทางร่างกาย
- ▶ ป้องกันการติดเครื่องโดยไม่ตั้งใจ ตรวจสอบให้แน่ใจว่าสว้ท์ห้อยอยู่ในตำแหน่งปิดก่อนเชื่อมต่อกับแหล่งจ่ายไฟ และ/หรือเบรคเตอร์เฟ้ค ยกหรือถือเครื่องมือการถือเครื่องโดยใช้นิ้วหัวที่สว้ท์ หรือเสียบปลั้งไฟฟ้าขณะสว้ท์ห้อยเปิดอยู่ อาจนำไปสู่อุบัติเหตุที่ร้ายแรงได้
- ▶ นำเครื่องมือปรับแต่งหรือประแปกคายออกก่อนเปิดสว้ท์เครื่องมือไฟฟ้า เครื่องมือหรือประแปกคายที่วางอยู่กับสว้นของเครื่องที่ก้าล้งหมุมจะทำให้บุคคลบาดเจ็บได้
- ▶ อย่าเอี้อมไกลเกินไป ตั้งทำยีนที่มั่นคงและวางน้ำหนักให้สมดุลตลอดเวลา ในลักษณะนี้ท่านสามารถควบคุมเครื่องมือไฟฟ้าในสถานการณ์ที่ไม่คาดคิดได้ดีกว่า
- ▶ แต่งกายอย่างเหมาะสม อย่าใส่เสื้อผ้าหลวมหรือสวมเครื่องประดับ เอาหมและเสื้อผ้าออกจากชิ้นส่วนที่

- เคลื่อนที่ เสื้อผ้าหลวม เครื่องประดับ และหม ยาวอาจเข้าไปติดในชิ้นส่วนที่เคลื่อนที่
- ▶ หากเครื่องมือไฟฟ้ามีข้อเชื่อมต่อกับเครื่องดูดฝุ่นหรือเครื่องเก็บผง ให้ตรวจสอบให้แน่ใจว่าได้เชื่อมต่อและใช้งานอย่างถูกต้อง การใช้อุปกรณ์ดูดฝุ่นช่วยลลดอันตรายที่เกิดจากฝุ่นได้
- ▶ เมื่อใช้งานเครื่องบอยครั้งจะเกิดความคุ้นเคย อย่าให้ความคุ้นเคยทำให้ท่านเกิดความชะล่าใจและละเลยกฎเกณฑ์ด้านความปลอดภัยในการใช้งานเครื่อง การทำงานอย่างไม่ระมัดระวังอาจทำให้เกิดการบาดเจ็บอย่างร้ายแรงภายในเสี้ยววินาที

#### การใช้และการดูแลรักษาเครื่องมือไฟฟ้า

- ▶ อย่าฝืนกำลังเครื่องมือไฟฟ้า ใช้เครื่องมือไฟฟ้าที่ถูกต้องตรงตามลักษณะงานของท่าน เครื่องมือไฟฟ้าที่ถูกต้องจะทำงานได้ดีกว่าและปลอดภัยกว่าในระดับสมรรถภาพที่ออกแบบไว้
- ▶ อย่าใช้เครื่องมือไฟฟ้าถ้าสว้ท์ไม่สามารถเปิดปิดได้ เครื่องมือไฟฟ้าที่ไม่สามารถควบคุมการเปิดปิดด้วยสว้ท์ได้ เป็นเครื่องมือไฟฟ้าที่ไม่ปลอดภัยและต้องส่งซ่อมแซม
- ▶ ก่อนปรับแต่งเครื่อง เปลี่ยนอุปกรณ์ประกอบ หรือเก็บเครื่องเข้าที่ ต้องถอดปลั๊กออกจากแหล่งจ่ายไฟ และ/หรือถอดเบรคเตอร์เฟ้คออกจากเครื่องมือไฟฟ้าหากถอดออกได้ มาตรการป้องกันเพื่อความปลอดภัยนี้ช่วยลดความเสี่ยงจากการติดเครื่องโดยไม่ตั้งใจ
- ▶ เมื่อเลิกใช้งานเครื่องมือไฟฟ้า ให้เก็บเครื่องไว้ในที่ที่เด็กหยิบไม่ถึง และไม่อนุญาตให้บุคคลที่ไม่คุ้นเคยกับเครื่องหรือบุคคลที่ไม่ได้อ่านคำแนะนำเหล่านี้ใช้เครื่องมือไฟฟ้าเป็นชองอันตรายหากตกอยู่ในมือของผู้ใช้ที่ไม่ได้รับการฝึกฝน
- ▶ บำรุงรักษาเครื่องมือไฟฟ้าและอุปกรณ์ประกอบ ตรวจสอบชิ้นส่วนที่เคลื่อนที่ว่าวางไม่ตรงแนวหรือติดขัดหรือไม่ ตรวจสอบการแตกหักของชิ้นส่วนและสภาพอื่นใดที่อาจมีผลต่อการทำงานของเครื่องมือไฟฟ้า หากชำรุดต้องส่งเครื่องมือไฟฟ้าไปซ่อมแซมก่อนใช้งาน อุบัติเหตุหลายอย่างเกิดขึ้นเนื่องจากดูแลรักษาเครื่องไม่ดีพอ
- ▶ รักษาเครื่องมือตัดให้คมและสะอาด หากบำรุงรักษาเครื่องมือที่มีขอบตัดแหลมคมอย่างถูกต้อง จะสามารถตัดได้ลื่นไม่ติดขัดและควบคุมได้ง่ายกว่า
- ▶ ใช้เครื่องมือไฟฟ้า อุปกรณ์ประกอบ เครื่องมือ และอุปกรณ์อื่นๆ ตรงตามคำแนะนำเหล่านี้ โดยคำนึงถึงเงื่อนไขการทำงานและงานที่จะทำ การใช้เครื่อง

มือไฟฟ้าทำงานที่ต่างไปจากวัตถุประสงค์การใช้งานของเครื่อง อาจนำไปสู่สถานการณ์ที่เป็นอันตรายได้

- ▶ **ดูแลคัมจับและพื้นผิวจับให้แห้ง สะอาด และปราศจากคราบน้ำมันและจาระบี** คัมจับและพื้นผิวจับที่ลื่นทำให้หยิบจับได้ไม่ปลอดภัย และไม่สามารถควบคุมเครื่องมือในสถานการณ์ที่ไม่คาดคิด

#### การบริการ

- ▶ **ส่งเครื่องมือไฟฟ้าของท่านเข้ารับบริการจากช่างซ่อมที่มีคุณสมบัติเหมาะสม โดยใช้อะไหล่ที่เหมือนกันเท่านั้น** ในลักษณะนี้ท่านจะแน่ใจได้ว่าเครื่องมือไฟฟ้าอยู่ในสภาพที่ปลอดภัย

#### คำเตือนเพื่อความปลอดภัยสำหรับเครื่องขัด

- ▶ **ใช้เครื่องมือไฟฟ้าสำหรับการขัดแห้งเท่านั้น** หากน้ำเข้าไปในเครื่องมือไฟฟ้า จะเพิ่มความเสี่ยงต่อการถูกไฟฟ้าดูด
- ▶ **ตรวจสอบให้แน่ใจว่าไม่มีบุคคลใดได้รับอันตรายจากประกายไฟ นำวัตถุใดๆ ที่ติดไฟได้ในบริเวณใกล้เคียงออกไป** จะเกิดประกายไฟเมื่อขัดโลหะ
- ▶ **ระวังอันตรายจากไฟไหม้! หลีกเลี่ยงการทำให้วัสดุชิ้นงานและเครื่องขัดร้อนเกินไป** ภายหลังจากออกจากกล่องเก็บผงก่อนทำงานทุกครั้ง ในสถานการณ์ที่ไม่เหมาะสม ต. ย. เช่น เมื่อเกิดประกายไฟขณะขัดโลหะ เศษผงที่ได้จากการขัดที่อยู่ในถุงเก็บผง เครื่องกรองไมโคร หรือถุงกระดาษ (หรือในถุงกรอง หรือตัวกรองของเครื่องดูดฝุ่น) อาจจุดลุกเป็นไฟขึ้นเองได้ จะเป็นอันตรายอย่างยิ่งเมื่อเศษผงผสมปนกับเศษสารเคลือบเงา เศษโพลียูรีเทน หรือเศษวัสดุเคมีอื่นๆ และเมื่อเศษผงขัดเกิดร้อนขึ้นหลังจากใช้เครื่องทำงานเป็นเวลานาน
- ▶ **ทำความสะอาดช่องระบายอากาศของเครื่องมือไฟฟ้าอย่างสม่ำเสมอ** พัดลมของมอเตอร์จะดูดผงฝุ่นเข้าไปในหม้อครอบ และผงโลหะที่พอกสะสมกันมากๆ อาจทำให้เกิดอันตรายจากไฟฟ้าได้
- ▶ **จับเครื่องมือไฟฟ้าให้แน่นด้วยมือทั้งสองข้างและตั้งหาขึ้นให้มั่นคงขณะทำงาน** ท่านจะสามารถนำทางเครื่องมือไฟฟ้าได้ปลอดภัยกว่าเมื่อจับเครื่องด้วยมือทั้งสองข้าง
- ▶ **รอให้เครื่องมือไฟฟ้าหยุดนิ่งอยู่กับที่ทุกครั้ง** ก่อนวางเครื่องลงบนพื้น
- ▶ **ยึดชิ้นงานให้แน่น** การยึดชิ้นงานด้วยเครื่องมือหนีบหรือแท่นจับจะมั่นคงกว่าการยึดด้วยมือ

## รายละเอียดผลิตภัณฑ์และข้อมูลจำเพาะ



**อ่านคำเตือนเพื่อความปลอดภัยและคำแนะนำทั้งหมด** การไม่ปฏิบัติตามคำเตือนและคำสั่งอาจเป็นสาเหตุให้ถูกไฟฟ้าดูด เกิดไฟไหม้ และ/หรือได้รับบาดเจ็บอย่างร้ายแรง

กรุณาดูภาพประกอบในส่วนหน้าของคู่มือการใช้งาน

#### ประโยชน์การใช้งานของเครื่อง

เครื่องมือไฟฟ้านี้ใช้สำหรับขัดแห้งบนไม้ พลาสติก โลหะ วัสดุอุดแทรก และผิวเคลือบเงา

เครื่องมือไฟฟ้าที่ควบคุมด้วยระบบอิเล็กทรอนิกส์ใช้สำหรับขัดเงาได้ด้วย

#### ส่วนประกอบที่แสดงภาพ

ลำดับเลขของส่วนประกอบผลิตภัณฑ์อ้างอิงถึงส่วนประกอบของเครื่องที่แสดงในหน้าภาพประกอบ

- (1) คัมจับเพิ่ม (พื้นผิวจับหุ้มฉนวน)<sup>A)</sup>
- (2) สกรูสำหรับคัมจับเพิ่ม<sup>A)</sup>
- (3) สวิตซ์ตั้งอัตราความเร็วสัมพัทธ์บนวงแหวน
- (4) สวิตซ์เปิด-ปิด
- (5) ปุ่มล็อคสวิตซ์เปิด-ปิด
- (6) กล่องเก็บผง สมบูรณ์แบบ (Microfilter System)<sup>A)</sup>
- (7) ประแจขันหกเหลี่ยม
- (8) จานรองขัด
- (9) คัมจับ (พื้นผิวจับหุ้มฉนวน)
- (10) กระดาษทราย<sup>A)</sup>
- (11) สกรูสำหรับจานรองขัด
- (12) ตัวยึดสำหรับกล่องเก็บผง<sup>A)</sup>
- (13) ชิ้นเลื่อนพลาสติก
- (14) ช่องระบายออก
- (15) คันล็อคสำหรับกล่องเก็บผง<sup>A)</sup>
- (16) ตัวกรอง (Microfilter System)<sup>A)</sup>
- (17) ข้อต่อท่อดูดออก<sup>A)</sup>
- (18) ท่อดูดฝุ่น<sup>A)</sup>
- (19) ถุงเก็บผง<sup>A)</sup>

A) อุปกรณ์ประกอบที่แสดงภาพหรืออธิบายไม่รวมอยู่ในการจัดส่งมาตรฐาน  
กรุณาดูอุปกรณ์ประกอบทั้งหมดในรายการแสดงอุปกรณ์ประกอบของเรา



## ข้อมูลทางเทคนิค

เครื่องจักรกระดาษระบบลูกเบี้ยว		GEX 34-125	GEX 34-125	GEX 34-150	GEX 34-150
หมายเลขสินค้า		3 601 C72 3..	3 601 C72 3..	3 601 C72 8..	3 601 C72 8..
กล่องเก็บผงรวมอยู่ในการจัดส่ง		●	–	●	–
การตั้งอัตราแกว่งสันสะเทือนล่วงหน้า		●	●	●	●
กำลังไฟฟ้าที่ติดตั้ง	วัตต์	340	340	340	340
ความเร็วรอบเดินตัวเปล่า	นาที่ <sup>-1</sup>	4500–12000	4500–12000	4500–12000	4500–12000
อัตราแกว่งสันสะเทือนเดินตัวเปล่า	นาที่ <sup>-1</sup>	9000–24000	9000–24000	9000–24000	9000–24000
ระยะเหวี่ยง	มม.	5.0	5.0	4.0	4.0
เส้นผ่าศูนย์กลางจานรองขัด	มม.	125	125	150	150
น้ำหนักตามระเบียบการ EPTA-Procedure 01:2014	กก.	2.0	2.0	2.1	2.1
ระดับความปลอดภัย		☐/	☐/	☐/	☐/

ค่าที่ให้ไว้ใช้ได้กับแรงดันไฟฟ้าอันมอล [U] 230 โวลต์ค่าเหล่านี้อาจเปลี่ยนแปลงไปสำหรับแรงดันไฟฟ้าที่แตกต่างกันและโมเดลที่ผลิตสำหรับเฉพาะประเทศ

## การติดตั้ง

### ▶ ดึงปลั๊กไฟออกจากเต้าเสียบก่อนปรับแต่งเครื่อง

### การเปลี่ยนกระดาษทราย (ดูภาพประกอบ A)

ก่อนใส่กระดาษทรายแผ่นใหม่ ให้เอาฝุ่นและเศษผงออกจากจานรองขัด (8) ต. ย. เช่น โดยใช้แปรงขัดออก  
พื้นผิวของจานรองขัด (8) บุด้วยดินตุ๊กแกเพื่อให้ท่านสามารถยึดกระดาษทรายกับดินตุ๊กแกได้อย่างง่ายดายและรวดเร็ว  
กดกระดาษทราย (10) เข้าบนใต้ฐานจานรองขัด (8) อย่างมั่นคง

เพื่อถอดฝุ่นออกได้ดีที่สุด ต้องเอาใจใส่ดูให้รูเจาะในกระดาษทรายตรงกับรูในแผ่นฐานขัด

### การเลือกจานรองขัด

เครื่องมือไฟฟ้านี้สามารถติดตั้งจานรองขัดที่มีความแข็งต่างกัน ตามประเภทการใช้งาน:

- จานรองขัด นุ่มพิเศษ: เหมาะสำหรับการขัดเงาและการขัดที่ละเอียดอ่อน รวมทั้งการขัดบนพื้นผิวโค้งนูน
- จานรองขัด นุ่ม: เหมาะสำหรับงานขัดทุกประเภท ใช้ได้กับงานทั่วไป
- จานรองขัด แข็ง: เหมาะสำหรับการขัดออกปริมาณมากบนพื้นผิวราบแบน

### การเปลี่ยนจานรองขัด (ดูภาพประกอบ B)

**หมายเหตุ:** ต้องเปลี่ยนจานรองขัด (8) ที่ชำรุดโดยทันที ดึงกระดาษทรายหรืออุปกรณ์ขัดเงาออก ชันสกรู (11) ออกจนสุด และถอดจานรองขัด (8) ออก ใส่จานรองขัด (8) แผ่นใหม่เข้าไปและขันสกรูลับเข้าให้แน่น

**หมายเหตุ:** พันเกี่ยวสำหรับ Pad Ø 150 และ Pad Ø 125 จะแตกต่างกัน ท่านสามารถติดตั้ง Pad เข้ากับเครื่องมือไฟฟ้าที่เหมาะสมเท่านั้น

**หมายเหตุ:** เมื่อประกอบจานรองขัดเข้า ดูให้มันใจว่าพันเกี่ยวของตัวขับเคลื่อนได้ขบเข้าในช่องเปิดของจานรองขัด

**หมายเหตุ:** หากฐานจานรองขัดชำรุด ต้องส่งเครื่องให้ศูนย์บริการหลังการขายสำหรับเครื่องมือไฟฟ้า บัชซ์ ที่ได้รับมอบหมาย ทำการเปลี่ยนให้เท่านั้น

### การดูแลฝุ่น/ขี้เลื่อย

ฝุ่นที่ได้จากวัสดุ เช่น เคลือบผิวที่มีสารตะกั่ว ไม้ยางประเภทแร้ชาติ และโลหะ อาจเป็นอันตรายต่อสุขภาพ การสัมผัสหรือการหายใจเอาฝุ่นเข้าไปอาจทำให้เกิดปฏิกิริยาแพ้ฝุ่น และ/หรือนำมาซึ่งโรคติดเชื้อระบบหายใจแก่ผู้  
ใช้เครื่องหรือผู้ที่ยืนอยู่ใกล้เคียง  
ฝุ่นบางประเภท เช่น ฝุ่นไม้โอ๊ก หรือไม้บีช นับเป็นสารที่ทำให้เกิดมะเร็ง โดยเฉพาะอย่างยิ่งเมื่อผสม

กับสารเติมแต่งเพื่อบำบัดไม้ (โครเมต ผลิตภัณฑ์รักษาเนื้อไม้) สำหรับวัสดุที่มีแอลกอฮอล์สูงให้ผู้เชี่ยวชาญทำงานเท่านั้น

- ใช้ระบบดูดฝุ่นออกที่เหมาะสมกับประเภทวัสดุ มากเท่าที่จะทำได้
- จัดสถานที่ทำงานให้มีการระบายอากาศที่ดี
- ขอแนะนำให้สวมหน้ากากป้องกันการติดเชื้อที่มีระดับ-ใส่กรอง P2

ปฏิบัติตามกฎข้อบังคับสำคัญอื่นๆ ที่เกี่ยวกับวัสดุชิ้นงานที่บังคับใช้ในประเทศของท่าน

- ▶ **ป้องกันการสะสมของฝุ่นในสถานที่ทำงาน**  
ฝุ่นสามารถถูกใหม่อย่างง่ายตาย

#### **การดูดฝุ่นในตัวด้วยกล่องเก็บผง (ดูภาพประกอบ C1-C4)**

ก่อนดำเนินการติดตั้งกล่องเก็บผง (6) ให้ดึงชิ้นเลื่อนพลาสติก (13) ออก ใส่กล่องเก็บผง (6) เข้าบนท่อระบายออก (14) จนเข้าล็อก รมัตระวังไม่ให้ชิ้นเลื่อนพลาสติก (13) เกี่ยวเข้าไปในตัวยัด (12)

เมื่อต้องการถ่ายผงออกจากกล่องเก็บผง (6) ให้กดก้านล็อก (15) บนด้านข้างของกล่องเก็บผง (6) ถอดกล่องเก็บผงโดยดึงลง (2)

ก่อนเปิดกล่องเก็บผง (6) ท่านควรเคาะกล่องเก็บผงบนพื้นผิวแข็งๆ เพื่อคลายผงออกจากตัวกรองดังแสดงในภาพประกอบจับกล่องเก็บผง (6) ตรงลวดนิ้ว พับตัวกรอง (16) ขึ้นด้านบนและถ่ายผงออก ทำความสะอาดครีบบนของตัวกรอง (16) ด้วยแปรงขนอ่อน

#### **การดูดฝุ่นด้วยเครื่องดูดฝุ่นภายนอก (ดูภาพประกอบ D)**

สวมข้อต่อท่อดูดออก (17) เข้าบนท่อระบายออก (14) ตรวจสอบให้แน่ใจว่าก้านล็อกของอะแดปเตอร์ดูดล็อกเข้าสามารถเชื่อมต่อกับอะแดปเตอร์ดูด (17) เข้ากับท่อดูดที่มีขนาดเส้นผ่าศูนย์กลาง 19 มม. ได้ ถอดอะแดปเตอร์ดูด (17) โดยบีบคั้นล็อกด้านหลังเข้าด้วยกัน และดึงอะแดปเตอร์ดูดออก

เครื่องดูดฝุ่นต้องมีลักษณะการใช้งานที่เหมาะสมกับประเภทวัสดุชิ้นงาน

ในกรณีดูดฝุ่นแห้งที่เป็นอันตรายต่อสุขภาพอย่างยิ่งหรืออาจก่อให้เกิดมะเร็งได้ ให้ใช้เครื่องดูดฝุ่นพิเศษ เมื่อทำงานบนพื้นผิวตามแนวตั้ง ต้องจับเครื่องมือไฟฟ้าในลักษณะให้ท่อดูดฝุ่นหันลงข้างล่าง

#### **การดูดฝุ่นในตัวพร้อมถุงเก็บผง (ดูภาพประกอบ E)**

สำหรับงานเล็กๆ คุณสามารถเชื่อมต่อถุงเก็บผง (อุปกรณ์เสริม) (19)

ก่อนดำเนินการติดตั้งถุงเก็บผง (19) ให้ดึงชิ้นเลื่อนพลาสติก (13) ออก เสียขต่อถุงเก็บผงให้แน่นเข้าบนข้อต่อเข้าออก

(14) รมัตระวังไม่ให้ชิ้นเลื่อนพลาสติก (13) เกี่ยวเข้าไปในตัวยัดบริเวณถุงเก็บผง (19) ที่จัดไว้

ถ่ายถุงเก็บผงออกทั้งหมด (19) อย่างทันท่วงทีเพื่อให้การดูดฝุ่นมีประสิทธิภาพมากที่สุด

#### **ตามจับเพิ่ม**

ตามจับเพิ่ม (1) ทำให้จับเครื่องได้สะดวกและกระจายกำลังได้ดีที่สุด โดยเฉพาะอย่างยิ่งเมื่อต้องการขัดออกมาก ยึดตามจับเพิ่ม (1) เข้ากับครอบเครื่องด้วยสกรู (2)

## **การปฏิบัติงาน**

### **การเริ่มต้นปฏิบัติงาน**

- ▶ **ให้สังเกตแรงดันไฟฟ้า! แรงดันไฟฟ้าจากแหล่งจ่ายไฟฟ้าต้องมีค่าตรงกับค่าแรงดันไฟฟ้าที่ระบุไว้บนแผ่นป้ายพิกัดเครื่อง เครื่องมือไฟฟ้าที่มีเครื่องหมาย 230 โวลท์ สามารถใช้งานกับ 220 โวลท์ ได้ด้วย**

### **การเปิด-ปิดเครื่อง**

- ▶ **ตรวจสอบให้แน่ใจว่าท่านสามารถใช้งานสวิตช์เปิด-ปิดได้โดยไม่ต้องปล่อยตามจับ**

**เปิดสวิตช์** เครื่องมือไฟฟ้าโดยกดสวิตช์เปิด-ปิด (4) และกดค้างไว้

**ล็อกสวิตช์เปิด-ปิด (4)** โดยกดสวิตช์เปิด-ปิดค้างไว้ และกดปุ่มล็อกสวิตช์เปิด-ปิด (5) เพิ่ม

**ปิดสวิตช์** เครื่องมือไฟฟ้าโดยปล่อยนิ้วจากสวิตช์เปิด-ปิด (4) ในกรณีที่สวิตช์เปิด-ปิด (4) ถูกล็อกอยู่ ให้กดสวิตช์เปิด-ปิดก่อนและปล่อยนิ้ว

### **การตั้งอัตราแกว่งสั่นสะเทือนล่วงหน้า**

ท่านสามารถเลือกอัตราแกว่งสั่นสะเทือนที่ต้องการไว้ล่วงหน้าได้ด้วยสวิตช์ตั้งอัตราแกว่งสั่นสะเทือนล่วงหน้า (3) ปรับตั้งได้แม้ขณะเครื่องกำลังทำงานอยู่

1 - 2 อัตราแกว่งต่ำ

3 - 4 อัตราแกว่งปานกลาง

5 - 6 อัตราแกว่งสูง

อัตราแกว่งสั่นสะเทือนที่ต้องการขึ้นอยู่กับประเภทวัสดุชิ้นงานและเงื่อนไขการทำงาน และสามารถกำหนดได้จากการทดลองฝึกปฏิบัติ

ระบบควบคุมอิเล็กทรอนิกส์ที่ทำให้อัตราแกว่งสั่นสะเทือนขณะไม่ได้ใช้งานและขณะโหลดมีค่าเกือบคงที่ และทำให้ได้ประสิทธิภาพการทำงานที่สม่ำเสมอ

หลังทำงานเป็นเวลานานที่อัตราแกว่างต่ำ ต้องทำให้เครื่องเย็นลงโดยปล่อยให้หัวตัวเปล่าที่อัตราแกว่างสูงสุดนานประมาณ 3 นาที

### เบรกจานรองขัด

เบรกจานรองขัดเบ็ดเสร็จจะลดอัตราแกว่างลงขณะเดินตัวเปล่าซึ่งจะป้องกันไม่ให้เกิดรอยขีดข่วนบนเครื่องลงบนชิ้นงาน

หากอัตราแกว่างเดินตัวเปล่าเพิ่มขึ้นอย่างต่อเนื่องตลอดช่วงเวลา จานรองขัดจะชำรุดและต้องเปลี่ยนใหม่ หรือเบรกจานรองขัดจะเสื่อมสภาพหากเบรกจานรองขัดเสื่อมสภาพ ต้องส่งเครื่องให้ศูนย์บริการหลังการขายสำหรับเครื่องมือไฟฟ้า บอชที่ได้รับมอบหมาย ทำการเปลี่ยนให้เท่านั้น

### ข้อแนะนำในการทำงาน

- ▶ **ดึงปลั๊กไฟออกจากเต้าเสียบก่อนปรับแต่งเครื่อง**
- ▶ **รอให้เครื่องมือไฟฟ้าหยุดนิ่งอยู่กับที่ทุกครั้งก่อนวางเครื่องลงบนพื้น**
- ▶ **เครื่องมือไฟฟ้าไม่เหมาะสำหรับการทำงานแบบอยู่กับที่** ไม่ควรยึดเครื่อง ตัวอย่าง เช่น ไขวุ่นปากกาจับชิ้นงานหรือยึดไว้บนโต๊ะทำงาน

### การขัดพื้นผิว

เปิดเครื่องมือไฟฟ้าทำงาน จับเครื่องโดยให้พื้นผิวขัดทั้งหมดวางบนพื้นผิวของชิ้นงาน และเคลื่อนเครื่องด้วยแรงกดพอประมาณไปบนชิ้นงาน

โดยทั่วไป รูปแบบการขัดและความสามารถในการขัดออกขึ้นอยู่กับชนิดของกระดาษทรายที่เลือกใช้ ชั้นความเร็วรอบที่เลือกล่วงหน้า และแรงกดการขัด

กระดาษทรายสภาพดีเท่านั้นที่จะขัดได้ดีมีประสิทธิภาพ และช่วยยืดอายุการใช้งานของเครื่องมือไฟฟ้า

เอาใจใส่กดเครื่องลงบนชิ้นงานด้วยแรงกดที่ราบเรียบเสมอกันเพื่อยืดอายุการใช้งานของกระดาษทราย

การใช้แรงกดลงมากเกินไปไม่ช่วยเพิ่มประสิทธิภาพการขัด แต่จะทำให้เครื่องมือไฟฟ้าและกระดาษทรายสึกหรอมากขึ้น กระดาษทรายที่ขัดโลหะไปแล้ว ไม่ควรนำมาขัดวัสดุประเภทอื่น

ใช้เฉพาะอุปกรณ์ขัดของแท้ **Bosch** เท่านั้น

### การขัดหยาบ

ใส่กระดาษทรายชนิดเม็ดหยาบ

กดเครื่องมือไฟฟ้าลงด้วยแรงกดพอประมาณเท่านั้น เพื่อว่าเครื่องจะได้วิ่งที่ความเร็วรอบสูงชิ้นและสามารถขัดวัสดุออกได้มากขึ้น

### การขัดละเอียด

ใส่กระดาษทรายเม็ดละเอียด

เมื่อเปลี่ยนแรงกดเพียงเล็กน้อย หรือเมื่อเปลี่ยนชั้นอัตราแกว่างสั้นสะท้อน จะสามารถลดอัตราแกว่างของจานรองขัดได้ โดยที่การวิ่งเยื้องศูนย์กลางมีอยู่

เคลื่อนเครื่องไปบนชิ้นงาน/พื้นผิวด้วยแรงกดปานกลาง

ภายในลักษณะเป็นวงกลมหรือตามยาวและตามขวางสลับกัน อย่าจับเครื่องมือไฟฟ้าเอียง ทั้งนี้เพื่อหลีกเลี่ยงการขัดผ่านทะลุชิ้นงาน (ต. ย. เช่น เมื่อขัดไม้ต่อบาง)

เมื่อกระบวนการทำงานสิ้นสุด ให้ปิดสวิตช์เครื่อง

### การขัดเงา

สำหรับการขัดเงาสีหมอกคล้ำจากการตากแดดตากลม หรือขัดเงารอยขีดข่วน (ต. ย. เช่น กระจกอะคริลิก) ท่านสามารถประกอบอุปกรณ์ขัดเงาที่เหมาะสมเข้ากับเครื่องมือไฟฟ้าได้ เช่น บอนเนตขนแกะ ผ้าสักหลาด หรือฟองน้ำ (อุปกรณ์ประกอบ)

เลือกอัตราแกว่างต่ำ (ชั้น 1 - 2) สำหรับการขัดเงา ทั้งนี้เพื่อหลีกเลี่ยงไม่ให้พื้นผิวร้อนเกินไป

ป้ายยาขัดเงาลงบนพื้นผิวให้ค่อนข้างเล็กกว่าบริเวณที่ท่านตั้งใจจะขัดใช้เครื่องมือขัดเงาที่เหมาะสมปาดยาขัดเงาไปตามขวางหรือเคลื่อนเป็นวงกลมและใช้แรงกดพอประมาณ

อย่าปล่อยให้ยาขัดเงาแห้งผากบนพื้นผิว มิฉะนั้นพื้นผิวอาจเสียหายได้อย่าให้พื้นผิวที่จะขัดเงาได้รับแสงแดดโดยตรง

ทำความสะอาดอุปกรณ์ขัดเงาเป็นประจำเพื่อให้ได้งานขัดเงาที่ดี ชักล้างอุปกรณ์ขัด

เงาด้วยน้ำยาซักฟอกชนิดอ่อนและน้ำอุ่น และอย่าใช้ทินเนอร์ที่ใส่ผสมสี

## การบำรุงรักษาและการบริการ

### การบำรุงรักษาและการทำความสะอาด

- ▶ **ดึงปลั๊กไฟออกจากเต้าเสียบก่อนปรับแต่งเครื่อง**
- ▶ **เพื่อให้ทำงานได้อย่างถูกต้องและปลอดภัย ต้องรักษาเครื่องและช่องระบายอากาศให้สะอาดอยู่เสมอ**

หากจำเป็นต้องเปลี่ยนสายไฟฟ้า ต้องส่งเครื่องให้ **Bosch** หรือศูนย์บริการหลังการขายที่ได้รับมอบหมายสำหรับเครื่องมือไฟฟ้า **Bosch** เปลี่ยนให้ ทั้งนี้เพื่อหลีกเลี่ยงอันตราย

### การบริการหลังการขายและการให้คำปรึกษาการใช้งาน

ศูนย์บริการหลังการขายของเรายินดีตอบคำถามของท่านที่เกี่ยวกับการบำรุงรักษาและการซ่อมแซมผลิตภัณฑ์รวมทั้งเรื่องอะไหล่ ภาพเขียนแบบการประกอบและข้อมูลเกี่ยวกับอะไหล่ กรุณาดูใน: [www.bosch-pt.com](http://www.bosch-pt.com)

ทีมงานที่ปรึกษาของ บอช ยินดีให้ข้อมูลเกี่ยวกับผลิตภัณฑ์ของเราและอุปกรณ์ประกอบต่างๆ

เมื่อต้องการสอบถามและสั่งซื้ออะไหล่ กรุณาแจ้งหมายเลขสินค้า 10 หลักบนแผ่นป้ายรุ่นของผลิตภัณฑ์ทุกครั้ง

### ไทย

ไทย บริษัท โรเบิร์ต บอช จำกัด

เอฟวายไอ เซ็นเตอร์ อาคาร 1 ชั้น 5

เลขที่ 2525 ถนนพระราม 4

แขวงคลองเตย เขตคลองเตย กรุงเทพฯ 10110

โทร: +66 2012 8888

แฟกซ์: +66 2064 5800

www.bosch.co.th

ศูนย์บริการซ่อมและฝึกอบรม บอช

อาคาร ลาซาลทาวเวอร์ ชั้น G ห้องเลขที่ 2

บ้านเลขที่ 10/11 หมู่ 16

ถนนศรีนครินทร์ ตำบลบางแก้ว อำเภอบางพลี

จังหวัดสมุทรปราการ 10540

ประเทศไทย

โทรศัพท์ 02 7587555

โทรสาร 02 7587525

### การกำจัดขยะ

เครื่องมือไฟฟ้า อุปกรณ์ประกอบ และหีบห่อ ต้องนำไปแยกประเภทเพื่อการรีไซเคิลที่เป็นมิตรต่อสิ่งแวดล้อม

อย่าทิ้งเครื่องมือไฟฟ้าลงในขยะครัวเรือน!



## Bahasa Indonesia

### Petunjuk Keselamatan

#### Petunjuk keselamatan umum untuk perkakas listrik

**⚠ PERINGATAN** Baca semua peringatan, petunjuk, ilustrasi, dan spesifikasi

keselamatan yang diberikan bersama perkakas listrik ini. Kesalahan dalam menjalankan petunjuk di bawah ini dapat mengakibatkan sengatan listrik, kebakaran, dan/atau cedera serius.

**Simpanlah semua peringatan dan petunjuk untuk penggunaan di masa mendatang.**

Istilah "perkakas listrik" dalam peringatan mengacu pada perkakas listrik yang dioperasikan dengan listrik (menggunakan kabel) atau perkakas listrik yang dioperasikan dengan baterai (tanpa kabel).

#### Keamanan tempat kerja

- ▶ **Jaga kebersihan dan pencahayaan area kerja.** Area yang berantakan atau gelap dapat memicu kecelakaan.
- ▶ **Jangan mengoperasikan perkakas listrik di lingkungan yang dapat memicu ledakan, seperti adanya cairan, gas, atau debu yang mudah terbakar.** Perkakas listrik dapat memancarkan bunga api yang kemudian mengakibatkan debu atau uap terbakar.
- ▶ **Jauhkan dari jangkauan anak-anak dan pengamat saat mengoperasikan perkakas listrik.** Gangguan dapat menyebabkan hilangnya kendali.

#### Keamanan listrik

- ▶ **Steker perkakas listrik harus sesuai dengan stopkontak. Jangan pernah memodifikasi steker. Jangan menggunakan steker adaptor bersama dengan perkakas listrik yang terhubung dengan sistem grounding.** Steker yang tidak dimodifikasi dan stopkontak yang cocok akan mengurangi risiko sengatan listrik.
- ▶ **Hindari kontak badan dengan permukaan yang terhubung dengan sistem grounding, seperti pipa, radiator, kompor, dan lemari es.** Terdapat peningkatan risiko terjadinya sengatan listrik jika badan Anda terhubung dengan sistem grounding.
- ▶ **Perkakas listrik tidak boleh terpapar hujan atau basah.** Air yang masuk ke dalam perkakas listrik menambah risiko terjadinya sengatan listrik.
- ▶ **Jangan menyalahgunakan kabel. Jangan gunakan kabel untuk membawa, menarik, atau melepas steker perkakas listrik. Jauhkan kabel dari panas, minyak, tepi yang tajam, atau komponen yang bergerak.** Kabel listrik yang rusak atau tersangkut menambah risiko terjadinya sengatan listrik.
- ▶ **Saat mengoperasikan perkakas listrik di luar ruangan, gunakan kabel ekstensi yang sesuai untuk penggunaan di luar ruangan.** Penggunaan kabel yang cocok untuk pemakaian di luar ruangan mengurangi risiko terjadinya sengatan listrik.
- ▶ **Jika perkakas listrik memang harus dioperasikan di tempat yang lembap, gunakan pemutus arus listrik residu (RCD).** Penggunaan RCD akan mengurangi risiko terjadinya sengatan listrik.

#### Keselamatan personel

- ▶ **Tetap waspada, perhatikan aktivitas yang sedang dikerjakan dan gunakan akal sehat saat mengoperasikan perkakas listrik. Jangan gunakan perkakas listrik saat mengalami kelelahan atau di bawah pengaruh narkoba, alkohol, atau obat-obatan.** Jika perkakas listrik dioperasikan dengan daya konsentrasi yang rendah, hal tersebut dapat menyebabkan cedera serius.
- ▶ **Gunakan peralatan pelindung diri. Selalu kenakan pelindung mata.** Penggunaan perlengkapan pelindung seperti penutup telinga, helm, sepatu anti licin, dan masker debu akan mengurangi cedera.

- ▶ **Hindari start yang tidak disengaja. Pastikan switch berada di posisi off sebelum perkakas listrik dihubungkan ke sumber daya listrik dan/atau baterai, diangkat, atau dibawa.** Membawa perkakas listrik dengan jari menempel pada tombol atau perkakas listrik dalam keadaan hidup dapat memicu kecelakaan.
- ▶ **Singkirkan kunci penyetel atau kunci pas sebelum menghidupkan perkakas listrik.** Perkakas atau kunci pas yang masih menempel pada komponen perkakas listrik yang berputar dapat menyebabkan cedera.
- ▶ **Jangan melampaui batas. Berdirilah secara mantap dan selalu jaga keseimbangan.** Hal ini akan memberikan kontrol yang lebih baik terhadap perkakas listrik pada situasi yang tak terduga.
- ▶ **Kenakan pakaian dengan wajar. Jangan mengenakan perhiasan atau pakaian yang longgar. Jauhkan rambut dan pakaian dari komponen yang bergerak.** Pakaian yang longgar, rambut panjang, atau perhiasan dapat tersangkut dalam komponen yang bergerak.
- ▶ **Jika disediakan perangkat untuk sambungan pengisapan debu dan alat pengumpulan, pastikan perangkat tersebut terhubung dan digunakan dengan benar.** Penggunaan alat pengumpulan dapat mengurangi bahaya yang disebabkan oleh debu.
- ▶ **Jangan berpuas diri dan mengabaikan prinsip keselamatan karena terbiasa mengoperasikan perkakas.** Tindakan yang kurang hati-hati dapat mengakibatkan cedera serius dalam waktu sepersekian detik.

#### Penggunaan dan pemeliharaan perkakas listrik

- ▶ **Jangan memaksakan perkakas listrik. Gunakan perkakas listrik yang sesuai untuk pekerjaan yang dilakukan.** Perkakas listrik yang sesuai akan bekerja dengan lebih baik dan aman sesuai tujuan penggunaan.
- ▶ **Jangan gunakan perkakas listrik dengan switch yang tidak dapat dioperasikan.** Perkakas listrik yang switchnya yang tidak berfungsi dapat menimbulkan bahaya dan harus diperbaiki.
- ▶ **Lepaskan steker dari sumber listrik dan/atau lepas baterai, jika dapat dilepaskan dari perkakas listrik sebelum menyatel, mengganti aksesoris, atau menyimpan perkakas listrik.** Tindakan preventif akan mengurangi risiko menghidupkan perkakas listrik secara tidak disengaja.
- ▶ **Jauhkan dan simpan perkakas listrik dari jangkauan anak-anak dan jangan biarkan orang-orang yang tidak mengetahui cara menggunakan perkakas listrik, mengoperasikan perkakas listrik.** Perkakas listrik dapat membahayakan jika digunakan oleh orang-orang yang tidak terlatih.
- ▶ **Lakukan pemeliharaan perkakas listrik dan aksesoris. Periksa komponen yang bergerak apabila tidak lurus atau retak, kerusakan komponen, dan kondisi lain yang dapat mengganggu pengoperasian perkakas listrik. Apabila rusak, perbaiki perkakas listrik**

sebelum digunakan. Kecelakaan sering terjadi karena perkakas listrik tidak dirawat dengan baik.

- ▶ **Jaga ketajaman dan kebersihan alat.** Alat pemotong dengan pisau pemotong yang tajam dan dirawat dengan baik tidak akan mudah tersangkut dan lebih mudah dikendalikan.
- ▶ **Gunakan perkakas listrik, aksesoris, dan komponen perkakas dll sesuai dengan petunjuk ini, dengan mempertimbangkan kondisi kerja dan pekerjaan yang akan dilakukan.** Penggunaan perkakas listrik untuk tujuan berbeda dari fungsinya dapat menyebabkan situasi yang berbahaya.
- ▶ **Jaga gagang dan permukaan genggam agar tetap kering, bersih, dan bebas dari minyak dan lemak.** Gagang dan permukaan genggam yang licin tidak menjamin keamanan kerja dan kontrol alat yang baik pada situasi yang tidak terduga.

#### Servis

- ▶ **Minta teknisi berkualifikasi untuk menyervis perkakas listrik dengan hanya menggunakan suku cadang yang identik.** Dengan demikian, hal ini akan memastikan keamanan perkakas listrik.

#### Petunjuk keselamatan untuk gerinda

- ▶ **Hanya gunakan perkakas listrik untuk melakukan penggerindaan kering.** Air yang masuk ke dalam perkakas listrik menambah risiko terjadinya kontak listrik.
- ▶ **Pastikan tidak ada orang yang terkena bahaya percikan api. Jauhkan material yang mudah terbakar dari sekitar perkakas listrik.** Penggerindaan logam akan menghasilkan percikan api.
- ▶ **Waspada terhadap risiko terbakar! Hindari benda kerja dan gerinda agar tidak menjadi terlalu panas. Kosongkan kontainer debu sebelum Anda menghentikan pekerjaan sementara.** Debu penggerindaan pada kantong debu, microfilter, kantong kertas (atau pada kantong filter atau filter pengisap debu) dapat terbakar dengan sendirinya pada kondisi tertentu, misalnya akibat percikan api saat menggerinda logam. Khususnya, terdapat bahaya jika debu penggerindaan tercampur dengan sisa cat, sisa poliuretana, atau bahan kimia lainnya dan benda kerja dalam keadaan panas setelah penggerindaan dalam waktu yang lama.
- ▶ **Bersihkan lubang ventilasi pada perkakas listrik secara rutin.** Kipas angin motor menarik debu ke dalam rumah dan debu logam dalam jumlah yang besar dan listrik bisa mengakibatkan bahaya.
- ▶ **Pegang erat perkakas listrik dengan kedua tangan selama mengoperasikannya dan pastikan Anda berdiri di posisi aman.** Gunakan perkakas listrik dengan kedua tangan secara hati-hati.
- ▶ **Tunggu perkakas listrik hingga berhenti sebelum meletakkannya.**
- ▶ **Gunakan alat kerja dengan aman.** Benda yang ditahan dalam alat pemegang atau bais lebih aman daripada benda yang dipegang dengan tangan.

## Spesifikasi produk dan performa



**Bacalah semua petunjuk keselamatan dan petunjuk penggunaan.** Kesalahan dalam menjalankan petunjuk keselamatan dan petunjuk penggunaan dapat mengakibatkan kontak listrik, kebakaran, dan/atau luka-luka

yang berat.

Perhatikan ilustrasi yang terdapat pada sisi sampul panduan pengoperasian.

### Tujuan penggunaan

Perkakas listrik ini cocok untuk mengampelas kering bahan kayu, bahan sintetik, logam, dempul serta permukaan-permukaan yang bercat.

Perkakas listrik dengan pengendalian elektronik juga cocok untuk memoles.

### Ilustrasi komponen

Nomor-nomor dari bagian-bagian perkakas pada gambar sesuai dengan gambar perkakas listrik pada halaman bergambar.

- (1) Gagang tambahan (permukaan genggam berisolator)<sup>A)</sup>
- (2) Baut untuk gagang tambahan<sup>A)</sup>

- (3) Roda penyetel pemilihan awal jumlah getaran
  - (4) Tombol on/off
  - (5) Tombol pengunci untuk tombol on/off
  - (6) Kotak debu lengkap (sistem mikrofilter)<sup>A)</sup>
  - (7) Kunci L
  - (8) Piringan
  - (9) Gagang (permukaan genggam berisolator)
  - (10) Kertas ampelas<sup>A)</sup>
  - (11) Baut untuk piringan
  - (12) Penopang untuk kotak debu<sup>A)</sup>
  - (13) Penggeser plastik
  - (14) Saluran pembuangan
  - (15) Tuas pengunci untuk kotak debu<sup>A)</sup>
  - (16) Elemen filter (sistem mikrofilter)<sup>A)</sup>
  - (17) Adaptor pengisap<sup>A)</sup>
  - (18) Slang pengisap<sup>A)</sup>
  - (19) Kantung debu<sup>A)</sup>
- A) Aksesori yang ada pada gambar atau yang dijelaskan tidak termasuk dalam lingkup pengiriman standar. Semua aksesori yang ada dapat Anda lihat dalam program aksesori kami.**

### Data teknis

Mesin gerinda orbital		GEX 34-125	GEX 34-125	GEX 34-150	GEX 34-150
Nomor seri		3 601 C72 3..	3 601 C72 3..	3 601 C72 8..	3 601 C72 8..
Kotak debu yang termasuk dalam lingkup pengiriman		●	–	●	–
Pemilihan awal jumlah getaran		●	●	●	●
Input daya nominal	W	340	340	340	340
Kecepatan idle	min <sup>-1</sup>	4500–12000	4500–12000	4500–12000	4500–12000
Jumlah getaran kecepatan idle	min <sup>-1</sup>	9000–24000	9000–24000	9000–24000	9000–24000
Diameter orbit	mm	5,0	5,0	4,0	4,0
Diameter piringan	mm	125	125	150	150
Berat sesuai dengan EPTA-Procedure 01:2014	kg	2,0	2,0	2,1	2,1
Tingkat perlindungan		□ / II	□ / II	□ / II	□ / II

Data-data berlaku untuk tegangan nominal [U] 230 V. Pada tegangan yang lebih rendah dan pada model khusus mancanegara data-data ini bisa berlainan.

## Cara memasang

- **Sebelum mulai dengan pekerjaan pada perkakas listrik, tariklah steker dari stopkontak.**

### Mengganti kertas ampelas (lihat gambar A)

Bersihkan kotoran dan debu dari piringan (8) sebelum memasang kertas ampelas baru, misalnya dengan kuas. Permukaan piringan (8) terdiri atas kain perekat sehingga kertas ampelas dapat dipasang dengan cepat dan mudah menggunakan perekat.

Tekan kertas ampelas (10) dengan kuat ke sisi bawah piringan (8).

Untuk menjamin ekstraksi debu yang optimal, pastikan lubang pada kertas ampelas sesuai dengan lubang pada piringan.

## Memilih piringan

Tergantung pada jenis pekerjaan yang dilakukan, perkakas listrik dapat dilengkapi dengan piringan dengan tingkat kekerasan yang berbeda-beda:

- Piringan sangat halus: cocok untuk memoles dan mengampelas halus, juga pada permukaan yang melengkung
- Piringan halus: cocok untuk semua pengampelasan, dapat digunakan secara universal
- Piringan kasar: cocok untuk pengampelasan berat pada permukaan datar

## Mengganti piringan (lihat gambar B)

**Catatan:** Segera ganti piringan (8) yang rusak.

Lepaskan kertas ampelas atau alat untuk memoles. Lepas baut (11) dan piringan (8). Pasang piringan baru (8) dan kencangkan baut kembali.

**Catatan:** Driver berbeda untuk bantalan diameter 150 dan bantalan diameter 125. Bantalan hanya dapat dipasang pada perkakas listrik yang sesuai.

**Catatan:** Saat memasang piringan, pastikan roda gigi penggerak mencengkram lekuk piringan.

**Catatan:** Dudukan piringan yang rusak hanya boleh diganti di outlet servis resmi untuk perkakas listrik Bosch.

## Pengisapan debu/serbuk

Debu dari bahan-bahan seperti cat yang mengandung timbal, beberapa jenis kayu, bahan mineral dan logam dapat berbahaya bagi kesehatan. Menyentuh atau menghirup debu tersebut dapat mengakibatkan reaksi alergi dan/atau penyakit saluran pernapasan bagi pengguna atau orang yang berada di dekatnya.

Beberapa debu tertentu seperti misalnya debu kayu pohon ek atau pohon fagus silvatica dianggap dapat mengakibatkan penyakit kanker, terutama dalam campuran dengan bahan-bahan tambahan untuk pengolahan kayu (kromat, obat pengawet kayu). Bahan-bahan yang mengandung asbestos hanya boleh dikerjakan oleh orang-orang yang ahli.

- Gunakanlah hanya pengisap debu yang cocok untuk mengisap bahan yang dikerjakan.
- Pastikan terdapat ventilasi udara yang baik di tempat kerja.
- Dianjurkan untuk memakai masker anti debu dengan filter kelas P2.

Taatilah peraturan-peraturan untuk bahan-bahan yang dikerjakan yang berlaku di negara Anda.

- **Hindari debu yang banyak terkumpul di tempat kerja.**  
Debu dapat tersulut dengan mudah.

## Ekstraksi otomatis dengan kotak debu (lihat gambar C1-C4)

Sebelum memasang kotak debu (6), keluarkan penggeser plastik (13). Pasang kotak debu (6) ke saluran pembuangan (14) hingga terkunci. Pastikan penggeser plastik (13) masuk ke dalam penopang (12).

Untuk mengosongkan kotak debu (6), tekan tuas pengunci (15) pada sisi kotak debu (6). Tarik kotak debu ke bawah (7).

Sebelum membuka kotak debu (6), ketuk kotak debu pada permukaan yang keras seperti terlihat pada gambar untuk membersihkan debu dari elemen filter.

Pegang kotak debu (6) pada celah gagangnya, balikkan elemen filter (16) ke atas dan kosongkan kotak debu.

Bersihkan lamela elemen filter (16) dengan sikat lembut.

## Ekstraksi debu eksternal (lihat gambar D)

Pasang adaptor pengisap (17) ke saluran pembuangan (14). Pastikan tuas pengunci adaptor pengisap mengunci. Pada adaptor pengisap (17) dapat disambungkan slang pengisap dengan diameter sebesar 19 mm.

Untuk melepas adaptor pengisap (17), tekan tuas pengunci di bagian belakang secara bersamaan dan lepaskan adaptor pengisapan.

Mesin pengisap debu harus sesuai dengan bahan yang dikerjakan.

Gunakanlah mesin pengisap khusus saat mengisap debu yang sangat berbahaya bagi kesehatan, pemicu kanker, atau debu yang sangat kering.

Saat bekerja pada permukaan yang vertikal, pegang perkakas listrik sedemikian rupa sehingga slang pengisap menghadap ke bawah.

## Ekstraksi otomatis dengan kantung debu (lihat gambar E)

Saat melakukan pengerjaan yang lebih ringan, kantung debu (aksesori) (19) dapat disambungkan.

Sebelum memasang kantung debu (19), keluarkan penggeser plastik (13). Pasang nozel kantung debu dengan kuat ke saluran pembuangan (14). Pastikan penggeser plastik (13) masuk ke dalam penopang yang disediakan pada kantung debu (19).

Kosongkan kantung debu (19) tepat pada waktunya agar ekstraksi debu terjaga secara optimal.

## Gagang tambahan

Gagang tambahan (1) memungkinkan penggunaan yang nyaman dan pembagian kekuatan yang merata, terutama pada proses pengampelasan yang berat.

Pasang gagang tambahan (1) dengan baut (2) pada housing.

## Penggunaan

### Cara penggunaan

- **Perhatikan tegangan listrik! Tegangan jaringan listrik harus sesuai dengan tegangan listrik yang tercantum pada label tipe perkakas listrik. Perkakas listrik dengan daya sebesar 230 V seperti yang diindikasikan pada label dapat juga dioperasikan pada daya 220 V.**

### Menghidupkan/mematikan perkakas listrik

- ▶ **Pastikan bahwa Anda dapat mengoperasikan tombol untuk menghidupkan dan mematikan tanpa perlu melepaskan handle.**

Untuk **menyalakan** perkakas listrik, tekanlah switch on/off (4) dan tahan.

Untuk **mengunci** tombol on/off (4), tekan dan tahan tombol lalu tekan tombol kunci (5).

Untuk **menonaktifkan** perkakas listrik, lepaskan tombol on/off (4). Jika tombol on/off terkunci (4), tekan terlebih dahulu tombol tersebut, kemudian lepaskan.

### Penyetelan awal jumlah getaran

Dengan roda penyetelan awal jumlah getaran (3), jumlah getaran yang diperlukan juga dapat disetel selama pengoperasian.

- 1 – 2 jumlah getaran rendah
- 3 – 4 jumlah getaran sedang
- 5 – 6 jumlah getaran tinggi

Banyaknya getaran yang diperlukan tergantung pada bahan yang dikerjakan dan syarat-syarat kerja dan dapat ditentukan dengan melakukan uji coba sebelumnya.

Kontrol elektronik konstan menjaga jumlah getaran hampir tetap konstan saat dalam kondisi idle dan kondisi bermuatan serta memastikan performa pengerjaan yang sama.

Setelah perkakas listrik digunakan dalam waktu yang lama dengan jumlah getaran yang rendah, perkakas listrik sebaiknya dibiarkan mendingin dengan cara membiarkannya beroperasi dengan jumlah getaran maksimal dalam kecepatan idle selama sekitar 3 menit.

### Rem pada piringan

Rem piringan yang terintegrasi akan menurunkan jumlah getaran pada kecepatan idle sehingga mencegah terjadinya goresan saat meletakkan perkakas listrik pada benda kerja. Jika jumlah getaran pada kecepatan idle terus meningkat, piringan akan rusak dan harus diganti atau rem piringan menjadi aus. Rem piringan yang aus harus diganti di outlet servis resmi perkakas listrik Bosch.

### Petunjuk pengoperasian

- ▶ **Sebelum mulai dengan pekerjaan pada perkakas listrik, tariklah steker dari stopkontak.**
- ▶ **Tunggu perkakas listrik hingga berhenti sebelum meletakkannya.**
- ▶ **Perkakas listrik ini tidak sesuai untuk pengoperasian stasioner.** Perkakas listrik tidak boleh dipasang ke ragum atau dikencangkan ke meja kerja.

### Mengampelas permukaan

Hidupkan perkakas listrik, letakkan secara merata pada permukaan benda kerja dan gerakkan perkakas listrik dengan tekanan sedang di atas benda kerja.

Pengikisan dan pola pengampelasan ditentukan oleh pemilihan kertas ampelas, tingkat jumlah getaran yang dipilih sebelumnya dan daya tekan.

Hanya kertas ampelas yang baik yang menghasilkan kinerja pengampelasan yang sempurna dan memelihara fungsi perkakas listrik.

Pastikan daya tekan selalu merata agar meningkatkan masa pakai kertas ampelas.

Menambah daya tekan tidak akan meningkatkan kinerja pengampelasan, melainkan hanya membuat perkakas listrik dan kertas ampelas menjadi aus.

Kertas ampelas yang telah digunakan untuk mengerjakan logam, tidak boleh digunakan untuk mengerjakan bahan-bahan lainnya.

Hanya gunakan aksesoris pengampelasan **Bosch** yang asli.

### Pengampelasan kasar

Tambahkan butiran kasar pada kertas ampelas.

Cukup tekan sedikit perkakas listrik sehingga beroperasi dengan jumlah getaran yang lebih tinggi dan menghaluskan material yang lebih besar.

### Pengampelasan halus

Tambahkan butiran yang lebih halus pada kertas ampelas.

Dengan sedikit mengubah tekanan atau mengubah tingkat getaran, jumlah getaran piringan dapat dikurangi dengan mempertahankan gerakan memutar.

Gerakkan perkakas listrik dengan tekanan sedang secara memutar atau dengan bergantian arah memanjang dan melintang pada benda kerja. Jangan memiringkan perkakas listrik untuk mencegah benda kerja dari goresan, misalnya lapisan kayu.

Setelah pekerjaan selesai, matikan perkakas listrik.

### Memoles

Untuk memoles cat yang telah lapuk atau memoles ulang goresan (misalnya kaca akrilik), perkakas listrik dapat dilengkapi dengan alat pemoles yang sesuai seperti pemoles dari bulu domba, kain flanel, atau spons (aksesori).

Saat memoles, pilih jumlah getaran rendah (level 1-2) untuk mencegah pemanasan berlebihan pada permukaan.

Berikan pelitur pada permukaan yang lebih kecil daripada area yang hendak dipoles. Oleskan pelitur dengan alat pemoles yang sesuai dengan gerakan menyilang atau memutar dan tekanan sedang.

Jangan biarkan pelitur mengering pada permukaan karena permukaan dapat menjadi rusak. Jangan memaparkan permukaan yang dipelitur di bawah sinar matahari langsung. Bersihkan alat pemoles secara berkala untuk menjamin hasil kerja yang baik. Cuci alat pemoles dengan deterjen lembut dan air hangat, jangan gunakan tiner.

## Perawatan dan servis

### Perawatan dan pembersihan

- ▶ **Sebelum mulai dengan pekerjaan pada perkakas listrik, tariklah steker dari stopkontak.**
- ▶ **Perkakas listrik dan lubang ventilasi harus selalu dibersihkan agar perkakas dapat digunakan dengan baik dan aman.**



Jika kabel listrik harus diganti, pekerjaan ini harus dilakukan oleh **Bosch** atau Service Center untuk perkakas listrik **Bosch** resmi agar keselamatan kerja selalu terjamin.

### Layanan pelanggan dan konsultasi penggunaan

Layanan pelanggan Bosch menjawab semua pertanyaan Anda tentang reparasi dan perawatan serta tentang suku cadang produk ini. Gambaran teknis (exploded view) dan informasi mengenai suku cadang dapat ditemukan di:

**www.bosch-pt.com**

Tim konsultasi penggunaan Bosch akan membantu Anda menjawab pertanyaan seputar produk kami beserta aksesorinya.

Jika Anda hendak menanyakan sesuatu atau memesan suku cadang, selalu sebutkan nomor model yang terdiri dari 10 angka dan tercantum pada label tipe produk.

#### Indonesia

PT Robert Bosch  
Palma Tower 10th Floor  
Jalan RA Kartini II-S Kaveling 6  
Pondok Pinang, Kebayoran Lama  
Jakarta Selatan 12310  
Tel.: (021) 3005 5800  
Fax: (021) 3005 5801  
E-Mail: boschpowertools@id.bosch.com  
www.bosch-pt.co.id

### Cara membuang

Perkakas listrik, aksesoris, dan kemasan sebaiknya didaur ulang secara ramah lingkungan.



Jangan membuang perkakas listrik ke dalam sampah rumah tangga!

## Tiếng Việt

### Hướng dẫn an toàn

#### Hướng dẫn an toàn chung cho dụng cụ điện

**⚠ CẢNH BÁO** Hãy đọc toàn bộ các cảnh báo an toàn, hướng dẫn, hình ảnh và thông số kỹ thuật được cung cấp cho dụng cụ điện cầm tay này. Không tuân thủ mọi hướng dẫn được liệt kê dưới đây có thể bị điện giật, gây cháy và /hay bị thương tật nghiêm trọng.

**Hãy giữ tất cả tài liệu về cảnh báo và hướng dẫn để tham khảo về sau.**

Thuật ngữ "dụng cụ điện cầm tay" trong phần cảnh báo là để cập đến sự sử dụng dụng cụ điện cầm tay của bạn, loại sử dụng điện nguồn (có dây cắm điện) hay vận hành bằng pin (không dây cắm điện).

#### Khu vực làm việc an toàn

- ▶ **Giữ nơi làm việc sạch và đủ ánh sáng.** Nơi làm việc bừa bộn và tối tăm dễ gây ra tai nạn.
- ▶ **Không vận hành dụng cụ điện cầm tay trong môi trường dễ gây nổ, chẳng hạn như nơi có chất lỏng dễ cháy, khí đốt hay rác.** Dụng cụ điện cầm tay tạo ra các tia lửa nên có thể làm rác bén cháy hay bốc khói.
- ▶ **Không để trẻ em hay người đến xem đứng gần khi vận hành dụng cụ điện cầm tay.** Sự phân tâm có thể gây ra sự mất điều khiển.

#### An toàn về điện

- ▶ **Phích cắm của dụng cụ điện cầm tay phải thích hợp với ổ cắm.** Không bao giờ được cải biến lại phích cắm dưới mọi hình thức. Không được sử dụng phích tiếp hợp nối tiếp đất (dây mát). Phích cắm nguyên bản và ổ cắm đúng loại sẽ làm giảm nguy cơ bị điện giật.
- ▶ **Tránh không để thân thể tiếp xúc với đất hay các vật có bề mặt tiếp đất như đường ống, lò sưởi, hàng rào và tủ lạnh.** Có nhiều nguy cơ bị điện giật hơn nếu cơ thể bạn bị tiếp hay nối đất.
- ▶ **Không được để dụng cụ điện cầm tay ngoài mưa hay ở tình trạng ẩm ướt.** Nước vào máy sẽ làm tăng nguy cơ bị điện giật.
- ▶ **Không được lạm dụng dây dẫn điện.** Không bao giờ được nắm dây dẫn để xách, kéo hay rút phích cắm dụng cụ điện cầm tay. Không để dây gần nơi có nhiệt độ cao, dầu nhớt, vật nhọn bén và bộ phận chuyển động. Làm hỏng hay cuộn rối dây dẫn làm tăng nguy cơ bị điện giật.
- ▶ **Khi sử dụng dụng cụ điện cầm tay ngoài trời, dùng dây nối thích hợp cho việc sử dụng ngoài trời.** Sử dụng dây nối thích hợp cho việc sử dụng ngoài trời làm giảm nguy cơ bị điện giật.
- ▶ **Nếu việc sử dụng dụng cụ điện cầm tay ở nơi ẩm ướt là không thể tránh được, dùng thiết bị ngắt mạch tự động (RCD) bảo vệ nguồn.** Sử dụng thiết bị ngắt mạch tự động RCD làm giảm nguy cơ bị điện giật.

#### An toàn cá nhân

- ▶ **Hãy tỉnh táo, biết rõ mình đang làm gì và hãy sử dụng ý thức khi vận hành dụng cụ điện cầm tay.** Không sử dụng dụng cụ điện cầm tay khi đang mệt mỏi hay đang bị tác động do chất gây nghiện, rượu hay dược phẩm gây ra. Một thoáng mất tập trung khi đang vận hành dụng cụ điện cầm tay có thể gây thương tích nghiêm trọng cho bản thân.
- ▶ **Sử dụng trang bị bảo hộ cá nhân.** Luôn luôn đeo kính bảo vệ mắt. Trang bị bảo hộ như khẩu trang, giày chống trượt, nón bảo hộ, hay dụng cụ bảo vệ tai khi được sử dụng đúng nơi đúng chỗ sẽ làm giảm nguy cơ thương tật cho bản thân.

- ▶ **Phòng tránh máy khởi động bất ngờ.** **Bảo đảm công tắc máy ở vị trí tắt trước khi cắm vào nguồn điện và/hay lắp pin vào, khi nhấn máy lên hay khi mang xách máy.** Ngáng ngón tay vào công tắc máy để xách hay kích hoạt dụng cụ điện cầm tay khi công tắc ở vị trí mở để dẫn đến tai nạn.
- ▶ **Lấy mọi chìa hay khóa điều chỉnh ra trước khi mở điện dụng cụ điện cầm tay.** Khóa hay chìa còn gắn dính vào bộ phận quay của dụng cụ điện cầm tay có thể gây thương tích cho bản thân.
- ▶ **Không rướn người.** Luôn luôn giữ tư thế đứng thích hợp và thăng bằng. Điều này tạo cho việc điều khiển dụng cụ điện cầm tay tốt hơn trong mọi tình huống bất ngờ.
- ▶ **Trang phục thích hợp.** Không mặc quần áo rộng lưng thùng hay mang trang sức. Giữ tóc và quần áo xa khỏi các bộ phận chuyển động.
- ▶ **Nếu có các thiết bị đi kèm để nối máy hút bụi và các phụ kiện khác, bảo đảm các thiết bị này được nối và sử dụng tốt.** Việc sử dụng các thiết bị gom hút bụi có thể làm giảm các độc hại liên quan đến bụi gây ra.
- ▶ **Không để thói quen do sử dụng thường xuyên dụng cụ khiến bạn trở nên chủ quan và bỏ qua các quy định an toàn dụng cụ.** Một hành vi bất cẩn có thể gây ra thương tích nghiêm trọng chỉ trong tích tắc.

#### Sử dụng và bảo dưỡng dụng cụ điện cầm tay

- ▶ **Không được ép máy.** Sử dụng dụng cụ điện cầm tay đúng loại theo đúng ứng dụng của bạn. Dụng cụ điện cầm tay đúng chức năng sẽ làm việc tốt và an toàn hơn theo đúng tiến độ mà máy được thiết kế.
- ▶ **Không sử dụng dụng cụ điện cầm tay nếu như công tắc không tắt và mở được.** Bất kỳ dụng cụ điện cầm tay nào mà không thể điều khiển được bằng công tắc là nguy hiểm và phải được sửa chữa.
- ▶ **Rút phích cắm ra khỏi nguồn điện và/hay pin ra khỏi dụng cụ điện cầm tay nếu có thể tháo được, trước khi tiến hành bất kỳ điều chỉnh nào, thay phụ kiện, hay cắt dụng cụ điện cầm tay.** Các biện pháp ngăn ngừa như vậy làm giảm nguy cơ dụng cụ điện cầm tay khởi động bất ngờ.
- ▶ **Cất giữ dụng cụ điện cầm tay không dùng tới nơi trẻ em không lấy được và không cho người chưa từng biết dụng cụ điện cầm tay hay các hướng dẫn này sử dụng dụng cụ điện cầm tay.** Dụng cụ điện cầm tay nguy hiểm khi ở trong tay người chưa được chỉ cách sử dụng.
- ▶ **Bảo quản dụng cụ điện cầm tay và các phụ kiện.** Kiểm tra xem các bộ phận chuyển động có bị sai lệch hay kẹt, các bộ phận bị rạn nứt và các tình trạng khác có thể ảnh hưởng đến sự vận hành của máy. Nếu bị hư hỏng, phải sửa chữa máy trước khi sử dụng. Nhiều tai nạn xảy ra do bảo quản dụng cụ điện cầm tay tồi.
- ▶ **Giữ các dụng cụ cắt bén và sạch.** Bảo quản đúng cách các dụng cụ cắt có cạnh cắt bén làm giảm khả năng bị kẹt và dễ điều khiển hơn.
- ▶ **Sử dụng dụng cụ điện cầm tay, phụ kiện, đầu cài v. v., đúng theo các chỉ dẫn này, hãy lưu ý đến điều kiện làm việc và công việc phải thực hiện.** Sự sử dụng dụng cụ điện cầm tay khác với mục đích thiết kế có thể tạo nên tình huống nguy hiểm.
- ▶ **Giữ tay cầm và bề mặt nắm luôn khô ráo, sạch sẽ và không dính dầu mỡ.** Tay cầm và bề mặt nắm trơn trượt không đem lại thao tác an toàn và kiểm soát dụng cụ trong các tình huống bất ngờ.

#### Bảo dưỡng

- ▶ **Đưa dụng cụ điện cầm tay của bạn đến thợ chuyên môn để bảo dưỡng, chỉ sử dụng phụ tùng đúng chủng loại để thay.** Điều này sẽ đảm bảo sự an toàn của máy được giữ nguyên.

#### Các hướng dẫn an toàn cho máy mài

- ▶ **Chỉ sử dụng dụng cụ điện để mài khô.** Nước vào máy sẽ làm tăng nguy cơ bị điện giật.
- ▶ **Đảm bảo rằng không có người bị nguy hiểm do tia lửa điện bay ra.** Loại bỏ các vật liệu dễ cháy từ gần đó. Khi mài kim loại sẽ xuất hiện tia lửa điện bay ra.
- ▶ **Chú ý nguy cơ cháy! Tránh quá nhiệt vật liệu mài và máy mài.** Luôn xả rỗng thùng chứa bụi trước khi tạm dừng làm việc. Bụi mài trong túi chứa bụi, bộ vi lọc, túi giấy (hoặc trong bộ lọc kiểu túi hoặc bộ lọc của máy hút bụi) có thể tự đánh lửa dưới các điều kiện không phù hợp, như tia lửa điện bay ra khi mài kim loại. Có nguy hiểm đặc biệt, nếu bụi mài trộn với các cặn sơn, cặn polyurethane hoặc những chất hóa học khác và vật liệu mài nóng lên sau thời gian dài hoạt động.
- ▶ **Thường xuyên làm sạch các khe thông gió của dụng cụ điện.** Quạt gió mờ sẽ kéo bụi nằm trong vỏ máy ra và sự tích tụ quá nhiều bột kim loại có thể gây nên các nguy hiểm về điện.
- ▶ **Giữ máy thật chắc bằng cả hai tay trong khi làm việc và luôn luôn giữ tư thế đứng cho thích hợp và cân bằng.** Dùng hai tay để điều khiển máy thì an toàn hơn.
- ▶ **Luôn luôn đợi cho máy hoàn toàn ngừng hẳn trước khi đặt xuống.**

- **Kẹp chặt vật gia công.** Vật gia công được kẹp bằng một thiết bị kẹp hay bằng ê-tô thì vững chắc hơn giữ bằng tay.

## Mô Tả Sản Phẩm và Đặc Tính Kỹ Thuật



**Độc kỹ mọi cảnh báo an toàn và mọi hướng dẫn.** Không tuân thủ mọi cảnh báo và hướng dẫn được liệt kê dưới đây có thể bị điện giật, gây cháy và / hay bị thương tật nghiêm trọng.

Xin lưu ý các hình minh họa trong phần trước của hướng dẫn vận hành.

### Sử dụng đúng cách

Máy được thiết kế để chà khô vật liệu gỗ, nhựa mù, kim loại, chất trám độn cũng như các bề mặt đã sơn phủ.

Các máy có bộ phận điều khiển điện tử cũng thích hợp cho việc đánh bóng.

### Các bộ phận được minh họa

Sự đánh số các biểu trưng của sản phẩm là để tham khảo hình minh họa của máy trên trang hình ảnh.

- (1) Tay nắm phụ (có bề mặt nắm cách điện)<sup>A)</sup>

- (2) Vít của tay nắm phụ<sup>A)</sup>  
 (3) Núm vận khóa dùng chọn trước tần suất xoay tròn  
 (4) Công tắc bật/tắt  
 (5) Nút khoá giữ chế độ tự-chạy của công tắc bật/tắt  
 (6) Hộp đựng bụi hoàn chỉnh (hệ thống bộ vi lọc)<sup>A)</sup>  
 (7) Chia vận lục giác  
 (8) Đĩa chà  
 (9) Tay nắm (bề mặt nắm cách điện)  
 (10) Giấy nhám<sup>A)</sup>  
 (11) Vít bắt đĩa chà  
 (12) Giá đỡ cho hộp chứa bụi<sup>A)</sup>  
 (13) Thanh trượt nhựa  
 (14) Lỗ thoát  
 (15) Cẩn khóa cho hộp chứa bụi<sup>A)</sup>  
 (16) Chi tiết lọc (hệ thống bộ vi lọc)<sup>A)</sup>  
 (17) Bộ thích ứng hút<sup>A)</sup>  
 (18) Ống hút<sup>A)</sup>  
 (19) Túi chứa bụi<sup>A)</sup>

A) **Phụ tùng được trình bày hay mô tả không phải là một phần của tiêu chuẩn hàng hóa được giao kèm theo sản phẩm. Bạn có thể tham khảo tổng thể các loại phụ tùng, phụ kiện trong chương trình phụ tùng của chúng tôi.**

### Thông số kỹ thuật

Máy Chà Nhám Xoay Vòng Ngẫu Nhiên		GEX 34-125	GEX 34-125	GEX 34-150	GEX 34-150
Mã số máy		3 601 C72 3..	3 601 C72 3..	3 601 C72 8..	3 601 C72 8..
Hàng được giao bao gồm hộp đựng bụi		●	–	●	–
Sự chọn trước tốc độ của hành trình xoay tròn		●	●	●	●
Công suất vào danh định	W	340	340	340	340
Tốc độ không tải	min <sup>-1</sup>	4500–12000	4500–12000	4500–12000	4500–12000
Tần suất vòng xoay	min <sup>-1</sup>	9000–24000	9000–24000	9000–24000	9000–24000
Đường kính mạch dao động	mm	5,0	5,0	4,0	4,0
Đường kính đĩa chà	mm	125	125	150	150
Trọng lượng theo Qui trình EPTA-Procedure 01:2014	kg	2,0	2,0	2,1	2,1
Cấp độ bảo vệ		□/II	□/II	□/II	□/II

Các giá trị đã cho có hiệu lực cho điện thế danh định [U] 230 V. Đối với điện thế thấp hơn và các loại máy dành riêng cho một số quốc gia, các giá trị này có thể thay đổi.

### Sự lắp vào

- **Trước khi tiến hành bất cứ việc gì trên máy, kéo phích cắm điện nguồn ra.**

### Thay giấy nhám (xem Hình A)

Hãy loại bỏ bụi bẩn khỏi đĩa chà (8) bằng chổi trước khi lắp giấy nhám mới.

Bề mặt của đĩa chà (8) gồm sợi băng dán xe, để bạn có thể gắn giấy nhám với lớp băng dán xe một cách nhanh chóng và dễ dàng.

Hãy ấn giấy nhám (10) thật chặt lên mặt dưới của đĩa chà (8).

Để đảm bảo hút bụi tối ưu, hãy lưu ý rằng lỗ đột trên giấy nhám phải khớp với các lỗ khoan trên đĩa chà.

### Chọn Lựa Đĩa Chà

Tùy theo ứng dụng, máy có thể trang bị các loại đĩa chà có độ cứng khác nhau:

- Đĩa chà, cực mềm: Thích hợp để đánh bóng và chà vật dễ bị trầy xước, kể cả lên trên bề mặt lõi nhôm
- Đĩa chà mềm: Thích hợp cho mọi loại chà, và mọi mục đích sử dụng thông thường
- Đĩa chà cứng: Thích hợp cho việc gia công chà với năng suất cao trên các bề mặt phẳng

### Thay đĩa chà (xem Hình B)

**Hướng dẫn:** Bạn hãy thay ngay đĩa chà bị hỏng (8).

Lấy giấy nhám hay dụng cụ đánh bóng ra. Hãy vặn vít (11) ra hết cỡ và tháo đĩa chà ra (8). Hãy lắp đĩa chà mới (8) và siết chặt lại vít vừa tay.

**Hướng dẫn:** Các khóa dừng được phân biệt đối với đệm Ø 150 và đệm Ø 125. Các đệm chỉ có thể được lắp lên dụng cụ điện phù hợp.

**Hướng dẫn:** Khi lắp đĩa chà hãy đảm bảo rằng răng của khóa dừng bắt chặt vào lỗ của đĩa chà.

**Hướng dẫn:** Giá đỡ đĩa chà chỉ được thay bởi một đại lý ủy quyền dịch vụ khách hàng dụng cụ điện Bosch.

### Hút Dăm/Bụi

Mạt bụi từ các vật liệu được sơn phủ ngoài có chứa chì trên một số loại gỗ, khoáng vật và kim loại có thể gây nguy hại đến sức khỏe con người. Dụng cụ chạm hay hít thở các bụi này có thể làm người sử dụng hay đứng gần bị dị ứng và/hoặc gây nhiễm trùng hệ hô hấp.

Một số hạt bụi cụ thể, ví dụ như bụi gỗ sồi hay đậu, được xem là chất gây ung thư, đặc biệt là có liên quan đến các chất phụ gia dùng xử lý gỗ (chất cromat, chất bảo quản gỗ). Có thể chỉ nên để thợ chuyên môn gia công các loại vật liệu có chứa amiăng.

- Cách xa ở mức có thể được, sử dụng hệ thống hút thích hợp cho loại vật liệu.
- Tạo không khí thông thoáng nơi làm việc.
- Khuyến nghị nên mang mặt nạ phòng độc có bộ lọc cấp P2.

Tuân thủ các qui định của quốc gia bạn liên quan đến loại vật liệu gia công.

- ▶ **Tránh không để rác tích tụ tại nơi làm việc.** Rác có thể dễ dàng bắt lửa.

### Hệ Thống Hút Bụi Tích Hợp có hộp đựng bụi (xem Hình ảnh C1–C4)

Hãy kéo (6) thanh trượt nhựa (13) ra trước khi lắp hộp chứa bụi. Đặt hộp đựng bụi (6) vào vòi xả (14), cho tới khi vào khớp. Đảm bảo rằng thanh trượt nhựa (13) được kẹp vào giá đỡ (12).

Để trút sạch hộp chứa bụi (6) hãy nhấn cần khóa (15) ở bên hông của hộp chứa bụi (6). Kéo hộp chứa bụi xuống dưới (7).

Trước khi mở hộp đựng bụi (6) bạn cần gõ lên một bề mặt cứng như mô tả trong hình ảnh để loại bỏ bụi khỏi ruột bộ lọc.

Hãy cắm chặt hộp đựng bụi (6) ở hốc tay vịn, gấp ruột bộ lọc (16) lên trên và trút sạch hộp đựng bụi. Hãy vệ sinh các bản mỏng của ruột bộ lọc (16) bằng bàn chải mềm.

### Hút bụi bên ngoài (xem Hình D)

Cắm cút nối ống hút (17) vào vòi xả (14). Bảo đảm ngàm khóa của bộ phận hút ghép nối vào khớp. Tại bộ thích ứng hút (17) một ống hút có thể được kết nối với đường kính 19 mm.

Để tháo dỡ bộ thích ứng hút (17) hãy nhấn cần khóa phía sau và tháo bộ thích ứng hút ra.

Máy hút bụi phải thích hợp dành cho loại vật liệu đang gia công.

Khi hút bụi khô loại đặc biệt gây nguy hại đến sức khỏe hoặc gây ra ung thư, hãy sử dụng máy hút bụi loại chuyên dụng.

Khi gia công bề mặt thẳng đứng, nắm dụng cụ điện cách sao cho vòi hút hướng xuống.

### Hệ thống hút bụi tích hợp có túi chứa bụi (xem Hình E)

Khi làm những công việc nhỏ hơn, bạn có thể kết nối túi đựng bụi (Phụ kiện) (19).

Hãy kéo (19) thanh trượt nhựa (13) ra trước khi lắp túi chứa bụi. Cắm chặt miệng túi đựng bụi vào vòi xả (14). Đảm bảo rằng thanh trượt nhựa (13) được kẹp vào giá đỡ tương ứng ở túi đựng bụi (19).

Hãy xả sạch túi đựng bụi (19) kịp thời để việc hút bụi được duy trì tối ưu.

### Tay nắm phụ

Tay nắm phụ (1) cho phép thao tác thuận tiện và phân bố lực tối ưu, đặc biệt là khi có nhiều mảnh vụn.

Hãy gắn chặt tay nắm phụ (1) vào vỏ bằng vít (2).

## Vận Hành

### Bắt Đầu Vận Hành

- ▶ **Hãy cẩn thận với nguồn điện! Điện thế nguồn phải đúng với điện thế đã ghi rõ trên nhãn máy. Dụng cụ điện được ghi 230 V cũng có thể được vận hành ở 220 V.**

## Bật Mở và Tắt

### ► Hãy đảm bảo rằng, bạn có thể nhấn Công tắc bật/tắt, mà không cần nhả tay nắm.

Để **Bật** dụng cụ điện, hãy bấm công tắc Tắt/Mở (4) và vừa bấm vừa giữ.

Để **khóa** công tắc bật/tắt (4) hãy nhấn giữ nó và nhấn thêm nút khóa giữ chế độ tự-chạy (5).

Để **tắt** dụng cụ điện cầm tay hãy nhả công tắc bật/tắt (4). Khi công tắc bật/tắt bị khóa (4) hãy nhấn nó và sau đó nhả ra.

## Chọn Trước Tốc Độ Của Hành Trình Xoay Tròn

Với núm vặn khóa dùng chọn trước tần suất xoay tròn (3) bạn có thể chọn trước tốc độ của hành trình xoay tròn cần thiết trong khi vận hành.

1 – 2    tốc độ hành trình thấp

3 – 4    tốc độ hành trình trung bình

5 – 6    tốc độ hành trình cao

Tốc độ của hành trình xoay tròn theo yêu cầu tùy thuộc vào loại vật liệu và điều kiện gia công và có thể xác định được thông qua thực tế thử nghiệm.

Hệ thống điện cố định giữ tốc độ của hành trình xoay tròn khi chạy không tải và tải trọng luôn cố định và đảm bảo công suất làm việc đồng đều.

Sau thời gian gia công dài ở tốc độ hành trình thấp, hãy để cho máy nguội xuống bằng cách cho máy chạy không tải ở tốc độ tối đa trong khoảng 3 phút.

## Bộ Phận Hãm Dĩa Chà

Bộ phận hãm tốc đĩa chà lắp trong máy làm giảm tốc độ khi máy chạy ở chế độ không tải để tránh làm trầy xước vật gia công khi tiếp máy lên trên bề mặt.

Nếu như tốc độ không tải vẫn tiếp tục tăng theo tiến trình hoạt động, như vậy, đĩa chà đã bị hỏng và phải được thay thế hoặc là do thắng hãm tốc của đĩa chà đã bị mòn. Thắng hãm tốc của đĩa chà bị mòn phải do đại lý được ủy nhiệm dịch vụ hàng sau khi bán dụng cụ điện cầm tay Bosch thay thế.

## Hướng Dẫn Sử Dụng

- **Trước khi tiến hành bất cứ việc gì trên máy, kéo phích cắm điện nguồn ra.**
- **Luôn luôn đợi cho máy hoàn toàn ngừng hẳn trước khi đặt xuống.**
- **Dụng cụ điện không phù hợp cho vận hành tĩnh.** Không được phép kẹp vào một ê-tô hoặc gắn trên một bàn máy.

## Chà Bề Mặt

Mở máy lên, đặt máy với toàn bộ bề mặt chà lên trên bề mặt vật liệu gia công, di chuyển máy với lực áp máy vừa phải lên khắp vật gia công.

Tốc độ gia công chà và cách thức chà được quyết định từ việc lựa chọn giấy nhám, sự chỉnh đặt trước mức chuyển động qua lại và lực áp dụng.

Chỉ có giấy nhám không bị hư hỏng mới cho năng suất chà nhám tốt và kéo dài tuổi thọ của máy.

Hãy lưu ý việc đặt lực áp lên máy để chà phải đồng đều; điều này làm tăng độ bền của giấy nhám.

Tạo lực đè thật mạnh lên máy để chà không làm tăng năng suất chà, nhưng lại làm tăng sự hao mòn của máy và giấy nhám.

Giấy nhám đã được dùng để chà kim loại không nên sử dụng để chà các loại vật liệu khác.

Chỉ nên sử dụng các phụ kiện chà nhám chính hãng **Bosch**.

## Chà Thô

Lắp giấy nhám loại có hạt to vào.

Chỉ đặt lực áp nhẹ lên máy để cho máy hoạt động ở tốc độ hành trình cao và đạt được năng suất gia công cao.

## Chà Mịn

Lắp giấy nhám loại có hạt nhỏ mịn vào.

Bằng cách thay đổi một chút lực áp hoặc thay đổi tần suất dao động, bạn có thể giảm tốc độ của hành trình xoay tròn, đồng thời duy trì chuyển động lệch tâm.

Di chuyển máy theo động tác xoay tròn hay số theo chiều dọc và ngang xen kẽ nhau lên khắp vật gia công/mặt ngoài với lực áp vừa phải. Không được dựng nghiêng máy để tránh chà thủng qua vật gia công (vd., khi chà lớp gỗ dán lên bề mặt).

Sau khi hoàn tất công đoạn gia công, tắt máy.

## Đánh Bóng

Để đánh bóng lớp sơn do thời tiết làm phai màu hay chà xóa các vết xước (vd., thủy tinh acrylic), có thể trang bị cho máy các phụ kiện thích hợp, ví dụ., bao chụp lông cừu non, ni đánh bóng hay bọt xốp (phụ kiện).

Khi đánh bóng, chọn tốc độ của hành trình xoay tròn thấp (mức 1 -2) để tránh làm nóng bề mặt quá mức.

Bôi thuốc đánh bóng lên trên bề mặt với một lượng nhỏ hơn diện tích bề mặt mà bạn định đánh bóng. Cho chất đánh bóng vào dụng cụ đánh bóng thích hợp, ứng dụng việc chà bóng theo hình chữ thập hay vòng tròn với lực áp máy vừa phải.

Không được để cho chất đánh bóng bôi trên bề mặt bị khô, nếu không, bề mặt có thể bị hư hại. Không được để bề mặt đánh bóng phải chịu ánh sáng mặt trời trực tiếp chiếu vào.

Làm sạch dụng cụ đánh bóng thường xuyên để đảm bảo kết quả đánh bóng tốt. Dùng chất tẩy rửa có nồng độ nhẹ với nước ấm để giặt sạch các phụ kiện đánh bóng, không được sử dụng dung dịch dùng để pha sơn.

## Bảo Dưỡng và Bảo Quản

### Bảo Dưỡng Và Làm Sạch

- ▶ Trước khi tiến hành bất cứ việc gì trên máy, kéo phích cắm điện nguồn ra.
- ▶ Để được an toàn và máy hoạt động đúng chức năng, luôn luôn giữ máy và các khe thông gió được sạch.

Nếu như cần phải thay dây dẫn điện thì công việc này phải do hãng **Bosch**, hay một đại lý được **Bosch** ủy nhiệm thực hiện để tránh gặp sự nguy hiểm do mất an toàn.

### Dịch vụ hỗ trợ khách hàng và tư vấn sử dụng

Bộ phận phục vụ hàng sau khi bán của chúng tôi trả lời các câu hỏi liên quan đến việc bảo dưỡng và sửa chữa các sản phẩm cũng như phụ tùng thay thế của bạn. Sơ đồ mô tả và thông tin về phụ tùng thay thế cũng có thể tra cứu theo dưới đây:

[www.bosch-pt.com](http://www.bosch-pt.com)

Đội ngũ tư vấn sử dụng của Bosch sẽ giúp bạn giải đáp các thắc mắc về sản phẩm và phụ kiện.

Trong tất cả các phân hồi và đơn đặt phụ tùng, xin vui lòng luôn luôn nhập số hàng hóa 10 chữ số theo nhãn của hàng hóa.

#### Việt Nam

CN CÔNG TY TNHH BOSCH VIỆT NAM TẠI TP.HCM

Tầng 14, Ngôi Nhà Đức, 33 Lê Duẩn  
Phường Bến Nghé, Quận 1, Thành Phố Hồ Chí Minh

Tel.: (028) 6258 3690

Fax: (028) 6258 3692 - 6258 3694

Hotline: (028) 6250 8555

Email: [tuvankhachhang-pt@vn.bosch.com](mailto:tuvankhachhang-pt@vn.bosch.com)

[www.bosch-pt.com.vn](http://www.bosch-pt.com.vn)

[www.baohanhbosch-pt.com.vn](http://www.baohanhbosch-pt.com.vn)

#### Campuchia

Công ty TNHH Robert Bosch (Campuchia)  
Đơn nguyên 8BC, GT Tower, Tầng 08, Đường 169,  
Tiệp Khắc Blvd, Sangkat Veal Vong,  
Khan 7 Makara, Phnom Penh

VAT TIN: 100 169 511

Tel.: +855 23 900 685

Tel.: +855 23 900 660

[www.bosch.com.kh](http://www.bosch.com.kh)

### Sự thải bỏ

Máy, linh kiện và bao bì phải được phân loại để tái chế theo hướng thân thiện với môi trường.



Không được thải bỏ dụng cụ điện vào chung với rác sinh hoạt!

مخصص للاستعمال الخارجي من خطر الصدمات الكهربائية.

◀ **إن لم يكن بالإمكان تجنب تشغيل العدة الكهربائية في الأجواء الرطبة، فاستخدم مفتاح للوقاية من التيار المتخلف.** إن استخدام مفتاح للوقاية من التيار المتخلف يقلل خطر الصدمات الكهربائية.

#### أمان الأشخاص

◀ **كن يقظا وانتبه إلى ما تفعله واستخدم العدة الكهربائية بتعقل.** لا تستخدم عدة كهربائية عندما تكون متعبا أو عندما تكون تحت تأثير المخدرات أو الكحول أو الأدوية. عدم الانتباه للحظة واحدة عند استخدام العدة الكهربائية قد يؤدي إلى إصابات خطيرة.

◀ **قم لارتداء تجهيزات الحماية الشخصية. وارتد دائما نظارات واقية.** يعد ارتداء تجهيزات الحماية الشخصية، كقناع الوقاية من الغبار وأحذية الأمان الواقية من الانزلاق والحدوث أو واقية الأذنين، حسب ظروف استعمال العدة الكهربائية، من خطر الإصابة بجروح.

◀ **تجنب التشغيل بشكل غير مقصود.** تأكد من كون العدة الكهربائية مطفأة قبل توصيلها بالتيار الكهربائي و/أو بالمركم، وقبل رفعها أو حملها. إن كنت تضع إصبعك على المفتاح أثناء حمل العدة الكهربائية أو إن وصلت الجهاز بالشبكة الكهربائية بينما لامفتاح على وضع التشغيل، قد يؤدي إلى وقوع الحوادث.

◀ **انزع أداة الضبط أو مفتاح الربط قبل تشغيل العدة الكهربائية.** قد تؤدي الأداة أو المفتاح المتواجد في جزء دوار من الجهاز إلى الإصابة بجروح.

◀ **تجنب أوضاع الجسم غير الطبيعية.** قف بأمان وحافظ على توازنك دائما. سيسمح لك ذلك بالتمكّن في الجهاز بشكل أفضل في المواقف الغير متوقعة.

◀ **قم بارتداء ثياب مناسبة.** لا ترتد الثياب الفضفاضة أو الحلى. احرص على إبقاء الشعر والملابس بعيدا عن الأجزاء المتحركة. قد تشابك الثياب الفضفاضة والحلى والشعر الطويل بالأجزاء المتحركة.

◀ **إن جاز تركيب تجهيزات شفط وتجميع الغبار، فتأكد من أنها موصولة وبأنه يتم استخدامها بشكل سليم.** قد يقلل استخدام تجهيزات لشفط الغبار من المخاطر الناتجة عن الغبار.

◀ **لا تستخدم العدة الكهربائية بلا مبالاة وتجاهل قواعد الأمان الخاصة بها نتيجة لتعودك على استخدام العدة الكهربائية وكثرة استخدامها.** فقد يتسبب الاستخدام دون حرص في حدوث إصابة بالغة تحدث في أجزاء من الثانية.

حسن معاملة واستخدام العدد الكهربائية

◀ **لا تفرط بتحميل الجهاز. استخدم لتفنيذ أشغالك العدة الكهربائية المخصصة لذلك.** إنك تعمل بشكل أفضل وأكثر أماناً بواسطة العدة الكهربائية الملائمة في مجال الأداء المذكور.

◀ **لا تستخدم العدة الكهربائية إن كان مفتاح تشغيلها تالف.** العدة الكهربائية التي لم يعد من

## عربي

### إرشادات الأمان

#### الإرشادات العامة للأمان بالعدد الكهربائية

##### تحذير

اطلع على كافة تحذيرات الأمان والتعليمات والصور والمواصفات المرفقة بالعدة الكهربائية. عدم اتباع التعليمات الواردة أدناه قد يؤدي إلى حدوث صدمة كهربائية، إلى نشوب حريق و/أو الإصابة بجروح خطيرة.

احتفظ بجميع الملاحظات التحذيرية والتعليمات للمستقبل.

يقصد بمصطلح «العدة الكهربائية» المستخدم في الملاحظات التحذيرية، العدد الكهربائي الموصولة بالشبكة الكهربائية (بواسطة كابل الشبكة الكهربائية) وأيضا العدد الكهربائي المزودة بمركم (دون كابل الشبكة الكهربائية).

##### الأمان بمكان الشغل

◀ **حافظ على نظافة مكان شغلك وإضاءته بشكل جيد.** الفوضى في مكان الشغل ونطاقات العمل غير المضأة قد تؤدي إلى وقوع الحوادث.

◀ **لا تشغل بالعدة الكهربائية في نطاق معرض لخطر الانفجار مثل الأماكن التي تتوفر فيه السوائل أو الغازات أو الأعبئة القابلة للاشتعال.** العدد الكهربائي تولد شررا قد يتطاير، فيشعل الأعبئة والأبخرة.

◀ **حافظ على بقاء الأطفال وغيرهم من الأشخاص بعيدا عندما تستعمل العدة الكهربائية.** تشتيت الانتباه قد يتسبب في فقدان السيطرة على الجهاز.

##### الأمان الكهربائي

◀ **يجب أن يتلائم قابس العدة الكهربائية مع المقبس.** لا يجوز تغيير القابس بأي حال من الأحوال. لا تستعمل القوابس المهائية مع العدد الكهربائية المؤرضة (ذات طرف أرضي). تخفّض القوابس التي لم يتم تغييرها والمقابس الملائمة من خطر الصدمات الكهربائية.

◀ **تجنب ملامسة جسمك للأسطح المؤرضة كالأنابيب والمبردات والمواقد أو التلجالات.** يزداد خطر الصدمات الكهربائية عندما يكون جسمك مريض أو موصل بالأرضي.

◀ **أبعد العدة الكهربائية عن الأمطار أو الرطوبة.** يزداد خطر الصدمات الكهربائية إن تسرب الماء إلى داخل العدة الكهربائية.

◀ **لا تسيء استعمال الكابل.** لا تستخدم الكابل في حمل العدة الكهربائية أو سحبها أو سحب القابس من المقبس. احرص على إبعاد الكابل عن الحرارة والزيت والحواف الحادة أو الأجزاء المتحركة. تزيد الكابلات التالفة أو المتشابكة من خطر الصدمات الكهربائية.

◀ **عند استخدام العدة الكهربائية خارج المنزل اقتصر على استخدام كابلات التمديد الصالحة للاستعمال الخارجي.** يقلل استعمال كابل تمديد

- قد يتولد خطر بالغ عندما يكون غبار التجليل مزوجاً بقايا بطلاء أو بولي يوريثان أو مواد كيميائية أخرى وكذلك عندما تكون القطعة التي يجرى عليها العمل ساخنة بعد فترة عمل طويلة.
- ◀ **قم بتنظيف فتحات التهوية بالعدة الكهربائية بشكل دوري.** إن منفاخ المحرك بسبب الغبار إلى داخل الهيكل، وتراكم الأغبرة المعدنية الشديد قد يشكل المخاطر الكهربائية.
- ◀ **أمسك العدة الكهربائية جيداً بكلتا اليدين عند العمل، واحرص على أن تكون في وضعية ثابتة.** يتم توجيه العدة الكهربائية بأمان بواسطة اليدين اللتين.
- ◀ **انتظر إلى أن تتوقف العدة الكهربائية عن الحركة قبل أن تضعها جانباً.**
- ◀ **احرص على تأمين قطعة الشغل.** قطعة الشغل المثبتة بواسطة تجهيزة شد أو بواسطة الملزمة مثبتة بأمان أكبر مما لو تم الإمساك بها بواسطة يدك.

## وصف المنتج والأداء

- اقرأ جميع إرشادات الأمان والتعليمات. ارتكاب الأخطاء عند تطبيق إرشادات الأمان والتعليمات، قد يؤدي إلى حدوث صدمات كهربائية أو إلى نشوب الحرائق و/أو الإصابة بجروح خطيرة.



يرجى الرجوع إلى الصور الموجودة في الجزء الأول من دليل التشغيل.

## الاستعمال المخصص

العدة الكهربائية مخصصة للتجليل الجاف للخشب واللداين والمعدن وبطانات التكسية وكذلك الأسطح المطلية.

العدد الكهربائية بالتحكم الالكتروني صالحة أيضاً للصل.

## الأجزاء المصورة

يشير ترقيم الأجزاء المصورة إلى رسوم العدة الكهربائية الموجودة في صفحة الرسوم التخطيطية.

- (1) مقبض إضافي (سطح قبض معزول)<sup>(A)</sup>
- (2) لولب للمقبض الإضافي<sup>(A)</sup>
- (3) عجلة ضبط عدد التراجع مسبقاً
- (4) مفتاح التشغيل والإطفاء
- (5) زر تثبيت مفتاح التشغيل والإطفاء
- (6) صندوق غبار كامل (نظام الفلتر الدقيق)<sup>(A)</sup>
- (7) مفتاح سداسي الرأس المجوف
- (8) صحن التجليل
- (9) مقبض (موضع مسك معزول)
- (10) قرص التجليل<sup>(A)</sup>
- (11) لولب صحن الجليج
- (12) حامل صندوق الغبار<sup>(A)</sup>
- (13) مزلاج بلاستيكي
- (14) وصلة النفخ

- الممكن التحكم بها عن طريق مفتاح التشغيل والإطفاء تعتبر خطيرة ويجب أن يتم إصلاحها.
- ◀ **اسحب القاس من المقبس و/أو اخلع المركب، إذا كان قابلاً للخلع، قبل ضبط الجهاز وقبل استبدال الملحقات أو قبل تخزين الجهاز.** تمنع هذه الإجراءات وقائية تشغيل العدة الكهربائية بشكل غير مقصود.
- ◀ **احتفظ بالعدد الكهربائية التي لا يتم استخدامها بعيداً عن متناول الأطفال.** لا تسمح باستخدام العدة الكهربائية لمن لا خبرة له بها أو لمن لم يقرأ تلك التعليمات. العدد الكهربائي خطيرة إن تم استخدامها من قبل أشخاص دون خبرة.
- ◀ **اعتن بالعدة الكهربائية والملحقات بشكل جيد.** تأكد أن أجزاء الجهاز المتحركة مركبة بشكل سليم وغير مستعصية عن الحركة، وتفحص ما إن كانت هناك أجزاء مكسورة أو في حالة تؤثر على سلامة أداء العدة الكهربائية. ينبغي إصلاح هذه الأجزاء التالفة قبل إعادة تشغيل الجهاز. الكثير من الموادث مصدرها العدد الكهربائي التي تتم صيانتها بشكل رديء.
- ◀ **احرص على إبقاء عدد القطع نظيفة وحادة.** إن عدد القطع ذات حواف القطع المادة التي تم صيانتها بعناية تتكلم بشكل أقل ويمكن توجيهها بشكل أيسر.
- ◀ **استخدم العدد الكهربائية والتوابع وربش الشغل إلخ. وفقاً لهذه التعليمات. تراعى أثناء ذلك ظروف الشغل والعمل المراد تنفيذه.** استخدام العدد الكهربائية لغير الأشغال المخصصة لأجلها قد يؤدي إلى حدوث الحالات الخطيرة.
- ◀ **احرص على إبقاء المقابض وأسطح المسك جافة ونظيفة وخالية من الزيوت والشحوم.** المقابض وأسطح المسك الزلقة لا تتبع التشغيل والتحكم الأمان في العدة في المواقف غير المتوقعة.
- الخدمة**
- ◀ **احرص على إصلاح عدتك الكهربائية فقط بواسطة العمال المتخصصين وباستعمال قطع الغيار الأصلية فقط.** يضمن ذلك المحافظة على أمان الجهاز.
- إرشادات الأمان الخاصة بالمجلاة**
- ◀ **استخدم العدة الكهربائية فقط للتجليل الجاف.** يزداد خطر الصدمات الكهربائية إن تسرب الماء إلى داخل العدة الكهربائية.
- ◀ **احرص على عدم تعرض أية أشخاص للإصابة من جراء تطاير الشرر.** قم بإبعاد المواد القابلة للاشتعال عن العدة الكهربائية. عند القيام بتجليل المعادن يتولد شرر متطاير.
- ◀ **تنبيه لخطر الحريق! تجنب تعرض القطعة التي يتم جليجها والمجلاة للسخونة المفرطة.** قم دائماً بتفريغ وعاء البخار قبل فترات الراحة أثناء العمل. قد يحترق غبار التجليل الموجود بكيس الغبار، والفلتر الدقيق، وكيس النفايات الورقية (أو في الفلتر أو في فلتر الكنسة) من جراء الاستخدام غير المناسب، مثل تطاير الشرر أثناء تجليج المعادن.



- (15) ذراع تثبيت صندوق الغبار<sup>(A)</sup>  
 (16) عنصر الفلتر (نظام الفلتر الدقيق)<sup>(A)</sup>  
 (17) مهائش شفط<sup>(A)</sup>  
 (18) خرطوم الشفط<sup>(A)</sup>  
 (19) كيس غبار<sup>(A)</sup>  
 (A) لا يتضمن إطار التوريد الاعتيادي التوابع المصورة أو المشروحة. تجد التوابع الكاملة في برنامجنا للتوابع.

## البيانات الفنية

جلاخة لا مركزية				رقم الصنف
GEX 34-150	GEX 34-150	GEX 34-125	GEX 34-125	
3 601 C72 8..	3 601 C72 8..	3 601 C72 3..	3 601 C72 3..	
-	●	-	●	صندوق الغبار ضمن مجموعة التجهيزات الموردة
●	●	●	●	ضبط عدد التآرجح مسبقا
340	340	340	340	قدرة الدخل الاسمية واط
12000-4500	12000-4500	12000-4500	12000-4500	عدد اللفات اللاحملي دقيقة <sup>1</sup>
24000-9000	24000-9000	24000-9000	24000-9000	عدد التآرجح اللاحملي min <sup>1</sup>
4,0	4,0	5,0	5,0	قطر الدائرة التآرجحية مم
150	150	125	125	قطر صحن التجليخ مم
2,1	2,1	2,0	2,0	الوزن حسب EPTA- Procedure 01:2014 كجم
/ III □	/ III □	/ III □	/ III □	فئة الحماية

تسري البيانات على جهد اسمي [IA] يبلغ 230 فولت. قد تختلف تلك البيانات حسب اختلاف الجهد والطرازات الخاصة بكل دولة.

بتركيب صحن التجليخ الجديد (8) وأحكم ربط اللولب جيداً.

**إرشاد:** تختلف الساحبات لبطانات Ø 125 و Ø 150. يمكن تركيب البطانات على العدد الكهربائي المناسبة لكل منها فقط.

**إرشاد:** يجب مراعاة تثبيت أسنان الساحب في تجايف صحن التجليخ عند تركيبه.

**إرشاد:** يجب أن يتم تغيير حامل صحن التجليخ التالف بمعرفة مركز خدمة عملاء معتمد تابع لعدد Bosch الكهربائية فقط.

## شفط الغبار/النشارة

إن غبار بعض المواد كالطلاء الذي يحتوي على الرصاص، وبعض أنواع الخشب والفلاتز والمعادن، قد تكون مضرّة بالصحة. إن ملامسة أو استنشاق غبار قد يؤدي إلى أعراض حساسية و/أو إلى أمراض الجهاز التنفسي لدى المستخدم أو لدى الأشخاص المتواجدين على مقربة من المكان.

تعتبر بعض الأعبرة المعينة، كأعبرة البلوط والزنان، مسببة للسرطان، ولا سيما عند الارتباط بالمواد الإضافية لمعالجة الخشب (ملح حامض الكروميك، المواد الحافظة للخشب). يجوز أن يتم معالجة المواد التي تحتوي على الأسبستوس من قبل العمال المتخصصين فقط دون غيرهم.

- استخدم شاقطة غبار ملائمة للمادة قدر الإمكان.

- حافظ على تهوية مكان الشغل بشكل جيد.

- ينصح بارتداء قناع وقاية للتنفس بشفاة المرشح P2. تراعى الأحكام السارية في بلدكم بالنسبة للمواد المرغوب معالجتها.

◀ **تجنب تراكم الغبار بمكان العمل.** يجوز أن تشتعل الأعبرة بسهولة.

## التركيب

◀ **اسحب القابس من مقبس الشبكة الكهربائية قبل إجراء أي عمل على العدة الكهربائية.**

### تغيير قرص التجليخ (انظر الصورة A)

قبل تركيب قرص التجليخ الجديد، قم بإزالة الاتساخات والغبار من صحن التجليخ (8) باستخدام فرشاة مثلاً. تتكون الطبقة السطحية لصحن التجليخ (8) من نسج فيلكرو اللاصق، حتى يمكنك تثبيت أنواع الجلج عن طريق الالتصاق بسهولة وسرعة.

اضغط على قرص التجليخ (10) بإحكام من الجانب السفلي لصحن التجليخ (8).

احرص على مراعاة تطابق الثقوب الموجودة في قرص التجليخ مع الفتحات بصحن التجليخ لضمان الشفط المثالي للغبار.

### اختيار صحن الجليخ

يمكن تزويد العدة الكهربائية بصحون تجليخ مختلفة الشفونة حسب مجال الاستخدام:

- صحن التجليخ شديد الليونة: ملائم للصلق والجلج الهادئ، بما فيه السطوح الممدبة

- صحن التجليخ الشري: ملائم لشتى أعمال الجليخ، صالح للاستعمال العام

- صحن التجليخ الفخشن: ملائم للجلج بقدرة أداء مرتفعة على السطوح المستوية

### تغيير صحن التجليخ (انظر الصورة B)

**إرشاد:** احرص على تغيير صحن التجليخ التالف (8) على الفور.

انزع قرص التجليخ أو عدة التلميع. قم بفك اللولب (11) بشكل كامل ثم اخلع صحن التجليخ (8). قم

لوحه صنع العدة الكهربائية. يمكن أن يتم تشغيل العدد الكهربائية المميزة بعلامة 230 فلت في مقبس 220 فلت أيضا.

#### التشغيل والإطفاء

◀ تأكد أنه بإمكانك الضغط على زر التشغيل/الإيقاف دون ترك المقبض اليدوي.

لغرض تشغيل العدة الكهربائية اضغط على مفتاح التشغيل/الإطفاء (4) واحتفظ به مضغوطة.

لغرض تثبيت مفتاح التشغيل/الإطفاء (4)، احتفظ به مضغوطة واضغط على زر التثبيت أيضا (5).

لغرض إطفاء العدة الكهربائية اترك مفتاح التشغيل/الإطفاء (4). في حالة ثبات زر التشغيل/الإطفاء (4)، اضغط عليه أولاً ثم اتركه بعد ذلك.

#### اختيار عدد التآرج مسبقا

باستخدام طارة ضبط عدد التآرج مسبقا (3) يمكنك اختيار عدد التآرج اللازم مسبقا أثناء التشغيل.

1 - 2 عدد تآرج منخفض

3 - 4 عدد تآرج متوسط

5 - 6 عدد تآرج مرتفع

يتعلق عدد التآرج المطلوب بمادة الشغل وبظروف العمل ويمكن استنتاجه من خلال التجربة العملية.

يحافظ التثبيت الإلكتروني على شبه ثبات عدد التآرج بالدوران اللاملي والدوران بحمل، مما يضمن أداء عمل منتظم.

بعد العمل لفترة طويلة بعدد تآرج منخفض ينبغي إدارة العدة الكهربائية لمدة 3 دقائق تقريبا بأقصى عدد تآرج من أجل تبريدها.

#### مكابع صحن التجليخ

إن مكابع صحن الجلج المركب بالعدة يخفض عدد التآرج بالدوران اللاملي بحيث يمنع التآرج عند تركيز العدة الكهربائية على قطعة الشغل.

إن زاد عدد التآرج بمرور الزمن بانتظام، فإن صحن الجلج تالف وتوجب استبداله أو قد تكون مكابع صحن الجلج مستهلكة. ينبغي أن يتم استبدال مكابع صحن الجلج المستهلكة من قبل مركز خدمة عملاء وكالة شركة بوش للعدد الكهربائية.

#### إرشادات العمل

◀ اسحب القابس من مقبس الشبكة الكهربائية قبل إجراء أي عمل على العدة الكهربائية.

◀ انتظر إلى أن تتوقف العدة الكهربائية عن الحركة قبل أن تضعها جانبا.

◀ العدة الكهربائية غير مناسبة للتشغيل من قاعدة ثابتة. فلا يجوز على سبيل المثال الشد بملزمة أو التثبيت على طاولة عمل.

#### تجليخ السطوح

شغل العدة الكهربائية وركزها بكامل سطح التجليخ على السطح المرغوب معالجته وحركها بضغط معتدل عبر قطعة الشغل.

تحدد قدرة الإزاحة وهيئة الجلج بشكل واسع النطاق من خلال خيار ورق الصنفرة ودرجة عدد التآرج التي تم ضبطها مسبقا وضغط الكبس.

فقط أوراق الصنفرة السليمة هي التي تؤدي إلى أداء تجليخ جيد وإلى صيانة العدة الكهربائية.

#### الشفط الذاتي مع استخدام صندوق غبار (انظر الصور C1-C4)

قبل تركيب صندوق الغبار (6)، اسحب المزلاج البلاستيكي (13) للخارج. قم بتركيب صندوق الغبار (6) على وصلة النفخ (14) إلى أن يثبت. احرص على تعشيق المزلاج البلاستيكي (13) في الحامل (12). لتفريغ صندوق الغبار (6)، اضغط على ذراع التثبيت (15) بجانب صندوق الغبار (6). اسحب صندوق الغبار لأسفل (2).

قبل فتح صندوق الغبار (6) قم بالطرق عليه على أرضية ثابتة، كما هو موضح في الصورة، لإخراج الغبار من عنصر الترشيح.

أمسك صندوق الغبار (6) من فتحة القبط وقم بطي عنصر الفلتر (16) لأعلى ثم قم بتفريغ صندوق الغبار. قم بتنظيف شرائح عنصر الفلتر (16) باستخدام فرشاة ناعمة.

#### الشفط الخارجي (انظر الصورة D)

أدخل مهايئ الشفط (17) في وصلة النفخ (14). احرص على تعاشق ذراع التثبيت على وصلة الشفط المهايئة. يمكن توصيل مهايئ الشفط (17) بخرطوم شفط يبلغ قطره 19 مم.

لغرض فك مهايئ الشفط (17)، اضغط على ذراع التثبيت الخاص به لأسفل ثم اخلع مهايئ الشفط.

يجب أن تصلح شافطة الغبار الخوائية للاستعمال مع مادة الشغل المرغوب معالجتها.

استخدم شافطة غبار خوائية خاصة عند شفط الأغبرة المضرة بالصحة أو المسببة للسرطان أو الشديدة الجفاف.

امسك بالعدة الكهربائية بحيث يدل خرطوم الشفط نحو الأسفل عند إجراء الأعمال على السطوح العمودية.

#### الشفط الذاتي مع استخدام كيس غبار (انظر الصورة E)

في الأعمال الأصغر يمكنك توصيل كيس غبار (توابع (19).

قبل تركيب كيس الغبار (19)، اسحب المزلاج البلاستيكي (13) للخارج. أدخل فوهة كيس الغبار بإحكام في وصلة النفخ (14). يجب مراعاة تعشيق المزلاج البلاستيكي (13) في الحامل المخصص لذلك بكيس الغبار (19).

قم بتفريغ كيس الغبار (19) في الوقت المناسب حتى يظل استقبال الغبار في وضع مثالي.

#### مقبض إضافي

يتيح المقبض الإضافي (1) التعامل بشكل مربع وتوزيع القوة بشكل مثالي ولاسيما في أعمال التجليخ الشاققة.

قم بتثبيت المقبض الإضافي (1) في جسم الجهاز باستخدام اللولب (2).

## التشغيل

### بدء التشغيل

◀ يراعى جهد الشبكة الكهربائية! يجب أن يتطابق جهد منبع التيار مع البيانات المذكورة على

## خدمة العملاء واستشارات الاستخدام

يجيب مركز خدمة العملاء على الأسئلة المتعلقة بإصلاح المنتج وصيانته، بالإضافة لقطع الغيار. تجد الرسوم التفصيلية والمعلومات الخاصة بقطع الغيار في الموقع: [www.bosch-pt.com](http://www.bosch-pt.com)  
يسر فريق Bosch لاستشارات الاستخدام مساعدتك إذا كان لديك أي استفسارات بخصوص منتجاتنا وملحقاتها.  
يلزم ذكر رقم الصنف ذو الخانات العشر وفقاً للوحة صنع المنتج عند إرسال أية استفسارات أو طلبيات قطع غيار.

### الجزائر

سيستال  
منطقة الحدادين الصناعية  
06000 بجاية  
هاتف: +213 (0) 982 400 991/2  
فاكس: +213 (0) 3 420 1569  
بريد إلكتروني: [sav@siestal-dz.com](mailto:sav@siestal-dz.com)

### البحرين

شركة الجفلي وإخوانه للمعدات الفنية.  
مملكة البحرين، العكر - بلوك 0624 - شارع 2403 -  
مبنى 0055D  
الهاتف: +97317704537  
فاكس: +973177045257  
البريد الإلكتروني: [h.berjas@eajb.com.sa](mailto:h.berjas@eajb.com.sa)

### مصر

RBEG-LLC  
22 كمال الدين حسين  
شيراتون هليوبوليس  
11799 القاهرة  
البريد الإلكتروني:  
[boschegypt.powertools@eg.bosch.com](mailto:boschegypt.powertools@eg.bosch.com)

### العراق

Sahba Technology Group  
شارع مطار المثنى  
بغداد  
هاتف بغداد: +964 (0) 7 901 930366  
هاتف دبي: +971 (0) 4 422 1898  
البريد الإلكتروني: [duraid@sahbatechnology.com](mailto:duraid@sahbatechnology.com)

### الأردن

شركة الجذور العربية Roots Arabia - الأردن  
شارع الحرية، المقابلين  
عمان 11623، الأردن  
صندوق بريد: 110068  
هاتف: +962 6 4398990  
البريد الإلكتروني: [bosch@rootsjordan.com](mailto:bosch@rootsjordan.com)

### الكويت

منطقة الشويخ الصناعية، مبنى 1، قطعة 16، شارع رقم 3  
صندوق بريد صندوق 164 - 13002 الصفاة  
هاتف: 24810844  
فاكس: 24810879  
بريد إلكتروني: [josephkr@aaalmutawa.com](mailto:josephkr@aaalmutawa.com)

راع المحافظة على ضغط تلامس منتظم لزيادة فترة صلاحية ورق الصنفرة.

لا يؤدي زيادة الضغط على الجهاز إلى أداء تجليخ أعلى بل إلى استهلاك أشد للعدة الكهربائية ولورق الصنفرة.

لا تستخدم ورقة صنفرة سبق وتم استعمالها لمعالجة المعادن لمعالجة المواد الأخرى بعد ذلك.

اقتصر على استخدام توابع التجليخ الأصلي **Bosch**.

### التجليخ الخشن

ركب ورقة صنفرة بمبيبات خشنة.  
اضغط على العدة الكهربائية بخفة فقط بحيث تعمل بعدد تأرجح أعلى ويتم التوصل إلى قدرة إزاحة أكبر للغامة.

### التجليخ الناعم

ركب ورقة صنفرة بمبيبات ناعمة.  
ومن خلال التنويع البسيط في قوة الضغط أو تغيير مستوى عدد التأرجح، يمكن تقليل عدد تأرجح صن التجليخ بحيث يتم الحفاظ على الحركة اللامركزية.  
حرك العدة الكهربائية بضغط خفيف بحركة دائرية سطحية أو بحركة طولية وعرضية متبادلة على قطعة الشغل. لا تميل العدة الكهربائية، كي تتجنب اختراق سطح قطعة الشغل (قشرة خشبية مثلاً).  
اطفئ العدة الكهربائية عند الانتهاء من عملية النشر.

### الصفل

يمكن تزويد العدة الكهربائية بعدد الصفل المناسبة، كغطاء صوف الحمل أو اسفنج/لياد الصفل (من التوابع) مثلاً، من أجل تصقل طلاء الورنيش الذي مر عليه الزمن أو لصفل الخدوش (مثلاً: زجاج الاكريليك).  
عند الصفل اختر عدد تأرجح منخفض (المستوى 1-2)، لتجنب سخونة السطح بشكل زائد.

تطلى مادة التلميع على مساحة أصغر من التي تريد أن تقوم بتلميعها. عالج المكان بمادة التلميع باستعمال عدة تلميع ملائمة بضغط خفيف وبحركة متصالية أو دائرية.

لا تترك مادة التلميع تجف على السطح، وإلا فقد يتلف السطح. لا تعرض السطح المرغوب تلميعه إلى أشعة الشمس المباشرة.

احرص على تنظيف عدد الصفل بشكل منتظم لضمان الحصول على نتائج مثالية في الصفل. اغسل عدد الصفل بمادة تنظيف متعادلة والماء الفاتر، لا تستخدم عوامل الترقيق.

## الصيانة والخدمة

### الصيانة والتنظيف

◀ اسحب القابس من مقبس الشبكة الكهربائية قبل إجراء أي عمل على العدة الكهربائية.  
◀ للعمل بشكل جيد وآمن حافظ دائماً على نظافة العدة الكهربائية وفتحات التهوية.  
إذا تطلب الأمر استبدال خط الإمداد، فينبغي أن يتم ذلك من قبل شركة **Bosch** أو من قبل مركز خدمة الزبائن المعتمد لشركة **Bosch** للعدد الكهربائية، لتجنب التعرض للمخاطر.

العين: 00971 (0) 3 7157419  
البريد الإلكتروني:  
Mallappa.Madari@centralmotors.ae

#### اليمن

مؤسسة أبو الرجال التجارية  
صنعاء، شارع الزبيرى، أمام مبنى البرلمان الجديد  
هاتف: +967-1-202010  
فاكس: +967-1-471917  
بريد إلكتروني: /tech-tools@abualrejal.com  
yahya@abualrejal.com

#### التخلص من العدة الكهربائية

ينبغي تسليم العدد الكهربائية والتوابع والعبوة إلى  
مركز معالجة النفايات بطريقة محافظة على البيئة.  
لا ترم العدد الكهربائية ضمن النفايات  
المنزلية.



**لبنان**  
طحيني هنا وشركاه ش.ذ.م.م.  
صندوق بريد صندوق 449-90  
جديده

الدورة-بيروت  
هاتف: +9611255211  
بريد إلكتروني: service-pt@tehini-hana.com

#### المغرب

Robert Bosch Morocco SARL  
53، شارع الملازم محمد محرو  
20300 الدار البيضاء  
الهاتف: +212 5 29 31 43 27  
البريد الإلكتروني: sav.outillage@ma.bosch.com

#### عمان

ملتن للتجارة والمقاولات ش.م.م  
صندوق بريد 131، روى، مسقط  
الكود البريدي: 112، سلطنة عمان  
هاتف: +968 2479 4035/4089/4901  
جوال: +968-91315465  
فاكس: +968 2479 4058  
البريد الإلكتروني: sudhirkumar@malatan.net

#### قطر

الدولية لملول البناء ش.م.م  
صندوق بريد صندوق 51،  
هاتف الدوحة: +974 40065458  
فاكس: +974 4453 8585  
بريد إلكتروني: csd@icsdoha.com

#### المملكة العربية السعودية

شركة الجفلي للمعدات الفنية (حيثكو)  
صندوق بريد: 1049 - جدة 21431 - المملكة العربية  
السعودية  
جدة: 00966 (0) 12 692 0770 - داخلي 433  
الرياض: 00966 (0) 11 409 3976 -  
داخلي-30/34/39  
الدمام: 00966 (0) 13 833 9565  
البريد الإلكتروني: M.Zreik@eajb.com.sa

#### سوريا

مؤسسة دلال للمعدات الكهربائية  
دمشق، شارع البرامكة - شارع بن عامر  
هاتف: +963112241006 أو 009631122414009  
الجوال: 00963991141005  
البريد الإلكتروني: rita.dallal@hotmail.com

#### تونس

روبرت بوش تونس ش.ذ.م.م  
7 زنقة ابن بطوطة Z.A. سان جوبان  
مقرين رياض  
2014 ابن عروس  
هاتف: +216 71 427 496/879  
فاكس: +216 71 428 621  
بريد إلكتروني: sav.outillage@tn.bosch.com

#### الإمارات العربية المتحدة

المركزية للسيارات والمعدات،  
صندوق بريد 26255، دبي  
دبي: 00971 (0) 4 3090920/3090930  
أبو ظبي: 00971 (0) 2 4017745  
الشارقة: 00971 (0) 6 5932777

## فارسی

### دستورات ایمنی

#### نکات ایمنی عمومی برای ابزارهای برقی

##### هشدار

کلیه هشدارها،

دستورالعملها، تصاویر و

مشخصات ارائه شده به همراه ابزار برقی را

مطالعه کنید. اشتباهات ناشی از عدم رعایت این

دستورات ایمنی ممکن است باعث برق گرفتگی،

سوختگی و یا سایر جراحات های شدید شود.

کلیه هشدارهای ایمنی و راهنماییها را برای

آینده خوب نگهداری کنید.

عبارت «ابزار برقی» در هشدارها به ابزارهایی که به

پریز برق متصل میشوند (با سیم برق) و یا ابزارهای

برقی باتری دار (بدون سیم برق) اشاره دارد.

##### ایمنی محل کار

محیط کار را تمیز و روشن نگه دارید. محیطهای

در هم ریخته یا تاریک احتمال بروز حادثه را

افزایش میدهند.

ابزار برقی را در محیطهایی که خطر انفجار

وجود دارد و حاوی مایعات، گازها و بخارهای

مخترقه هستند، به کار نگیرید. ابزارهای برقی

چرقههایی ایجاد میکنند که میتوانند باعث آتش

گرفتن گرد و غبارهای موجود در هوا شوند.

هنگام کار با ابزار برقی، کودکان و سایر

افراد را از دستگاه دور نگه دارید. در

صورتیکه حواس شما پرت شود، ممکن است کنترل

دستگاه از دست شما خارج شود.

##### ایمنی الکتریکی

دوشاخه ابزار برقی باید با پریز برق تناسب

داشته باشد. هیچگونه تغییری در دوشاخه

ایجاد نکنید. مبدل دوشاخه نباید همراه با

ابزار برقی دارای اتصال زمین استفاده شود.

دوشاخههای اصل و تغییر داده نشده و پریزهای

مناسب، خطر برق گرفتگی را کاهش میدهند.

از تماس بدنی با قطعات متصل به سیم

اتصال زمین مانند لوله، شوفاژ، اجاق برقی و

یخچال خودداری کنید. در صورت تماس بدنی با

سطوح و قطعات دارای اتصال به زمین و همچنین

تماس شما با زمین، خطر برق گرفتگی افزایش

می یابد.

ابزارهای برقی را در معرض باران و رطوبت

قرار ندهید. نفوذ آب به ابزار برقی، خطر شوک

الکتریکی را افزایش میدهد.

از سیم دستگاه برای مقاصد دیگر استفاده

نکنید. هرگز برای حمل ابزار برقی، کشیدن آن

یا خارج کردن دوشاخه از سیم دستگاه

استفاده نکنید. کابل دستگاه را از حرارت،

روغن، لیبهای تیز یا قطعات متحرک دور نگه

دارید. کابلهای آسیب دیده و یا گره خورده خطر

شوک الکتریکی را افزایش میدهند.

هنگام استفاده از ابزار برقی در محیطهای باز،

تنها از کابل رابطی استفاده کنید که برای

محیط باز نیز مناسب باشد. کابل های رابط

مناسب برای محیط باز، خطر برق گرفتگی را کم می کنند.

در صورت لزوم کار با ابزار برقی در محیط و

اماکن مرطوب، باید از یک کلید حفاظتی جریان

خطا و نشستی زمین (کلید قطع کننده اتصال با

زمین) استفاده کنید. استفاده از کلید حفاظتی

جریان خطا و نشستی زمین خطر برق گرفتگی را

کاهش می دهد.

##### رعایت ایمنی اشخاص

حواس خود را خوب جمع کنید، به کار خود

دقت کنید و با فکر و هوشیاری کامل با ابزار

برقی کار کنید. در صورت خستگی و یا در

صورتی که مواد مخدر، الکل و دارو استفاده

کردهاید، با ابزار برقی کار نکنید. یک لحظه بی

توجهی هنگام کار با ابزار برقی، میتواند جرات

های شدیدی به همراه داشته باشد.

از تجهیزات ایمنی شخصی استفاده کنید.

همواره از عینک ایمنی استفاده نمایید.

استفاده از تجهیزات ایمنی مانند ماسک ضد گرد و

غبار، کفشهای ایمنی ضد لغزش، کلاه ایمنی و

گوشی محافظ متناسب با نوع کار با ابزار برقی،

خطر مجروح شدن را کاهش میدهد.

مواظب باشید که ابزار برقی بطور ناخواسته

بکار نیفتد. قبل از وارد کردن دوشاخه

دستگاه در پریز برق، اتصال آن به باتری،

برداشتن آن و یا حمل دستگاه، باید دقت

کنید که ابزار برقی خاموش باشد. در صورتی

که هنگام حمل دستگاه انگشت شما روی دکمه

قطع و وصل باشد و یا دستگاه را در حالت روشن

به برق بزنید، ممکن است سوانع کاری پیش آید.

قبل از روشن کردن ابزار برقی، همه ابزارهای

تنظیم کننده و آچارها را از روی دستگاه

بردارید. ابزار و آچارهایی که روی بخش های

چرخنده دستگاه قرار دارند، میتوانند باعث ایجاد

جرات شوند.

وضعیت بدن شما باید در حالت عادی قرار

داشته باشد. برای کار جای مطمئنی برای

خود انتخاب کرده و تعادل خود را همواره

حفظ کنید. به این ترتیب میتوانید ابزار برقی را در

وضعتهای غیر منتظره بهتر تحت کنترل داشته

باشید.

لباس مناسب بپوشید. از پوشیدن لباسهای

گشاد و حمل زینت آلات خودداری کنید.

موها و لباس خود را از بخشهای در حال

چرخش دستگاه دور نگه دارید. لباسهای گشاد،

موی بلند و زینت آلات ممکن است در قسمتهای

در حال چرخش دستگاه گیر کنند.

در صورتی که تجهیزاتی برای اتصال وسائل

مکش گرد و غبار و یا وسیله جمع کننده گرد

و غبار ارائه شده است، باید مطمئن شوید که

این وسائل درست نصب و استفاده

می شوند. استفاده از وسائل مکش گرد و غبار

مصونیت شما را در برابر گرد و غبار زیادهر کمتر میکند.

آشنایی با ابزار به دلیل کار کردن زیاد با آن

نباید باعث سهل انگاری شما و نادیده گرفتن

اصول ایمنی شود. بی دقتی ممکن است باعث

بروز جراحاتی در عرض کسری از ثانیه شود.

◀ **احتیاط: خطر آتشسوزی! از داغ شدن بیش از اندازه قطعه‌کار و دستگاه ساب جلوگیری کنید.** قبل از انجام استراحت کاری، محافظه گرد و غبار را خالی کنید. گرد و غبار ناشی از سایش در محفظه گرد و غبار، فیلتر ظریف، کیسه کاغذی (یا در کیسه فیلتر یا کیسه مکنده) ممکن است در شرایط نامناسبی مانند پرش جرقه هنگام سابزدن فلزات، خودبه‌خود آتش بگیرند. بخصوص وقتی که گرد و غبار ناشی از سایش، دارای رنگ، بقایای پلیاتان یا سایر مواد شیمیایی و قطعه کار پس از کار طولانی داغ شده باشد، خطرناک است.

◀ **شیارهای تهویه ابزار برقی خود را مرتب تمیز کنید.** گرد و غباری که از طریق پروانه موتور به داخل محفظه وارد شود و یا تجمع زیاد براده فلز در آن ممکن است سوانع و خطرات الکتریکی را منجر گردد.

◀ **ابزار برقی را هنگام کار با دو دست محکم بگیرید و وضعیت خود را ثابت و مطمئن کنید.** ابزار برقی با دو دست مطمئن تر هدایت می شود.

◀ **قبل از کنار گذاشتن ابزار برقی صبر کنید تا دستگاه بطور کامل از کار و حرکت بایستد.** **قطعه کار را محکم کنید.** در صورتیکه قطعه کار به وسیله تجهیزات نگهدارنده و یا بوسیله گیره محکم شده باشد، قطعه کار مطمئن تر نگه داشته میشود، تا اینکه بوسیله دست نگهداشته شود.

## توضیحات محصول و کاربرد

همه دستورات ایمنی و راهنماییها را بخوانید. اشتباهات ناشی از عدم رعایت این دستورات ایمنی ممکن است باعث فرگرفتگی، سوختگی و یا سایر جراحت های شدید شود.



به تصویرهای واقع در بخشهای اول دفترچه راهنما توجه کنید.

### موارد استفاده از دستگاه

ابزار برقی برای سایشکاری روی چوب، پلاستیک، فلز، بتونه و نیز سطوح رنگکاری شده در نظر گرفته شده است.

ابزارهای برقی دارای تنظیم الکترونیکی نیز برای پولیشکاری مناسب هستند.

### اجزاء دستگاه

شماره های اجزاء دستگاه که در تصویر مشاهده میشود، مربوط به شرح ابزار برقی می باشد که تصویر آن در این دفترچه آمده است.

- (1) دسته کمکی (دسته عایق)<sup>(A)</sup>
- (2) پیچ برای دسته کمکی<sup>(A)</sup>
- (3) کلید انتخاب و تنظیم بسامد نوسان
- (4) کلید قطع و وصل
- (5) دکمه قفل و تثبیت کلید قطع و وصل دستگاه
- (6) محفظه گرد و غبار (سیستم میکروفیلتر)<sup>(A)</sup>
- (7) آچار آلن

استفاده صحیح از ابزار برقی و مراقبت از آن از وارد کردن فشار زیاد روی دستگاه خودداری کنید. برای هر کاری، از ابزار برقی مناسب با آن استفاده کنید. بکار گرفتن ابزار برقی مناسب باعث میشود که بتوانید از توان دستگاه بهتر و با اطمینان بیشتر استفاده کنید.

◀ **در صورت ایراد در کلید قطع و وصل ابزار برقی، از دستگاه استفاده نکنید.** ابزار برقی که نمی توان آنها را قطع و وصل کرد، خطرناک بوده و باید تعمیر شوند.

◀ **قبل از تنظیم ابزار برقی، تعویض متعلقات و یا کنار گذاشتن آن، دوشاخه را از برق بکشید و یا باتری آنرا خارج کنید.** رعایت این اقدامات پیشگیری ایمنی از راه افتادن ناخواسته ابزار برقی جلوگیری می کند.

◀ **ابزار برقی را در صورت عدم استفاده، از دسترس کودکان دور نگه دارید و اجازه ندهید که افراد ناوارد و یا اشخاصی که این دفترچه راهنما را نخوانده‌اند، با این دستگاه کار کنند.** قرار گرفتن ابزار برقی در دست افراد ناوارد و بی تجربه خطرناک است.

◀ **از ابزار برقی و متعلقات خوب مراقبت کنید.** مواظب باشید که قسمت های متحرک دستگاه خوب کار کرده و گیر نکنند. همچنین دقت کنید که قطعات ابزار برقی شکسته و یا آسیب دیده نباشند. قطعات آسیب دیده را قبل از شروع به کار تعمیر کنید. علت بسیاری از سوانع کاری، عدم مراقبت کامل از ابزارهای برقی می باشد.

◀ **ابزار برش را تیز و تمیز نگه دارید.** ابزار برشی که خوب مراقبت شده و از لبه های تیز برخوردار است، کمتر در قطعه کار گیر کرده و بهتر قابل هدایت است.

◀ **ابزار برقی، متعلقات، متهای دستگاه و غیره را مطابق دستورات این جزوه راهنما به کار گیرید و به شرایط کاری و نوع کار نیز توجه داشته باشید.** استفاده از ابزار برقی برای عملیاتی به جز مقاصد در نظر گرفته شده، میتواند به بروز شرایط خطرناک منجر شود.

◀ **دستها و سطوح عایق را همواره خشک، تمیز و عاری از روغن و گریس نگه دارید.** دسته های لغزنده مانع ایمنی و کنترل در کار در شرایط غیر منتظره هستند.

### سرویس

◀ **برای تعمیر ابزار برقی فقط به متخصصین حرفهای رجوع کنید و از قطعات یدکی اصل استفاده نمایید.** این باعث خواهد شد که ایمنی دستگاه شما تضمین گردد.

### دستورات ایمنی برای دستگاه ساب

◀ **از ابزار برقی تنها برای ساب خشک استفاده کنید.** نفوذ آب به ابزار الکتریکی، خطر شوک الکتریکی را افزایش میدهد.

◀ **دقت کنید که هیچ فردی در معرض پرش جرقه قرار نگرفته باشد.** اشیاء قابل اشتعال نزدیک را بردارید. هنگام سابزدن فلزات، جرقه تولید میشود.

- (8) صفحه سنباده  
(9) دسته (دارای سطح عایق)  
(10) صفحه سنباده<sup>(A)</sup>  
(11) پیچ صفحه سنباده  
(12) نگهدارنده محفظه گرد و غبار<sup>(A)</sup>  
(13) ضامن پلاستیکی  
(14) لوله خروجی گرد و غبار
- (15) اهرم قفلکننده محفظه گرد و غبار<sup>(A)</sup>  
(16) بخش فیلتر (سیستم میکروفیلتر)<sup>(A)</sup>  
(17) آداپتور مکش<sup>(A)</sup>  
(18) آداپتور مکش<sup>(A)</sup>  
(19) کیسه گرد و غبار<sup>(A)</sup>
- <sup>(A)</sup> کلیه متعلقاتی که در تصویر و یا در متن آمده است، بطور معمول همراه دستگاه ارائه نمی شود. لطفاً لیست کامل متعلقات را از فهرست برنامه متعلقات اقتباس نمایید.

## مشخصات فنی

سنباده گرد لرزان					
GEX 34-150	GEX 34-150	GEX 34-125	GEX 34-125		
3 601 C72 3..	3 601 C72 3..	3 601 C72 3..	3 601 C72 3..		شماره فنی
-	●	-	●		محفظه گرد و غبار در متویات ارسالی
●	●	●	●		انتخاب تعداد ضربه دورانی
340	340	340	340	W	توان ورودی نامی
4500-12000	4500-12000	4500-12000	4500-12000	1min	تعداد دور در حالت بدون بار
9000-24000	9000-24000	9000-24000	9000-24000	1min	سرعت لرزش در حالت آزاد
4,0	4,0	5,0	5,0	mm	قطر میدان لرزش
150	150	125	125	mm	قطر صفحه سنباده
2,1	2,1	2,0	2,0	kg	وزن مطابق استاندارد EPTA-Procedure 01:2014
II/□	II/□	II/□	II/□		کلاس ایمنی

مقادیر برای ولتاژ نامی [U] 230 ولت میباشند. برای ولتاژهای مختلف و تولیدات مخصوص کشورها، ممکن است این مقادیر، متفاوت باشند.

- صفحه سنباده نرم: مناسب برای همه نوع سنباده کاری، استفاده عمومی
- صفحه سنباده بسیار سخت: برای سنباده کاری با قدرت سایش بالا برای سطوح مسطح مناسب است

### تعویض صفحه سنباده (رجوع شود به تصویر B)

- نکته:** کفی سنباده (8) آسیبدیده را بیدرنگ تعویض کنید.
- صفحه سنباده و همچنین ابزار پولیش را بیرون بکشید. پیچ (11) را کاملاً بیرون بکشید و کفی سنباده (8) را بردارید. کفی سنباده جدید (8) را قرار دهید و پیچ را دوباره سفت کنید.
- نکته:** حرکت دهندهها برای قطر صفحات 150 و قطر صفحات 125 متفاوت است. این صفحات را می توان تنها روی ابزار برقی متناسب نصب کرد.
- نکته:** هنگام قرار دادن کفی سنباده دقت کنید که دندانههای مربوط در شارهای کفی سنباده جا بیافتند.
- نکته:** در صورت آسیبدگی نگهدارنده کفی سنباده بایستی به یکی از نمایندگیهای مجاز ابزارآلات Bosch مراجعه کرد.

### مکش گرد، براده و تراشه

گرد و غبار موادی مانند رنگ های دارای سرب، بعضی از چوب ها، مواد معدنی و فلزات میتوانند

## نصب

◀ پیش از انجام هرگونه کاری بر روی ابزار الکتریکی، دوشاخه اتصال آنرا از داخل پریز برق بیرون بکشید.

### تعویض صفحه سنباده (رجوع شود به تصویر A)

- قبل از قرار دادن صفحه سنباده، آلودگی و گرد و غبار کفی سنباده (8) را توسط برس بزدایید.
- سطح کفی سنباده (8) دارای بافت چسبانی است که صفحات سنباده چسبنده به راحتی روی آن محکم می شوند.
- صفحه سنباده (10) را محکم به زیر کفی سنباده (8) فشار دهید.
- جهت تضمین مکش بهینه گرد و غبار دقت کنید که برآمدگیهای روی صفحه سنباده با سوراخهای روی کفی سنباده مطابقت داشته باشند.

### نحوه انتخاب صفحه سنباده

بسته به نوع کار با ابزار، میتوان ابزار برقی را به صفحه های سنباده مختلف با میزان سختی متفاوت مجهز نمود:

- صفحه سنباده بسیار نرم: برای پولیش کاری و سنباده کاری ظریف و حساس و همچنین برای سطوح محدب مناسب است

### مکش خود با کیسه گرد و غبار (رجوع کنید به تصویر E)

برای کارهای کوچک می توان یک کیسه گرد و غبار (متعلقات) (19) نصب کرد. قبل از نصب محافظه گرد و غبار (19) ضامن پلاستیکی (13) را بیرون بکشید. آداپتور مکش را در لوله خروجی هوا (14) فرو کنید. دقت کنید که ضامن پلاستیکی (13) در نگهدارنده (19) جایافتد. کیسه گرد و غبار (19) را جهت مکش بهینه مرتب خالی کنید.

### دسته کمکی

دسته کمکی (1) کاربری راحت و پخش نیروی بهینه حتی برای لایه برداری زیاد را فراهم می کند. دسته کمکی (1) را با پیچ (2) روی بدنه محکم کنید.

## طرز کار با دستگاه

### راه اندازی و نحوه کاربرد دستگاه

◀ به ولتاژ شبکه برق توجه کنید! ولتاژ منبع جریان برق باید با مقادیر موجود بر روی برچسب ابزار الکتریکی مطابقت داشته باشد. ابزارهای برقی را که با ولتاژ 230 V ولت مشخص شده اند، می توان تحت ولتاژ 220 V ولت نیز بکار برد.

### نحوه روشن و خاموش کردن

◀ از فعال کردن کلید قطع و وصل بدون رها کردن دسته مطمئن شوید.

جهت روشن کردن ابزار برقی کلید قطع/وصل (4) را فشار دهید و آنرا نگهدارید.

برای تثبیت کلید قطع و وصل (4) آن و کلید تثبیت (5) را فشار دهید.

برای خاموش کردن ابزار برقی کلید قطع و وصل (4) را رها کنید. در صورت قفل بودن کلید قطع و وصل (4) آن را ابتدا فشار دهید و بعد آن را رها کنید.

### نحوه انتخاب تعداد ضربه دورانی

با چرخک انتخاب تعداد ضربه (3) می توان تعدا ضربه لازم را حتی هنگام کار انتخاب کرد.

1 - 2 سرعت لرزش (نوسان) کم

3 - 4 سرعت لرزش (نوسان) متوسط

5 - 6 سرعت لرزش (نوسان) بالا

میزان و تعداد نوسان مورد نیاز بستگی به جنس قطعه کار و شرایط کاری دارد و نوسان لازم را میتوان از طریق آزمایش و کار عملی بدست آورد. ثابت کننده الکترونیک، سرعت لرزش را هنگام کار بدون بار ثابت نگه می دارد و توان کاری متعادلی را تضمین می کند.

پس از کار طولانی با تعداد لرزش پایین باستی ابزار برقی جهت خنک شدن حدود 3 دقیقه با بیشترین تعداد لرزش بدون بار کار کند.

### متوقف کننده صفحه سنباده

متوقف کننده (ترمز) صفحه سنباده تعبیه شده در ابزار برقی، میزان سرعت لرزش دستگاه را در حالت

برای سلامتی مضر باشند. دست زدن و یا تنفس کردن گرد و غبار ممکن است باعث بروز آلرژی و یا بیماری مجاری تنفسی شخص استفاده کننده و یا افرادی که در آن نزدیکی میباشند، بشود. گرد و غبارهای مخصوصی مانند گرد و غبار درخت بلوط و یا درخت راش سرطان زا هستند، بخصوص ترکیب آنها با سایر موادی که برای کار بر روی چوب (کرومات، مواد برای محافظت از چوب) بکار برده میشوند. فقط افراد متخصص مجازند با موادی که دارای آزیست میباشند کار کنند.

- حتی الامکان از یک دستگاه مکش مناسب و درخور ماده (قطعه کار) استفاده کنید.

- توجه داشته باشید که محل کار شما از تهویه هوای کافی برخوردار باشد.

- توصیه میشود از ماسک تنفسی ایمنی با درجه فیلتر P2 استفاده کنید.

به قوانین و مقررات معتبر در کشور خود در رابطه با استفاده از مواد و قطعات کاری توجه کنید.

◀ از تجمع گرد و غبار در محل کار جلوگیری کنید. گرد و غبار می توانند به آسانی مشتعل شوند.

### مکش خود با محافظه گرد و غبار (رجوع کنید به تصاویر C1-C4)

قبل از نصب محافظه گرد و غبار (6) ضامن پلاستیکی (13) را بیرون بکشید. محافظه گرد و غبار (6) را روی زانویی خروجی هوا (14) قرار دهید تا جا بیافتد. دقت کنید که ضامن پلاستیکی (13) در نگهدارنده (12) جایافتد.

جهت خالی کردن محافظه گرد و غبار (6) اهرم قفل کننده (15) واقع در کنار محافظه گرد و غبار را فشار دهید (4). محافظه گرد و غبار را به طرف پایین بکشید (2).

قبل از باز کردن محافظه گرد و غبار (6) بایستی آن را مانند تصویر روی یک سطح محکم قرار دهید تا گرد و غبار از بخش فیلتر جدا شود.

محافظه گرد و غبار (6) را از طرف فرورفتگی بگیرید، بخش فیلتر (16) را به طرف بالا باز کنید و محافظه گرد و غبار را خالی نمایید. برشهای بخش فیلتر (16) را با یک برس نرم تمیز کنید.

### مکش سایر مواد (رجوع کنید به تصویر D)

آداپتور مکش (17) را در لوله خروجی هوا (14) فرو کنید. توجه داشته باشید که اهرم های (زبانه های) قفل کننده آداپتور مکش بدرستی قرار و بخوبی جا بیافتند. به آداپتور مکش (17) می توان یک شلنگ مکش با قطر 19 میلیمتر متصل کرد.

برای باز کردن آداپتور مکش (17) اهرم قفلکننده آن را از پشت فشار دهید و آن را بیرون بکشید. دستگاه مکنده باید برای قطعه کار مورد نظر مناسب باشد.

برای مکش گرد و غباری که برای سلامتی مضرند و سرطان زا هستند و یا برای مکش تراشه های خشک باید از یک دستگاه مکنده مخصوص استفاده کنید. ابزار برقی را در طول کار در سطوح عمودی طوری نگهدارید که شلنگ مکش طرف پایین را نشان دهد.



تا از ایجاد شیار و از بین رفتن از جمله روکش قطعه کار جلوگیری بشود.  
پس از پایان کار ابزار برقی را خاموش کنید.

### پولیش کاری

برای پولیش کردن سطوح فرسوده در اثر آب و هوا و یا برای پرداخت خراشیدگی هایی از جمله بر روی شیشه آکریل، میتوان ابزار برقی را به ابزار پولیش کاری مانند صفحه پشمی و یا صفحه اسفنجی، صفحه نمدی (متعلقات) مجهز نمود.

هنگام پولیشکاری یک درجه پایین از تعداد لرزش (درجه 1-2) را برای جلوگیری از ایجاد گرمای زیاد سطح انتفاخ کنید.

ابزار پولیش را روی مساحت کوچکتر از آن مقدار مورد نظر پولیشکاری قرار دهید. ابزار پولیش را همراه با دستگاه پولیشکاری مناسب و با انجام حرکات ضربدری یا دایره‌ای و نیز فشار متعادل بکار برید.

نگذارید این مواد روی سطح خشک شوند، در غیر اینصورت به سطح آسیب می رسد. سطح مورد پولیش کاری را در مقابل نور مستقیم خورشید قرار ندهید.

جهت بدست آوردن نتیجه مطلوب، ابزارهای پولیش را مرتب تمیز کنید. ابزار پولیش کاری را بوسیله مواد پاک کننده ضعیف و با استفاده از آب گرم بشوئید و از مواد رقیق کننده (از جمله تینر رنگ) استفاده نکنید.

## مراقبت و سرویس

### مراقبت، تعمیر و تمیز کردن دستگاه

◀ **پیش از انجام هرگونه کاری بر روی ابزار الکتریکی، دوشاخه اتصال آنرا از داخل پریز برق بیرون بکشید.**

◀ **ابزار الکتریکی و شیارهای تهویه آنرا تمیز نگاه دارید، تا ایمنی شما در کار تضمین گردد.**

در صورت نیاز به یک کابل پدکی برای اتصال به شبکه برق، بایستی به شرکت **Bosch** و یا به نمایندگی مجاز **Bosch** (خدمات پس از فروش) برای ابزار آلات برقی مراجعه کنید تا از بروز خطرات ایمنی جلوگیری بعمل آید.

### خدمات و مشاوره با مشتریان

خدمات مشتری، به سئوالات شما درباره تعمیرات، سرویس و همچنین قطعات یدکی پاسخ خواهد داد. نقشه‌های سه بعدی و اطلاعات مربوط به قطعات یدکی را در تارنمای زیر میباید:

[www.bosch-pt.com](http://www.bosch-pt.com)

گروه مشاوره به مشتریان Bosch با کمال میل به سئوالات شما درباره محصولات و متعلقات پاسخ می دهند.

برای هرگونه سؤال و یا سفارش قطعات یدکی، حتماً شماره فنی 10 رقمی کالا را مطابق برچسب روی ابزار برقی اطلاع دهید.

### ایران

روبرت بوش ایران - شرکت بوش تجارت پارس  
میدان ونک، خیابان شهید خدای، خیابان آفتاب

آزاد (بدون بار) کاهش میدهد و بدینوسیله با قرار دادن ابزار برقی بر روی قطعه کار، از ایجاد شیار در سطح قطعه کار جلوگیری بعمل می آید.

چنانچه میزان سرعت لرزش ابزار برقی به مرور افزایش پیدا کند، نشانگر آنست که یا صفحه سنبله آسیب دیده است و باید تعویض گردد و یا اینکه متوقف کننده صفحه سنبله فرسوده شده است. متوقف کننده (ترمز) مستهلک صفحه سنبله، بایستی توسط تعمیرگاه مجاز و خدمات پس از فروش ابزارآلات برقی بوش تعویض گردد.

### راهنمائیهای عملی

◀ **پیش از انجام هرگونه کاری بر روی ابزار الکتریکی، دوشاخه اتصال آنرا از داخل پریز برق بیرون بکشید.**

◀ **قبل از کنار گذاشتن ابزار برقی صبر کنید تا دستگاه بطور کامل از کار و حرکت بایستد.**

◀ **ابزار برقی برای کار ثابت روی میز مناسب نیست، مثلاً نباید در گیره روی میز مهار شود یا روی میز کار بسته شود.**

### سنبله کاری سطوح

ابزار برقی را روشن کنید و آنرا با تمام سطح صفحه سنبله بر روی سطحی که باید آماده شود قرار داده و دستگاه را با فشار یکنواخت و متعادل بر روی قطعه کار حرکت دهید.

توان کار، میزان لایه برداری و نتیجه کار پرداخت عمدتاً بستگی به نوع کاغذ سنبله، تعداد ضربه دورانی میزان فشار دارد.

فقط کاغذهای سنبله سالم قدرت سایش را بالا برده و طول عمر ابزار برقی را حفظ می کنند.

سعی کنید که همیشه با فشار منظم و متعادل بر روی قطعه کار کنید، تا دوام کاغذ های سنبله افزایش یابند.

فشار بیش از حد بر روی قطعه کار باعث افزایش توان سنبله کاری نمیشد، بلکه منجر به استهلاک ابزار برقی و کاغذ سنبله می شود.

کاغذ سنبله ای که از آن برای سنبله کاری فلزات استفاده شده است، آنرا برای سنبله کاری قطعات دیگر بکار نبرید.

تنها متعلقات ساب اصلی **Bosch** را بکار برید.

### سنبله کاری زمخت (درشت)

یک کاغذ سنبله دانه درشت را نصب کنید.

ابزار برقی را با فشار کم و بطور آهسته بر روی قطعه کار به گونه ای حرکت بدهید که دستگاه تحت سرعت لرزش بالا عملکرد داشته باشد و میزان لایه برداری بسیار بدست آید.

### سنبله کاری ظریف

یک کاغذ سنبله دانه ریز را نصب کنید.

با کمی تغییر در فشار روی ابزار یا تغییر درجه تعداد لرزش میتوان تعداد لرزش کمی سنبله را کاهش داد در حالی که حرکت گریز از مرکز ثابت میماند.

ابزار برقی را با فشار متعادل با انجام حرکت دایره مانند و یا بصورت متناوب در جهت طولی و عرضی بر روی قطعه کار حرکت بدهید. ابزار برقی را کج نکنید

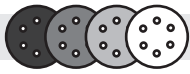
ساختمان مادیران، شماره 3، طبقه سوم.  
تهران 1994834571  
تلفن: 9821+ 42039000

### از رده خارج کردن دستگاه

ابزار برقی، متعلقات و بسته بندی آن، باید طبق مقررات حفظ محیط زیست از رده خارج و بازیافت شوند.

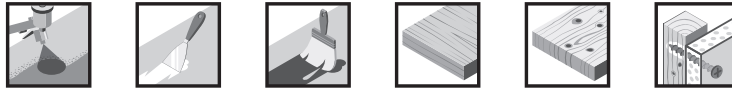
ابزارهای برقی را داخل زباله دان خانگی نیاندازید!





**M480 Net**

best **for** **Wood+Paint**



Rough/Remove	80	Medium/Prepare	100	Fine/Finish	220
			120		240
			150		320
			180		400

**C470**

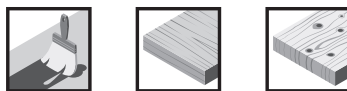
best **for** **Wood+Paint**



Rough/Remove	40	Medium/Prepare	100	Fine/Finish	220
	60		120		240
	80		150		320
			180		

**C430**

expert **for** **Wood+Paint**



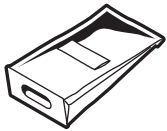
Rough/Remove	40	Medium/Prepare	120	Fine/Finish	240
	60		180		
	80				

**F355**

best **for** **Coatings+Composites**



Rough/Remove	80	Medium/Prepare	100	Fine/Finish	240	Very fine/Finish	600
			120		320		1200
			180		400		



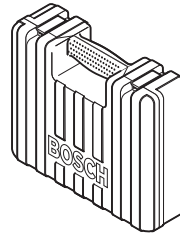
2 605 411 067 (3x)  
2 605 411 068 (10x)



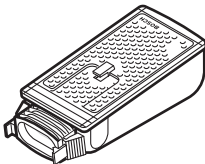
2 602 026 070



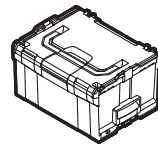
2 605 411 096



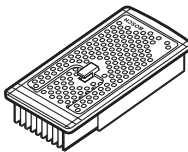
2 605 438 129



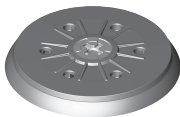
2 605 411 147



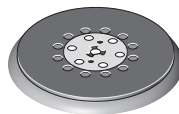
1 600 A01 2G2



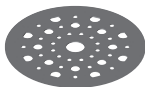
2 605 190 266



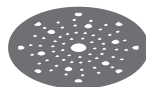
GEX 34 -125  
Hard 2 608 900 005  
Medium 2 608 900 004  
Soft 2 608 900 003



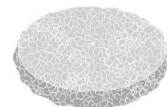
GEX 34 -150  
Hard 2 608 900 008  
Medium 2 608 900 007  
Soft 2 608 900 006



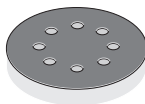
GEX 34 -125  
2 608 000 689



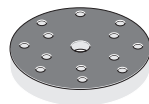
GEX 34 -150  
2 608 000 690



3 608 610 000 (2x)



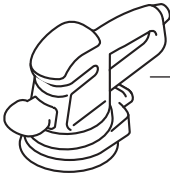
GEX 34 -125  
2 608 601 126



GEX 34 -150  
2 608 601 127



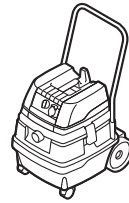
3 608 604 000 (2x)  
3 608 604 001 (2x)



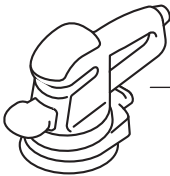
2 600 306 007



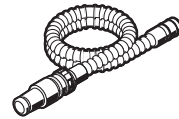
Ø 19 mm  
2 607 002 161 (3 m)  
2 607 002 162 (5 m)



GAS 25  
GAS 50  
GAS 50 M



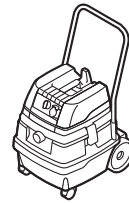
2 600 306 007



Ø 19 mm  
2 600 793 009 (3 m)  
1 610 793 002 (5 m)



1 609 200 933



GAS 25  
GAS 50  
GAS 50 M