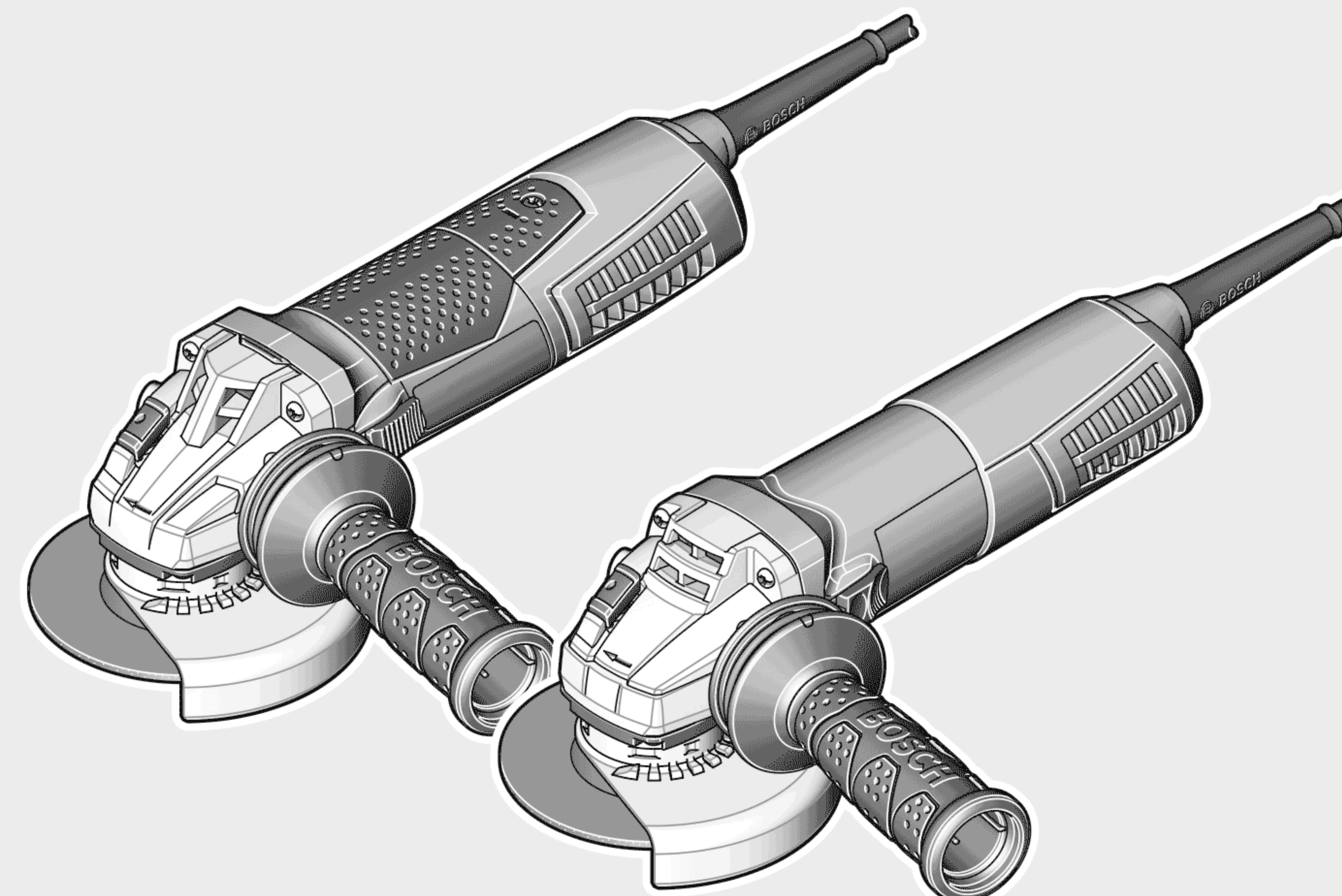


ПАРКЕТНАЯ  
КОМПАНИЯ



**Robert Bosch Power Tools GmbH**  
70538 Stuttgart  
GERMANY

[www.bosch-pt.com](http://www.bosch-pt.com)

1 609 92A 337 (2016.09) 0 / 287



1 609 92A 337

## GWS Professional

9-115 | 9-125 | 11-125 | 12-125 CI | 13-125 CI | 13-125 CIE |  
15-125 CIE | 15-125 Inox | 17-125 CI | 17-125 CIE | 17-125 CIT | 17-150 CI |  
17-125 Inox | 19-125 CI | 19-125 CIE | 19-150 CI | 19-125 CIST



- |                                              |                                                    |                                         |
|----------------------------------------------|----------------------------------------------------|-----------------------------------------|
| <b>de</b> Originalbetriebsanleitung          | <b>tr</b> Orijinal işletme talimatı                | <b>mk</b> Оригинално упатство за работа |
| <b>en</b> Original instructions              | <b>pl</b> Instrukcja oryginalna                    | <b>sr</b> Originalno uputstvo za rad    |
| <b>fr</b> Notice originale                   | <b>cs</b> Původní návod k používání                | <b>sl</b> Izvirna navodila              |
| <b>es</b> Manual original                    | <b>sk</b> Pôvodný návod na použitie                | <b>hr</b> Originalne upute za rad       |
| <b>pt</b> Manual original                    | <b>hu</b> Eredeti használati utasítás              | <b>et</b> Algupärane kasutusjuhend      |
| <b>it</b> Istruzioni originali               | <b>ru</b> Оригинальное руководство по эксплуатации | <b>lv</b> Instrukcijas oriģinālvalodā   |
| <b>nl</b> Oorspronkelijke gebruiksaanwijzing | <b>uk</b> Оригінальна інструкція з експлуатації    | <b>lt</b> Originali instrukcija         |
| <b>da</b> Original brugsanvisning            | <b>kk</b> Пайдалану нұсқаулығының түпнұсқасы       | <b>ko</b> 사용 설명서 원본                     |
| <b>sv</b> Bruksanvisning i original          | <b>ro</b> Instrucțiuni originale                   | <b>ar</b> تعليمات التشغيل الأصلية       |
| <b>no</b> Original driftsinstruks            | <b>bg</b> Оригинална инструкция                    | <b>fa</b> دفترچه راهنمای اصلی           |
| <b>fi</b> Alkuperäiset ohjeet                |                                                    |                                         |
| <b>el</b> Πρωτότυπο οδηγιών χρήσης           |                                                    |                                         |





Deutsch .....	Seite	3
English .....	Page	11
Français .....	Page	19
Español .....	Página	27
Português .....	Página	36
Italiano .....	Pagina	44
Nederlands .....	Pagina	53
Dansk .....	Side	61
Svenska .....	Sida	68
Norsk .....	Side	75
Suomi .....	Sivu	83
Ελληνικά .....	Σελίδα	90
Türkçe .....	Sayfa	99
Polski .....	Strona	107
Česky .....	Strana	115
Slovensky .....	Strana	123
Magyar .....	Oldal	131
Русский .....	Страница	139
Українська .....	Сторінка	149
Қазақша .....	Бет	157
Română .....	Pagina	166
Български .....	Страница	174
Македонски .....	Страна	183
Srpski .....	Strana	191
Slovensko .....	Stran	199
Hrvatski .....	Stranica	206
Eesti .....	Lehekülj	214
Latviešu .....	Lappuse	221
Lietuviškai .....	Puslapis	229
한국어 .....	페이지	237
عربي .....	صفحة	252
فارسی .....	صفحه	261
CE .....		I



**Österreich**

Unter [www.bosch-pt.at](http://www.bosch-pt.at) können Sie online Ersatzteile bestellen.

Tel.: (01) 797222010

Fax: (01) 797222011

E-Mail: [service.elektrowerkzeuge@at.bosch.com](mailto:service.elektrowerkzeuge@at.bosch.com)

**Schweiz**

Unter [www.bosch-pt.com/ch/de](http://www.bosch-pt.com/ch/de) können Sie online Ersatzteile bestellen.

Tel.: (044) 8471511

Fax: (044) 8471551

E-Mail: [Aftersales.Service@de.bosch.com](mailto:Aftersales.Service@de.bosch.com)

**Luxemburg**

Tel.: +32 2 588 0589

Fax: +32 2 588 0595

E-Mail: [outillage.gereedschap@be.bosch.com](mailto:outillage.gereedschap@be.bosch.com)

**Entsorgung**

Elektrowerkzeuge, Zubehör und Verpackungen sollen einer umweltgerechten Wiederverwertung zugeführt werden.

Werfen Sie Elektrowerkzeuge nicht in den Hausmüll!

**Nur für EU-Länder:**

Gemäß der Europäischen Richtlinie 2012/19/EU über Elektro- und Elektronik-Altgeräte und ihrer Umsetzung in nationales Recht müssen nicht mehr gebrauchsfähige Elektrowerkzeuge getrennt gesammelt und einer umweltgerechten Wiederverwertung zugeführt werden.

Änderungen vorbehalten.

**English****General Power Tool Safety Warnings**

**⚠ WARNING** Read all safety warnings and all instructions. Failure to follow the warnings and instructions may result in electric shock, fire and/or serious injury.

**Save all warnings and instructions for future reference.**

The term "power tool" in the warnings refers to your mains-operated (corded) power tool or battery-operated (cordless) power tool.

**Work area safety**

- ▶ **Keep work area clean and well lit.** Cluttered or dark areas invite accidents.
- ▶ **Do not operate power tools in explosive atmospheres, such as in the presence of flammable liquids, gases or dust.** Power tools create sparks which may ignite the dust or fumes.
- ▶ **Keep children and bystanders away while operating a power tool.** Distractions can cause you to lose control.

**Electrical safety**

- ▶ **Power tool plugs must match the outlet. Never modify the plug in any way. Do not use any adapter plugs with earthed (grounded) power tools.** Unmodified plugs and matching outlets will reduce risk of electric shock.
- ▶ **Avoid body contact with earthed or grounded surfaces, such as pipes, radiators, ranges and refrigerators.** There is an increased risk of electric shock if your body is earthed or grounded.
- ▶ **Do not expose power tools to rain or wet conditions.** Water entering a power tool will increase the risk of electric shock.
- ▶ **Do not abuse the cord. Never use the cord for carrying, pulling or unplugging the power tool. Keep cord away from heat, oil, sharp edges and moving parts.** Damaged or entangled cords increase the risk of electric shock.
- ▶ **When operating a power tool outdoors, use an extension cord suitable for outdoor use.** Use of a cord suitable for outdoor use reduces the risk of electric shock.
- ▶ **If operating a power tool in a damp location is unavoidable, use a residual current device (RCD) protected supply.** Use of an RCD reduces the risk of electric shock.

**Personal safety**

- ▶ **Stay alert, watch what you are doing and use common sense when operating a power tool. Do not use a power tool while you are tired or under the influence of drugs, alcohol or medication.** A moment of inattention while operating power tools may result in serious personal injury.
- ▶ **Use personal protective equipment. Always wear eye protection.** Protective equipment such as dust mask, non-skid safety shoes, hard hat, or hearing protection used for appropriate conditions will reduce personal injuries.
- ▶ **Prevent unintentional starting. Ensure the switch is in the off-position before connecting to power source and/or battery pack, picking up or carrying the tool.** Carrying power tools with your finger on the switch or energising power tools that have the switch on invites accidents.
- ▶ **Remove any adjusting key or wrench before turning the power tool on.** A wrench or a key left attached to a rotating part of the power tool may result in personal injury.
- ▶ **Do not overreach. Keep proper footing and balance at all times.** This enables better control of the power tool in unexpected situations.
- ▶ **Dress properly. Do not wear loose clothing or jewellery. Keep your hair, clothing and gloves away from moving parts.** Loose clothes, jewellery or long hair can be caught in moving parts.
- ▶ **If devices are provided for the connection of dust extraction and collection facilities, ensure these are connected and properly used.** Use of dust collection can reduce dust-related hazards.



## 12 | English

**Power tool use and care**

- ▶ **Do not force the power tool. Use the correct power tool for your application.** The correct power tool will do the job better and safer at the rate for which it was designed.
- ▶ **Do not use the power tool if the switch does not turn it on and off.** Any power tool that cannot be controlled with the switch is dangerous and must be repaired.
- ▶ **Disconnect the plug from the power source and/or the battery pack from the power tool before making any adjustments, changing accessories, or storing power tools.** Such preventive safety measures reduce the risk of starting the power tool accidentally.
- ▶ **Store idle power tools out of the reach of children and do not allow persons unfamiliar with the power tool or these instructions to operate the power tool.** Power tools are dangerous in the hands of untrained users.
- ▶ **Maintain power tools. Check for misalignment or binding of moving parts, breakage of parts and any other condition that may affect the power tool's operation. If damaged, have the power tool repaired before use.** Many accidents are caused by poorly maintained power tools.
- ▶ **Keep cutting tools sharp and clean.** Properly maintained cutting tools with sharp cutting edges are less likely to bind and are easier to control.
- ▶ **Use the power tool, accessories and tool bits etc. in accordance with these instructions, taking into account the working conditions and the work to be performed.** Use of the power tool for operations different from those intended could result in a hazardous situation.

**Service**

- ▶ **Have your power tool serviced by a qualified repair person using only identical replacement parts.** This will ensure that the safety of the power tool is maintained.

**Safety Warnings for Angle Grinder****Safety Warnings common for Grinding, Sanding, Wire Brushing or Abrasive Cutting Off Operations**

- ▶ **This power tool is intended to function as a grinder, sander, wire brush or cut-off tool. Read all safety warnings, instructions, illustrations and specifications provided with this power tool.** Failure to follow all instructions listed below may result in electric shock, fire and/or serious injury.
- ▶ **Operations such as polishing are not recommended to be performed with this power tool.** Operations for which the power tool was not designed may create a hazard and cause personal injury.
- ▶ **Do not use accessories which are not specifically designed and recommended by the tool manufacturer.** Just because the accessory can be attached to your power tool, it does not assure safe operation.
- ▶ **The rated speed of the accessory must be at least equal to the maximum speed marked on the power tool.** Accessories running faster than their rated speed can break and fly apart.
- ▶ **The outside diameter and the thickness of your accessory must be within the capacity rating of your power tool.** Incorrectly sized accessories cannot be adequately guarded or controlled.
- ▶ **Threaded mounting of accessories must match the grinder spindle thread. For accessories mounted by flanges, the arbour hole of the accessory must fit the locating diameter of the flange.** Accessories that do not match the mounting hardware of the power tool will run out of balance, vibrate excessively and may cause loss of control.
- ▶ **Do not use a damaged accessory. Before each use inspect the accessory such as abrasive wheels for chips and cracks, backing pad for cracks, tear or excess wear, wire brush for loose or cracked wires. If power tool or accessory is dropped, inspect for damage or install an undamaged accessory. After inspecting and installing an accessory, position yourself and bystanders away from the plane of the rotating accessory and run the power tool at maximum no-load speed for one minute.** Damaged accessories will normally break apart during this test time.
- ▶ **Wear personal protective equipment. Depending on application, use face shield, safety goggles or safety glasses. As appropriate, wear dust mask, hearing protectors, gloves and workshop apron capable of stopping small abrasive or workpiece fragments.** The eye protection must be capable of stopping flying debris generated by various operations. The dust mask or respirator must be capable of filtering particles generated by your operation. Prolonged exposure to high intensity noise may cause hearing loss.
- ▶ **Keep bystanders a safe distance away from work area. Anyone entering the work area must wear personal protective equipment.** Fragments of workpiece or of a broken accessory may fly away and cause injury beyond immediate area of operation.
- ▶ **Hold the power tool by insulated gripping surfaces only, when performing an operation where the cutting accessory may contact hidden wiring or its own cord.** Cutting accessory contacting a "live" wire may make exposed metal parts of the power tool "live" and could give the operator an electric shock.
- ▶ **Position the cord clear of the spinning accessory.** If you lose control, the cord may be cut or snagged and your hand or arm may be pulled into the spinning wheel.
- ▶ **Never lay the power tool down until the accessory has come to a complete stop.** The spinning wheel may grab the surface and pull the power tool out of your control.
- ▶ **Do not run the power tool while carrying it at your side.** Accidental contact with the spinning accessory could snag your clothing, pulling the accessory into your body.





- ▶ **Regularly clean the power tool's air vents.** The motor's fan will draw the dust inside the housing and excessive accumulation of powdered metal may cause electrical hazards.
- ▶ **Do not operate the power tool near flammable materials.** Sparks could ignite these materials.
- ▶ **Do not use accessories that require liquid coolants.** Using water or other liquid coolants may result in electrocution or shock.

### Kickback and related warnings

- ▶ Kickback is a sudden reaction to a pinched or snagged rotating wheel, backing pad, brush or any other accessory. Pinching or snagging causes rapid stalling of the rotating accessory which in turn causes the uncontrolled power tool to be forced in the direction opposite of the accessory's rotation at the point of the binding.  
For example, if an abrasive wheel is snagged or pinched by the workpiece, the edge of the wheel that is entering into the pinch point can dig into the surface of the material causing the wheel to climb out or kick out. The wheel may either jump toward or away from the operator, depending on direction of the wheel's movement at the point of pinching. Abrasive wheels may also break under these conditions.  
Kickback is the result of power tool misuse and/or incorrect operating procedures or conditions and can be avoided by taking proper precautions as given below.
- ▶ **Maintain a firm grip on the power tool and position your body and arm to allow you to resist kickback forces. Always use auxiliary handle, if provided, for maximum control over kickback or torque reaction during start-up.** The operator can control torque reactions or kickback forces, if proper precautions are taken.
- ▶ **Never place your hand near the rotating accessory.** Accessory may kickback over your hand.
- ▶ **Do not position your body in the area where power tool will move if kickback occurs.** Kickback will propel the tool in direction opposite to the wheel's movement at the point of snagging.
- ▶ **Use special care when working corners, sharp edges, etc. Avoid bouncing and snagging the accessory.** Corners, sharp edges or bouncing have a tendency to snag the rotating accessory and cause loss of control or kickback.
- ▶ **Do not attach a saw chain woodcarving blade or toothed saw blade.** Such blades create frequent kickback and loss of control.

### Safety warnings specific for Grinding and Abrasive Cutting-Off operations

- ▶ **Use only wheel types that are recommended for your power tool and the specific guard designed for the selected wheel.** Wheels for which the power tool was not designed cannot be adequately guarded and are unsafe.
- ▶ **The grinding surface of the centre depressed wheels must be mounted below the plane of the guard lip.** An improperly mounted wheel that projects through the plane of the guard lip cannot be adequately protected.

- ▶ **The guard must be securely attached to the power tool and positioned for maximum safety, so the least amount of wheel is exposed towards the operator.** The guard helps to protect operator from broken wheel fragments, accidental contact with wheel and sparks that could ignite clothing.
- ▶ **Wheels must be used only for recommended applications. For example: do not grind with the side of the cut-off wheel.** Abrasive cut-off wheels are intended for peripheral grinding; side forces applied to these wheels may cause them to shatter.
- ▶ **Always use undamaged wheel flanges that are of correct size and shape for your selected wheel.** Proper wheel flanges support the wheel thus reducing the possibility of wheel breakage. Flanges for cut-off wheels may be different from grinding wheel flanges.
- ▶ **Do not use worn down reinforced wheels from larger power tools.** Wheels intended for larger power tools are not suitable for the higher speed of a smaller tool and may burst.

### Additional safety warnings specific for abrasive cutting off operations

- ▶ **Do not "jam" the cut-off wheel or apply excessive pressure. Do not attempt to make an excessive depth of cut.** Overstressing the wheel increases the loading and susceptibility to twisting or binding of the wheel in the cut and the possibility of kickback or wheel breakage.
- ▶ **Do not position your body in line with and behind the rotating wheel.** When the wheel, at the point of operation, is moving away from your body, the possible kickback may propel the spinning wheel and the power tool directly at you.
- ▶ **When wheel is binding or when interrupting a cut for any reason, switch off the power tool and hold the power tool motionless until the wheel comes to a complete stop. Never attempt to remove the cut-off wheel from the cut while the wheel is in motion otherwise kickback may occur.** Investigate and take corrective action to eliminate the cause of wheel binding.
- ▶ **Do not restart the cutting operation in the workpiece. Let the wheel reach full speed and carefully re-enter the cut.** The wheel may bind, walk up or kickback if the power tool is restarted in the workpiece.
- ▶ **Support panels or any oversized workpiece to minimize the risk of wheel pinching and kickback.** Large workpieces tend to sag under their own weight. Supports must be placed under the workpiece near the line of cut and near the edge of the workpiece on both sides of the wheel.
- ▶ **Use extra caution when making a "pocket cut" into existing walls or other blind areas.** The protruding wheel may cut gas or water pipes, electrical wiring or objects that can cause kickback.





## 14 | English

**Safety warnings specific for sanding operations**

- ▶ **Do not use excessively oversized sanding disc paper. Follow manufacturers recommendations, when selecting sanding paper.** Larger sanding paper extending beyond the sanding pad presents a laceration hazard and may cause snagging, tearing of the disc, or kickback.

**Safety warnings specific for wire brushing operations**

- ▶ **Be aware that wire bristles are thrown by the brush even during ordinary operation. Do not overstress the wires by applying excessive load to the brush.** The wire bristles can easily penetrate light clothing and/or skin.
- ▶ **If the use of a guard is recommended for wire brushing, do not allow any interference of the wire wheel or brush with the guard.** Wire wheel or brush may expand in diameter due to work load and centrifugal forces.

**Additional Safety and Working Instructions**

- ▶ **Observe the mains voltage! The voltage of the power source must correspond with the data on the type plate of the machine.**
- ▶ **Use suitable detectors to determine if utility lines are hidden in the work area or call the local utility company for assistance.** Contact with electric lines can lead to fire and electric shock. Damaging a gas line can lead to explosion. Penetrating a water line causes property damage or may cause an electric shock.
- ▶ **Release the On/Off switch and set it to the off position when the power supply is interrupted, e. g., in case of a power failure or when the mains plug is pulled.**
- ▶ **Dust from materials such as lead-containing coatings, some wood types, minerals and metal can be harmful to one's health and cause allergic reactions, lead to respiratory infections and/or cancer.** Materials containing asbestos may only be worked by specialists.
  - As far as possible, use a dust extraction system suitable for the material.
  - Provide for good ventilation of the working place.
  - It is recommended to wear a P2 filter-class respirator. Observe the relevant regulations in your country for the materials to be worked.
- ▶ **Prevent dust accumulation at the workplace.** Dust can easily ignite.
- ▶ **Secure the workpiece.** A workpiece clamped with clamping devices or in a vice is held more secure than by hand.
- ▶ After breakage of the grinding disc during operation or damage to the holding fixtures on the protection guard/power tool, the machine must promptly be sent to an after-sales service agent for maintenance. For addresses, see section "After-sales Service and Application Service".
- ▶ **Adjust protection guard in such a manner that sparking toward the operator is prevented.**

- ▶ **The protection guard may only be turned while actuating the release lever on the gear head. Otherwise, the machine may not continue to be used anymore and must be sent to an after-sales service agent.**
- ▶ **Do not touch grinding and cutting discs before they have cooled down.** The discs can become very hot while working.
- ▶ **Actuate the spindle lock button only when the grinder spindle is at a standstill.** Otherwise, the machine may become damaged.
- ▶ **After mounting the grinding tool and before switching on, check that the grinding tool is correctly mounted and that it can turn freely. Make sure that the grinding tool does not graze against the protection guard or other parts.**
- ▶ When operating the machine with power from mobile generators, loss of performance or untypical behavior can occur upon switching on.
- ▶ **By applying too high application force, the machine can be subject to overload. Overload can lead to overheating and damage of the power tool. After heavily straining the power tool, continue to run it at no-load for several minutes in order to cool it down.**
- ▶ **Do not use the power tool with a cut-off stand.**
- ▶ **Never use a cutting disc for roughing.**
- ▶ **The quick-clamping nut may be used only for grinding or cutting discs. Use only a flawless, undamaged quick-clamping nut.**
- ▶ **Do not pull out the gear head while turning it – see figure 12, page 280.**
- ▶ To save energy, only switch the power tool on when using it.
- ▶ **For operations with the rubber sanding plate or with the cup brush/wheel brush/flap disc, always mount the hand guard .**
- ▶ **For cutting with bonded abrasives, always use a protection guard for cutting.**
- ▶ **Provide for sufficient dust extraction when cutting stone.**
- ▶ **Wear a dust respirator.**
- ▶ **Products sold in GB only:** Your product is fitted with a BS 1363/A approved electric plug with internal fuse (ASTA approved to BS 1362). If the plug is not suitable for your socket outlets, it should be cut off and an appropriate plug fitted in its place by an authorised customer service agent. The replacement plug should have the same fuse rating as the original plug. The severed plug must be disposed of to avoid a possible shock hazard and should never be inserted into a mains socket elsewhere.
- ▶ **Products sold in AUS and NZ only:** Use a residual current device (RCD) with a rated residual current of 30 mA or less.



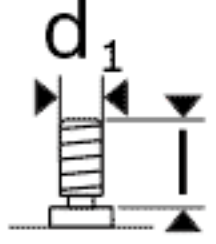
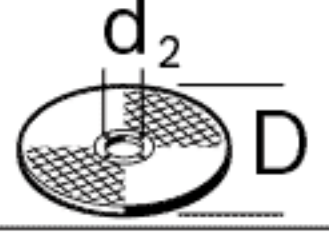
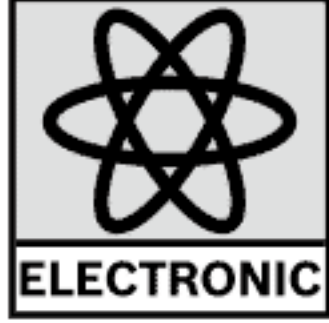



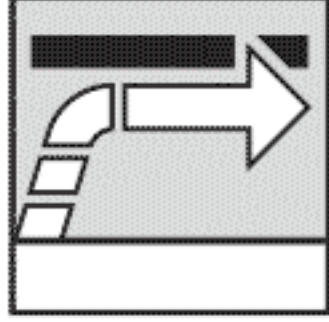
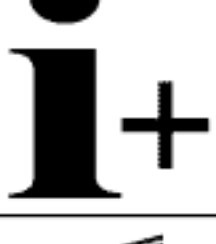
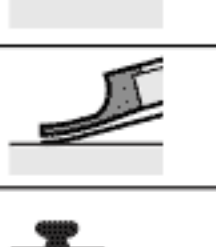
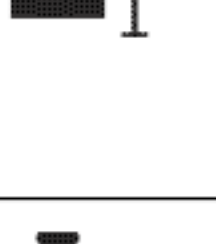
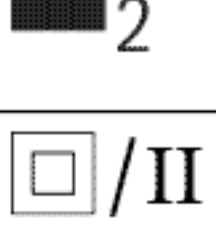
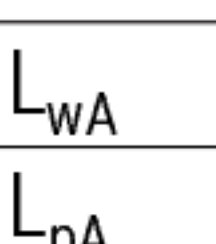
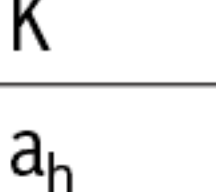




## Symbols

The following symbols are important for reading and understanding the operating instructions. Please take note of the symbols and their meaning. The correct interpretation of the symbols will help you to use the machine in a better and safer manner.

Symbol	Meaning
	Article number
	Read all safety warnings and all instructions
	Before any work on the machine itself, pull the mains plug from the socket outlet
	Wear protective gloves
	Always wear ear protection.
	Wear safety glasses/goggles
	Movement direction
	Apply strength for the workstep.
	Low speed
	High speed
	Switching On
	Switching Off
	On/Off switch lock-on
	Releasing the lock-on function of the On/Off switch
	Prohibited action

Symbol	Meaning
	Permitted action
	Next step of action
$P_1$	Rated power input
$P_2$	Output power
$n$	Rated speed
$n_v$	Speed control adjustment
	$l$ = Grinder spindle length $d_1$ = Grinder spindle diameter
	$D$ = Max. grinding disc diameter $d_2$ = Inner disc diameter
	Speed preselection
	Constant Electronic Control
	Kickback stop
	Restarting Protection The restarting protection feature prevents uncontrolled restarting of the machine after an interruption in the power supply. To <b>restart the operation</b> , switch the On/Off switch to the Off position and start the machine again.
	Reduced starting current
	Additional information
	Surface grinding
	Grinding/sanding with sanding sheet
	Weight according to EPTA-Procedure 01:2014 with vibration-damping auxiliary handle
	Weight according to EPTA-Procedure 01:2014 with standard-auxiliary handle
	Symbol for protection class II (completely insulated)
$L_{wA}$	Sound power level
$L_{pA}$	Sound pressure level
$K$	Uncertainty
$a_h$	Vibration total value



## Delivery Scope

Angle grinder, protection guard, auxiliary handle.  
Special protection guards, application tools and other accessories shown or described are not part of the standard delivery scope.

A complete overview of accessories can be found in our accessories program.

## Intended Use

The machine is intended for roughing metal, stone and ceramic materials and for drilling tiles.

For cutting with bonded abrasives, a special cutting guard (accessory) must be used.

When cutting in stone, provide for sufficient dust extraction. Together with the hand guard (accessory), the machine can be used for brushing and grinding/sanding with elastic sanding plates.

The machine is suitable only for working without water.

## Technical Data

The technical data of the machine are listed in the table on page 262 – 264.

The values given are valid for a nominal voltage [U] of 230 V. For different voltages and models for specific countries, these values can vary.

Please observe the article number on the type plate of your machine. The trade names of the individual machines may vary.

## Noise/Vibration Information

The measured values of the machine are listed in the table on page 262 – 264.

Sound emission values determined according to EN 60745-2-3.

Vibration total values  $a_h$  (triax vector sum) and uncertainty K determined according to EN 60745-2-3.

The vibration level given in this information sheet has been measured in accordance with a standardised test given in EN 60745 and may be used to compare one tool with another. It may be used for a preliminary assessment of exposure. The declared vibration emission level represents the main applications of the tool. However if the tool is used for different applications, with different accessories or insertion tools or is poorly maintained, the vibration emission may differ. This may significantly increase the exposure level over the total working period.

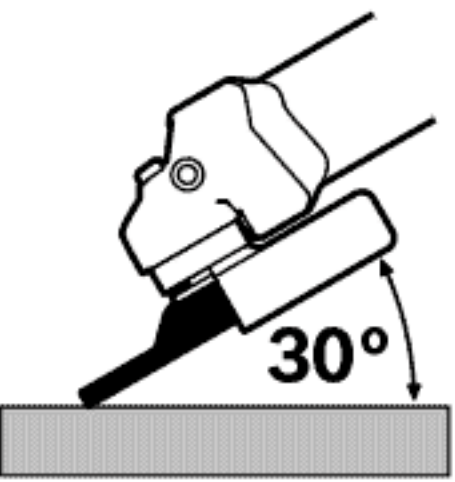

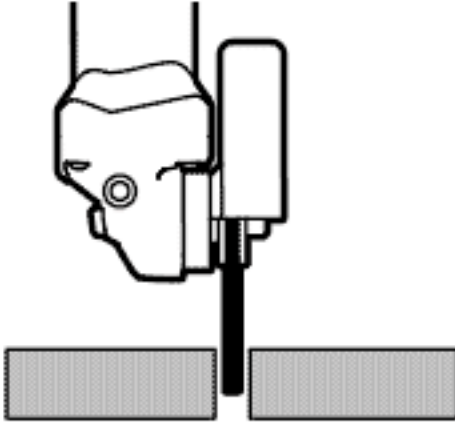

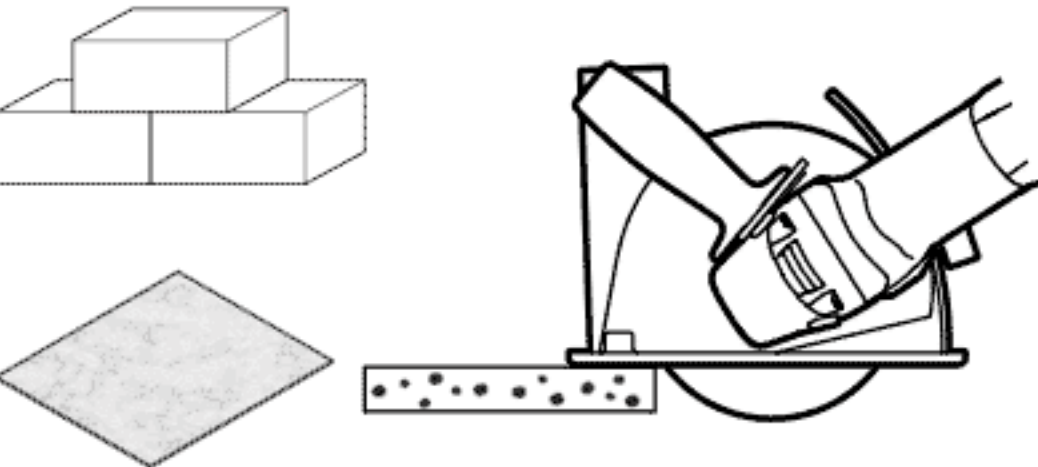

An estimation of the level of exposure to vibration should also take into account the times when the tool is switched off or when it is running but not actually doing the job. This may significantly reduce the exposure level over the total working period.

Identify additional safety measures to protect the operator from the effects of vibration such as: maintain the tool and the accessories, keep the hands warm, organisation of work patterns.








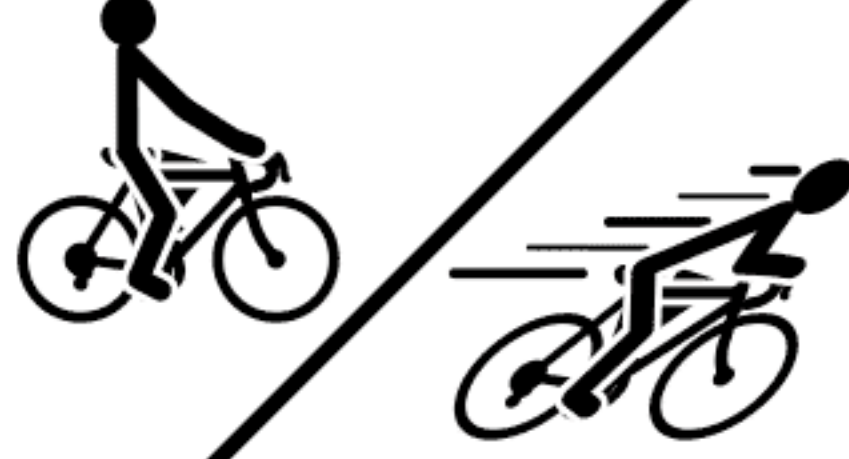




## Mounting and Operation

The following table indicates the action objectives for mounting and operation of the power tool. The instructions for each action objective are shown aside. Depending on the type of application, various instruction combinations are required. Observe the safety instructions.

Action	Figure	Please observe	Page
Grinding, preparation			265 – 266
Cutting, preparation			267 – 268
Cutting stone, brick and tiles, preparation (recommendation)			269 – 270


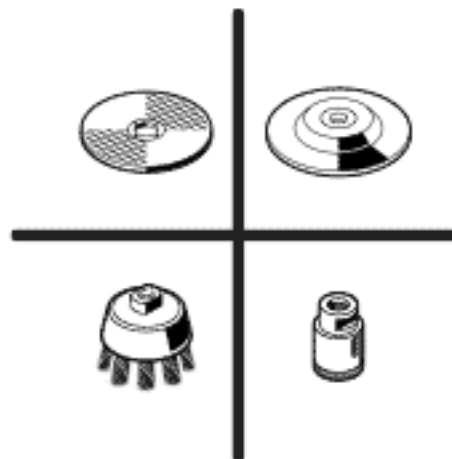


Action	Figure	Please observe	Page
Sanding with extraction hood, preparation	4		271 - 272
Removing paint, preparation	5		273
Removing rust, preparation	6		274
Drilling tiles, preparation	7		275
Mounting the quick-clamping nut	8		275 - 276
Dismounting the quick-clamping nut	9		276
Switching On and Off	10		276
Adjusting the speed preselection	11		277
Rotating the Machine Head	12		278
Working effectively with the angle grinder	13		279





18 | English

Action	Figure	Please observe	Page
Grey-marked area: Handle (insulated gripping surface)			279
Selecting the admissible grinding tool			280
Selecting Accessories	-		281 – 283

## Maintenance and Cleaning

- **For safe and proper working, always keep the machine and ventilation slots clean.**

**In extreme conditions, always use dust extraction as far as possible. Blow out ventilation slots frequently and install a portable residual current device (PRCD).** When working metals, conductive dust can settle in the interior of the power tool. The total insulation of the power tool can be impaired.

Please store and handle the accessory(-ies) carefully.

If the replacement of the supply cord is necessary, this has to be done by Bosch or an authorized Bosch service agent in order to avoid a safety hazard.

## After-sales Service and Application Service

Our after-sales service responds to your questions concerning maintenance and repair of your product as well as spare parts. Exploded views and information on spare parts can also be found under:

**[www.bosch-pt.com](http://www.bosch-pt.com)**

Bosch's application service team will gladly answer questions concerning our products and their accessories.

In all correspondence and spare parts orders, please always include the 10-digit article number given on the nameplate of the product.

### Great Britain

Robert Bosch Ltd. (B.S.C.)  
P.O. Box 98  
Broadwater Park  
North Orbital Road  
Denham  
Uxbridge  
UB 9 5HJ

At [www.bosch-pt.co.uk](http://www.bosch-pt.co.uk) you can order spare parts or arrange the collection of a product in need of servicing or repair.

Tel. Service: (0344) 7360109

E-Mail: [boschservicecentre@bosch.com](mailto:boschservicecentre@bosch.com)

### Ireland

Origo Ltd.  
Unit 23 Magna Drive  
Magna Business Park  
City West  
Dublin 24  
Tel. Service: (01) 4666700  
Fax: (01) 4666888

### Australia, New Zealand and Pacific Islands

Robert Bosch Australia Pty. Ltd.  
Power Tools  
Locked Bag 66  
Clayton South VIC 3169  
Customer Contact Center  
Inside Australia:  
Phone: (01300) 307044  
Fax: (01300) 307045  
Inside New Zealand:  
Phone: (0800) 543353  
Fax: (0800) 428570  
Outside AU and NZ:  
Phone: +61 3 95415555  
[www.bosch.com.au](http://www.bosch.com.au)

### Republic of South Africa

#### Customer service

Hotline: (011) 6519600

#### Gauteng – BSC Service Centre

35 Roper Street, New Centre  
Johannesburg  
Tel.: (011) 4939375  
Fax: (011) 4930126  
E-Mail: [bsctools@icon.co.za](mailto:bsctools@icon.co.za)

#### KZN – BSC Service Centre

Unit E, Almar Centre  
143 Crompton Street  
Pinetown  
Tel.: (031) 7012120  
Fax: (031) 7012446  
E-Mail: [bsc.dur@za.bosch.com](mailto:bsc.dur@za.bosch.com)



**Western Cape – BSC Service Centre**

Democracy Way, Prosperity Park  
Milnerton  
Tel.: (021) 5512577  
Fax: (021) 5513223  
E-Mail: bsc@zsd.co.za

**Bosch Headquarters**

Midrand, Gauteng  
Tel.: (011) 6519600  
Fax: (011) 6519880  
E-Mail: rbsa-hq.pts@za.bosch.com

**Disposal**

The machine, accessories and packaging should be sorted for environmental-friendly recycling.

Do not dispose of power tools into household waste!

**Only for EC countries:**

According to the European Directive 2012/19/EU for Waste Electrical and Electronic Equipment and its implementation into national right, power tools that are no longer usable must be collected separately and disposed of in an environmentally correct manner.

Subject to change without notice.

**Français****Avertissements de sécurité généraux pour l'outil**

**⚠ AVERTISSEMENT** Lire tous les avertissements de sécurité et toutes les instructions. Ne pas suivre les avertissements et instructions peut donner lieu à un choc électrique, un incendie et/ou une blessure sérieuse.

**Conserver tous les avertissements et toutes les instructions pour pouvoir s'y reporter ultérieurement.**

Le terme « outil » dans les avertissements fait référence à votre outil électrique alimenté par le secteur (avec cordon d'alimentation) ou votre outil fonctionnant sur batterie (sans cordon d'alimentation).

**Sécurité de la zone de travail**

- ▶ **Conserver la zone de travail propre et bien éclairée.** Les zones en désordre ou sombres sont propices aux accidents.
- ▶ **Ne pas faire fonctionner les outils électriques en atmosphère explosive, par exemple en présence de liquides inflammables, de gaz ou de poussières.** Les outils électriques produisent des étincelles qui peuvent enflammer les poussières ou les fumées.

- ▶ **Maintenir les enfants et les personnes présentes à l'écart pendant l'utilisation de l'outil.** Les distractions peuvent vous faire perdre le contrôle de l'outil.

**Sécurité électrique**

- ▶ **Il faut que les fiches de l'outil électrique soient adaptées au socle. Ne jamais modifier la fiche de quelque façon que ce soit. Ne pas utiliser d'adaptateurs avec des outils à branchement de terre.** Des fiches non modifiées et des socles adaptés réduiront le risque de choc électrique.
- ▶ **Eviter tout contact du corps avec des surfaces reliées à la terre telles que les tuyaux, les radiateurs, les cuisinières et les réfrigérateurs.** Il existe un risque accru de choc électrique si votre corps est relié à la terre.
- ▶ **Ne pas exposer les outils à la pluie ou à des conditions humides.** La pénétration d'eau à l'intérieur d'un outil augmentera le risque de choc électrique.
- ▶ **Ne pas maltraiter le cordon. Ne jamais utiliser le cordon pour porter, tirer ou débrancher l'outil. Maintenir le cordon à l'écart de la chaleur, du lubrifiant, des arêtes ou des parties en mouvement.** Les cordons endommagés ou emmêlés augmentent le risque de choc électrique.
- ▶ **Lorsqu'on utilise un outil à l'extérieur, utiliser un prolongateur adapté à l'utilisation extérieure.** L'utilisation d'un cordon adapté à l'utilisation extérieure réduit le risque de choc électrique.
- ▶ **Si l'usage d'un outil dans un emplacement humide est inévitable, utiliser une alimentation protégée par un dispositif à courant différentiel résiduel (RCD).** L'usage d'un RCD réduit le risque de choc électrique.

**Sécurité des personnes**

- ▶ **Rester vigilant, regarder ce que vous êtes en train de faire et faire preuve de bon sens dans l'utilisation de l'outil. Ne pas utiliser un outil lorsque vous êtes fatigué ou sous l'emprise de drogues, d'alcool ou de médicaments.** Un moment d'inattention en cours d'utilisation d'un outil peut entraîner des blessures graves des personnes.
- ▶ **Utiliser un équipement de sécurité. Toujours porter une protection pour les yeux.** Les équipements de sécurité tels que les masques contre les poussières, les chaussures de sécurité antidérapantes, les casques ou les protections acoustiques utilisés pour les conditions appropriées réduiront les blessures des personnes.
- ▶ **Eviter tout démarrage intempestif. S'assurer que l'interrupteur est en position arrêt avant de brancher l'outil au secteur et/ou au bloc de batteries, de le ramasser ou de le porter.** Porter les outils en ayant le doigt sur l'interrupteur ou brancher des outils dont l'interrupteur est en position marche est source d'accidents.
- ▶ **Retirer toute clé de réglage avant de mettre l'outil en marche.** Une clé laissée fixée sur une partie tournante de l'outil peut donner lieu à des blessures de personnes.





## Vevőszolgálat és használati tanácsadás

A Vevőszolgálat választ ad a termékének javításával és karbantartásával, valamint a pótalkatrészekkel kapcsolatos kérdéseire. A tartalékalkatrészekkel kapcsolatos robbantott ábrák és egyéb információk a címen találhatóak:

**www.bosch-pt.com**

A Bosch Használati Tanácsadó Team szívesen segít, ha termékeinkkel és azok tartozékaival kapcsolatos kérdései vannak.

Ha kérdései vannak vagy pótalkatrészeket szeretne rendelni, okvetlenül adja meg a termék típusábláján található 10-jegyű cikkszámot.

### Magyarország

Robert Bosch Kft.

1103 Budapest

Gyömrői út. 120.

A [www.bosch-pt.hu](http://www.bosch-pt.hu) oldalon online megrendelheti készülékének javítását.

Tel.: (061) 431-3835

Fax: (061) 431-3888

## Hulladékkezelés

Az elektromos kéziszerszámokat, a tartozékokat és a csomagolást a környezetvédelmi szempontoknak megfelelően kell újrafelhasználásra előkészíteni.

Ne dobja ki az elektromos kéziszerszámokat a háztartási szemétkosárba!

### Csak az EU-tagországok számára:



A használt villamos és elektronikus berendezésekre vonatkozó 2012/19/EU sz. Európai Irányelvnek és ennek a megfelelő országok jogharmonizációjának megfelelően a már használhatatlan elektromos kéziszerszámokat külön össze kell gyűjteni és a környezetvédelmi szempontból megfelelő újra felhasználásra le kell adni.

### A változtatások joga fenntartva.

## Русский

В состав эксплуатационных документов, предусмотренных изготовителем для продукции, могут входить настоящее руководство по эксплуатации, а также приложения. Информация о подтверждении соответствия содержится в приложении.

Информация о стране происхождения указана на корпусе изделия и в приложении.

Дата изготовления указана на последней странице обложки Руководства.

Контактная информация относительно импортера содержится на упаковке.

### Срок службы изделия

Срок службы изделия составляет 7 лет. Не рекомендуется к эксплуатации по истечении 5 лет хранения с даты изготовления без предварительной проверки (дату изготовления см. на этикетке).

### Перечень критических отказов и ошибочные действия персонала или пользователя

- не использовать с поврежденной рукояткой или поврежденным защитным кожухом
- не использовать при появлении дыма непосредственно из корпуса изделия
- не использовать с перебитым или оголенным электрическим кабелем
- не использовать на открытом пространстве во время дождя (в распыляемой воде)
- не включать при попадании воды в корпус
- не использовать при сильном искрении
- не использовать при появлении сильной вибрации

### Критерии предельных состояний

- перетёрт или повреждён электрический кабель
- поврежден корпус изделия

### Тип и периодичность технического обслуживания

Рекомендуется очистить инструмент от пыли после каждого использования.

### Хранение

- необходимо хранить в сухом месте
- необходимо хранить вдали от источников повышенных температур и воздействия солнечных лучей
- при хранении необходимо избегать резкого перепада температур
- хранение без упаковки не допускается
- подробные требования к условиям хранения смотрите в ГОСТ 15150 (Условие 1)

### Транспортировка

- категорически не допускается падение и любые механические воздействия на упаковку при транспортировке
- при разгрузке/погрузке не допускается использование любого вида техники, работающей по принципу зажима упаковки
- подробные требования к условиям транспортировки смотрите в ГОСТ 15150 (Условие 5)





## Общие указания по технике безопасности для электроинструментов

### ПРЕДУПРЕЖДЕНИЕ Прочтите все указания и инструкции по технике

**безопасности.** Несоблюдение указаний и инструкций по технике безопасности может стать причиной поражения электрическим током, пожара и тяжелых травм.

**Сохраняйте эти инструкции и указания для будущего использования.**

Использованное в настоящих инструкциях и указаниях понятие «электроинструмент» распространяется на электроинструмент с питанием от сети (с сетевым шнуром) и на аккумуляторный электроинструмент (без сетевого шнура).

### Безопасность рабочего места

- ▶ **Содержите рабочее место в чистоте и хорошо освещенным.** Беспорядок или неосвещенные участки рабочего места могут привести к несчастным случаям.
- ▶ **Не работайте с этим электроинструментом во взрывоопасном помещении, в котором находятся горючие жидкости, воспламеняющиеся газы или пыль.** Электроинструменты искрят, что может привести к воспламенению пыли или паров.
- ▶ **Во время работы с электроинструментом не допускайте близко к Вашему рабочему месту детей и посторонних лиц.** Отвлечись, Вы можете потерять контроль над электроинструментом.

### Электробезопасность

- ▶ **Штепсельная вилка электроинструмента должна подходить к штепсельной розетке. Ни в коем случае не изменяйте штепсельную вилку. Не применяйте переходные штекеры для электроинструментов с защитным заземлением.** Неизменные штепсельные вилки и подходящие штепсельные розетки снижают риск поражения электротоком.
- ▶ **Предотвращайте телесный контакт с заземленными поверхностями, как то: с трубами, элементами отопления, кухонными плитами и холодильниками.** При заземлении Вашего тела повышается риск поражения электротоком.
- ▶ **Защищайте электроинструмент от дождя и сырости.** Проникновение воды в электроинструмент повышает риск поражения электротоком.
- ▶ **Не разрешается использовать шнур не по назначению, например, для транспортировки или подвески электроинструмента, или для вытягивания вилки из штепсельной розетки. Защищайте шнур от воздействия высоких температур, масла, острых кромок или подвижных частей электроинструмента.** Поврежденный или спутанный шнур повышает риск поражения электротоком.

- ▶ **При работе с электроинструментом под открытым небом применяйте пригодные для этого кабели-удлинители.** Применение пригодного для работы под открытым небом кабеля-удлинителя снижает риск поражения электротоком.
- ▶ **Если невозможно избежать применения электроинструмента в сыром помещении, подключайте электроинструмент через устройство защитного отключения.** Применение устройства защитного отключения снижает риск электрического поражения.

### Безопасность людей

- ▶ **Будьте внимательными, следите за тем, что Вы делаете, и продуманно начинайте работу с электроинструментом. Не пользуйтесь электроинструментом в усталом состоянии или если Вы находитесь в состоянии наркотического или алкогольного опьянения или под воздействием лекарств.** Один момент невнимательности при работе с электроинструментом может привести к серьезным травмам.
- ▶ **Применяйте средства индивидуальной защиты и всегда защитные очки.** Использование средств индивидуальной защиты, как то: защитной маски, обуви на нескользящей подошве, защитного шлема или средств защиты органов слуха, – в зависимости от вида работы с электроинструментом снижает риск получения травм.
- ▶ **Предотвращайте непреднамеренное включение электроинструмента. Перед подключением электроинструмента к электропитанию и/или к аккумулятору убедитесь в выключенном состоянии электроинструмента.** Удержание пальца на выключателе при транспортировке электроинструмента и подключение к сети питания включенного электроинструмента чревато несчастными случаями.
- ▶ **Убирайте установочный инструмент или гаечные ключи до включения электроинструмента.** Инструмент или ключ, находящийся во вращающейся части электроинструмента, может привести к травмам.
- ▶ **Не принимайте неестественное положение корпуса тела. Всегда занимайте устойчивое положение и сохраняйте равновесие.** Благодаря этому Вы можете лучше контролировать электроинструмент в неожиданных ситуациях.
- ▶ **Носите подходящую рабочую одежду. Не носите широкую одежду и украшения. Держите волосы, одежду и рукавицы вдали от движущихся частей.** Широкая одежда, украшения или длинные волосы могут быть затянуты вращающимися частями.
- ▶ **При наличии возможности установки пылеотсасывающих и пылесборных устройств проверяйте их присоединение и правильное использование.** Применение пылеотсоса может снизить опасность, создаваемую пылью.





- ▶ **ВНИМАНИЕ!** В случае возникновения перебоя в работе электроинструмента вследствие полного или частичного прекращения энергоснабжения или повреждения цепи управления энергоснабжением установите выключатель в положение Выкл., убедившись, что он не заблокирован (при его наличии). Отключите сетевую вилку от розетки или отсоедините съёмный аккумулятор. Этим предотвращается неконтролируемый повторный запуск.

### Применение электроинструмента и обращение с ним

- ▶ **Не перегружайте электроинструмент. Используйте для Вашей работы предназначенный для этого электроинструмент.** С подходящим электроинструментом Вы работаете лучше и надежнее в указанном диапазоне мощности.
- ▶ **Не работайте с электроинструментом при неисправном выключателе.** Электроинструмент, который не поддается включению или выключению, опасен и должен быть отремонтирован.
- ▶ **До начала наладки электроинструмента, перед заменой принадлежностей и прекращением работы отключайте штепсельную вилку от розетки сети и/или выньте аккумулятор.** Эта мера предосторожности предотвращает непреднамеренное включение электроинструмента.
- ▶ **Храните электроинструменты в недоступном для детей месте. Не разрешайте пользоваться электроинструментом лицам, которые не знакомы с ним или не читали настоящих инструкций.** Электроинструменты опасны в руках неопытных лиц.
- ▶ **Тщательно ухаживайте за электроинструментом. Проверяйте безупречную функцию и ход движущихся частей электроинструмента, отсутствие поломок или повреждений, отрицательно влияющих на функцию электроинструмента. Поврежденные части должны быть отремонтированы до использования электроинструмента.** Плохое обслуживание электроинструментов является причиной большого числа несчастных случаев.
- ▶ **Держите режущий инструмент в заточенном и чистом состоянии.** Заботливо ухоженные режущие инструменты с острыми режущими кромками режут легче и их легче вести.
- ▶ **Применяйте электроинструмент, принадлежности, рабочие инструменты и т. п. в соответствии с настоящими инструкциями. Учитывайте при этом рабочие условия и выполняемую работу.** Использование электроинструментов для непредусмотренных работ может привести к опасным ситуациям.

### Сервис

- ▶ **Ремонт Вашего электроинструмента поручайте только квалифицированному персоналу и только с применением оригинальных запасных частей.** Этим обеспечивается безопасность электроинструмента.

## Указания по технике безопасности для угловых шлифмашин

### Общие предупреждающие указания по шлифованию, шлифованию наждачной бумагой, для работ с проволочными щетками и отрезными шлифовальными кругами

- ▶ **Настоящий электроинструмент предназначен для применения в качестве машины для шлифования абразивными кругами, наждачной бумагой, для работ с проволочной щеткой и в качестве отрезной шлифовальной машины. Учитывайте все предупреждающие указания, инструкции, иллюстрации и данные, которые Вы получите с электроинструментом.** Несоблюдение нижеследующих указаний может привести к поражению электротоком, пожару и/или тяжелым травмам.
- ▶ **Настоящий электроинструмент не пригоден для полирования.** Выполнение работ, для которых настоящий электроинструмент не предусмотрен, может стать причиной опасностей и травм.
- ▶ **Не применяйте принадлежности, которые не предусмотрены изготовителем специально для настоящего электроинструмента и не рекомендуются им.** Одна только возможность крепления принадлежностей на Вашем электроинструменте не гарантирует еще их надежное применение.
- ▶ **Допустимое число оборотов рабочего инструмента должно быть не менее указанного на электроинструменте максимального числа оборотов.** Оснастка, вращающаяся с большей, чем допустимо скоростью, может разорваться и разлететься в пространстве.
- ▶ **Наружный диаметр и толщина рабочего инструмента должны соответствовать размерам Вашего электроинструмента.** Неправильно соразмеренные рабочие инструменты не могут быть в достаточной степени защищены и могут выйти из-под контроля.
- ▶ **Сменные рабочие инструменты с резьбой должны точно подходить к резьбе шлифовального шпинделя. В сменных рабочих инструментах, монтируемых с помощью фланца, диаметр отверстий рабочего инструмента должен подходить к диаметру отверстий во фланце.** Сменные рабочие инструменты, которые не точно крепятся на электроинструменте, вращаются неравномерно, очень сильно вибрируют и могут выйти из-под контроля.
- ▶ **Не применяйте поврежденные рабочие инструменты. Проверяйте каждый раз перед использованием рабочие инструменты, как то, шлифовальные круги, на сколы и трещины, шлифовальные тарелки на трещины, риски или сильный износ, проволочные щетки на незакрепленные или поломанные проволоки.** После проверки и закрепления рабочего инструмента Вы и все находящиеся вблизи лица должны занять положение за пределами плоскости вращения рабочего инструмента, после чего включите электроинструмент на одну минуту на максималь-





**ное число оборотов.** Поврежденные рабочие инструменты разрываются в большинстве случаев за это время контроля.

- ▶ **Применяйте средства индивидуальной защиты. В зависимости от выполняемой работы применяйте защитный щиток для лица, защитное средство для глаз или защитные очки. Насколько уместно, применяйте противопылевой респиратор, средства защиты органов слуха, защитные перчатки или специальный фартук, которые защищают Вас от абразивных частиц и частиц материала.** Глаза должны быть защищены от летающих в воздухе посторонних частиц, которые могут образовываться при выполнении различных работ. Противопылевой респиратор или защитная маска органов дыхания должны задерживать образующуюся при работе пыль. Продолжительное воздействие сильного шума может привести к потере слуха.
- ▶ **Следите за тем, чтобы все лица находились на безопасном расстоянии от рабочего участка. Каждое лицо в пределах рабочего участка должно иметь средства индивидуальной защиты.** Осколки детали или разорванных рабочих инструментов могут отлететь в сторону и стать причиной травм также и за пределами непосредственного рабочего участка.
- ▶ **Держите электроинструмент только за изолированные поверхности рукояток, если Вы выполняете работы, при которых рабочий инструмент может попасть на скрытую электропроводку или на собственный сетевой шнур.** Контакт с проводкой под напряжением может зарядить металлические части электроинструмента и привести к поражению электротоком.
- ▶ **Держите шнур питания в стороне от вращающегося рабочего инструмента.** Если Вы потеряете контроль над инструментом, то шнур питания может быть перерезан или захвачен вращающимся рабочим инструментом и Ваша кисть или рука может попасть под вращающийся рабочий инструмент.
- ▶ **Никогда не выпускайте электроинструмент из рук, пока рабочий инструмент полностью не остановится.** Вращающийся рабочий инструмент может зацепиться за опорную поверхность и в результате Вы можете потерять контроль над электроинструментом.
- ▶ **Выключайте электроинструмент при транспортировке.** Ваша одежда может быть случайно захвачена вращающимся рабочим инструментом, и рабочий инструмент может нанести Вам травму.
- ▶ **Регулярно очищайте вентиляционные прорези Вашего электроинструмента.** Вентилятор двигателя затягивает пыль в корпус, и большое скопление металлической пыли может привести к электрической опасности.
- ▶ **Не пользуйтесь электроинструментом вблизи горючих материалов.** Искры могут воспламенить эти материалы.
- ▶ **Не применяйте рабочие инструменты, требующие применение охлаждающих жидкостей.** Применение воды или других охлаждающих жидкостей может привести к поражению электротоком.

### Обратный удар и соответствующие предупреждающие указания

- ▶ Обратный удар – это внезапная реакция в результате заедания или блокирования вращающегося рабочего инструмента, как то, шлифовального круга, шлифовальной тарелки, проволочной щетки и т.д., ведущая к резкому останову вращающегося рабочего инструмента. При этом неконтролируемый электроинструмент ускоряется на месте блокировки против направления вращения рабочего инструмента. Если шлифовальный круг заедает или блокируется в заготовке, то погруженная в заготовку кромка шлифовального круга может быть зажата и в результате привести к выскакиванию круга из заготовки или к обратному удару. При этом шлифовальный круг движется на оператора или от него, в зависимости от направления вращения круга на месте блокирования. При этом шлифовальный круг может сломаться. Обратный удар является следствием неправильного использования электроинструмента или ошибки оператора. Он может быть предотвращен описанными ниже мерами предосторожности.
- ▶ **Крепко держите электроинструмент, Ваше тело и руки должны занять положение, в котором Вы можете противодействовать обратным силам. При наличии, всегда применяйте дополнительную рукоятку, чтобы как можно лучше противодействовать обратным силам или реакционным моментам при наборе оборотов.** Оператор может подходящими мерами предосторожности противодействовать силам обратного удара и реакционным силам.
- ▶ **Ваша рука никогда не должна быть вблизи вращающегося рабочего инструмента.** При обратном ударе рабочий инструмент может отскочить Вам на руку.
- ▶ **Держитесь в стороне от участка, куда при обратном ударе будет перемещаться электроинструмент.** Обратный удар перемещает электроинструмент в противоположном направлении к движению шлифовального круга в месте блокирования.
- ▶ **Особенно осторожно работайте на углах, острых кромках и т. д. Предотвращайте отскок рабочего инструмента от заготовки и его заклинивание.** Вращающийся рабочий инструмент склонен к заклиниванию на углах, острых кромках и при отскоке. Это вызывает потерю контроля или обратный удар.
- ▶ **Не применяйте пыльные цепи или пыльные полотна.** Такие рабочие инструменты часто становятся причиной обратного удара или потери контроля над электроинструментом.

### Специальные предупреждающие указания по шлифованию и отрезанию

- ▶ **Применяйте допущенные исключительно для Вашего электроинструмента абразивные инструменты и предусмотренные для них защитные кожухи.** Абразивные инструменты, не предусмотренные для этого электроинструмента, не могут быть достаточно закрыты и представляют собой опасность.



**ПАРКЕТНАЯ  
КОМПАНИЯ**



- ▶ **Изогнутые шлифовальные круги необходимо монтировать таким образом, чтобы их шлифовальная поверхность не выступала за край защитного кожуха.** Неправильно смонтированный шлифовальный круг, выступающий за край защитного кожуха, не прикрывается достаточным образом.
- ▶ **Защитный кожух необходимо надежно установить на электроинструменте и настроить с максимальным уровнем безопасности таким образом, чтобы в сторону пользователя смотрела как можно меньшая часть неприкрытого абразивного инструмента.** Защитный кожух помогает защитить пользователя от обломков, случайного контакта с абразивным инструментом и искрами, от которых может воспламениться одежда.
- ▶ **Абразивные инструменты допускается применять только для рекомендуемых работ. Например: Никогда не шлифуйте боковой поверхностью отрезного круга.** Отрезные круги предназначены для съема материала кромкой. Воздействием боковых сил на этот абразивный инструмент можно сломать его.
- ▶ **Всегда применяйте неповрежденные зажимные фланцы с правильными размерами и формой для выбранного Вами шлифовального круга.** Правильные фланцы являются опорой для шлифовального круга и уменьшают опасность его поломки. Фланцы для отрезных кругов могут отличаться от фланцев для шлифовальных кругов.
- ▶ **Не применяйте изношенные шлифовальные круги больших электроинструментов.** Шлифовальные круги для больших электроинструментов изготовлены не для высоких скоростей вращения маленьких электроинструментов, и их может разорвать.

### Дополнительные специальные предупреждающие указания для отрезания шлифовальным кругом

- ▶ **Предотвращайте блокирование отрезного круга и завышенное усилие прижатия. Не выполняйте слишком глубокие резы.** Перегрузка отрезного круга повышает его нагрузку и склонность к перекашиванию или блокированию и этим возможность обратного удара или поломки абразивного инструмента.
- ▶ **Избегайте зоны перед и за вращающимся отрезным кругом.** Если Вы ведете отрезной круг в заготовке от себя, то в случае обратного удара электроинструмент с вращающимся кругом может отскочить прямо на Вас.
- ▶ **При заклинивании отрезного круга и при перерыве в работе выключайте электроинструмент и держите его спокойно и неподвижно до остановки круга. Никогда не пытайтесь вынуть еще вращающийся отрезной круг из разреза, так как это может привести к обратному удару.** Установите и устраните причину заклинивания.
- ▶ **Не включайте повторно электроинструмент, пока абразивный инструмент находится в заготовке. Дайте отрезному кругу развить полное число оборотов, перед тем как Вы осторожно продолжите реза-**

ние. В противном случае круг может заесть, он может выскочить из обрабатываемой заготовки и привести к обратному удару.

- ▶ **Плиты или большие заготовки должны быть надежно подперты, чтобы снизить опасность обратного удара при заклинивании отрезного круга.** Большие заготовки могут прогибаться под собственным весом. Заготовка должна опираться с обеих сторон, как вблизи разреза, так и по краям.
- ▶ **Будьте особенно осторожны при выполнении разрезов в стенах или других местах, куда нельзя заглянуть.** Погружающийся отрезной круг может при падении на газопровод или водопровод, электрическую проводку или другие объекты привести к обратному удару.

### Специальные предупреждающие указания для шлифования наждачной бумагой

- ▶ **Не применяйте шлифовальную шкурку размером больше нужного, а руководствуйтесь указаниями изготовителя относительно размеров шлифовальной шкурки.** Шлифовальная шкурка, выступающая за край шлифовальной тарелки, может стать причиной травм и заклинивания, может порваться или привести к обратному удару.

### Особые предупреждающие указания для работ с проволочными щетками

- ▶ **Учитывайте, что проволочные щетки теряют проволоки также и при нормальной работе. Не перегружайте проволоки чрезмерным усилием прижатия.** Отлетающие куски проволоки могут легко проникнуть через тонкую одежду и/или кожу.
- ▶ **Если для работы рекомендуется использовать защитный кожух, то исключайте соприкосновение проволочной щетки с кожухом.** Тарельчатые и чашечные щетки могут увеличивать свой диаметр под действием усилия прижатия и центрифугальных сил.

### Другие указания по технике безопасности и по работе

- ▶ **Примите во внимание напряжение в сети! Напряжение источника питания должно соответствовать данным на заводской табличке электроинструмента.**
- ▶ **Используйте соответствующие металлоискатели для нахождения спрятанных в стене труб или проводки или обращайтесь за справкой в местное коммунальное предприятие.** Контакт с электропроводкой может привести к пожару и поражению электротоком. Повреждение газопровода может привести к взрыву. Повреждение водопровода ведет к нанесению материального ущерба или может вызвать поражение электротоком.
- ▶ **Снимите фиксацию выключателя и установите его в положение Выкл., если был перебой в электроснабжении, например, при исчезновении электричества в сети или вытаскивании вилки из розетки.**





## 144 | Русский

- ▶ **Пыль таких материалов, как, напр., свинцовосодержащие лакокрасочные покрытия, некоторые виды древесины, минералов и металла, может нанести вред Вашему здоровью и вызвать аллергические реакции, заболевания дыхательных путей и/или рак.** Поручайте обработку содержащего асбест материала только специалистам.
  - По возможности используйте пригодный для материала пылеотсос.
  - Хорошо проветривайте рабочее место.
  - Рекомендуется пользоваться респираторной маской с фильтром класса P2.
 Соблюдайте действующие в Вашей стране предписания для обрабатываемых материалов.
- ▶ **Избегайте скопления пыли на рабочем месте.** Пыль может легко воспламениться.
- ▶ **Закрепляйте заготовку.** Заготовка, установленная в зажимное приспособление или в тиски, удерживается более надежно, чем в Вашей руке.
- ▶ При поломке шлифовального круга во время работы или при повреждении устройств крепления защитного кожуха/электроинструмента электроинструмент должен быть немедленно направлен в сервисную мастерскую, адреса см. раздел «Сервис и консультирование на предмет использования продукции».
- ▶ **Устанавливайте защитный кожух таким образом, чтобы он предотвращал полет искр в направлении пользователя.**
- ▶ **Защитный кожух должен вращаться только при приведении в действие рычага разблокировки на головке редуктора. В противном случае нельзя продолжать работу с электроинструментом, его необходимо отдать в сервисную мастерскую.**
- ▶ **Не прикасайтесь к шлифовальным и отрезным кругам, пока они не остынут.** Круги очень нагреваются во время работы.
- ▶ **Нажимайте на кнопку фиксации шпинделя только при остановленном шпинделе!** В противном случае электроинструмент может быть поврежден.
- ▶ **После монтажа шлифовального инструмента проверьте перед включением правильность монтажа и свободное вращение инструмента. Проверьте свободное вращение шлифовального инструмента без трения о защитный кожух или другие части.**
- ▶ При эксплуатации электроинструмента от передвижных электроагрегатов (генераторов) возможна потеря мощности или необычное поведение при включении.
- ▶ **При слишком сильном нажатии Вы можете перегрузить электроинструмент. Перегрузка может привести к перегреву или повреждению электроинструмента. После сильной нагрузки дайте электроинструменту проработать еще несколько минут на холостом ходу, чтобы он мог остыть.**
- ▶ **Не используйте электроинструмент на абразивно-отрезной станине.**
- ▶ **Никогда не применяйте отрезные круги для обдирки!**

- ▶ **Используйте быстрозажимную гайку только для шлифовальных и отрезных кругов. Используйте только безупречную, неповрежденную быстрозажимную гайку.**
- ▶ **При вращении не вытягивайте головку редуктора – см. рис. 12, стр. 280.**
- ▶ В целях экономии электроэнергии включайте электроинструмент только тогда, когда Вы собираетесь работать с ним.
- ▶ **Для работ с резиновой шлифовальной тарелкой или с чашечной и дисковой щеткой, или с лепестковым шлифовальным кругом устанавливайте защитный щиток для руки .**
- ▶ **При резке с помощью связанных абразивов всегда используйте защитный кожух для отрезания.**
- ▶ **Для резки камня обеспечьте достаточный отсос пыли.**
- ▶ **Применяйте противопылевой респиратор.**

## Символы

Следующие символы помогут Вам при чтении и понимании руководства по эксплуатации. Запомните символы и их значение. Правильная интерпретация символов поможет Вам правильнее и надежнее работать с электроинструментом.

Символ	Значение
	Товарный №
	Ознакомьтесь со всеми указаниями по технике безопасности и инструкциями
	Перед любыми работами с электроинструментом вытаскивайте штепсель из розетки
	Надевайте защитные рукавицы
	Носите средства защиты слуха.
	Одевайте защитные очки
	Направление движения
	Применяйте силу для выполнения этой рабочей операции.



Символ	Значение
	Низкое число оборотов
	Высокое число оборотов
	Включение
	Выключение
	Фиксация выключателя
	Ослабление фиксации выключателя
	Запрещенное действие
	Разрешенное действие
	Следующее действие
$P_1$	Ном. потребляемая мощность
$P_2$	Полезная мощность
$n$	Номинальное число оборотов
$n_v$	Диапазон настройки частоты оборотов
	$l$ = длина шлифовального шпинделя $d_1$ = диаметр шлифовального шпинделя
	$D$ = макс. диаметр шлифовального круга $d_2$ = внутренний диаметр шлифовального круга
	Выбор числа оборотов
	Константная электроника
	Система выключения при обратном ударе

Символ	Значение
	Защита от непреднамеренного запуска Защита от непреднамеренного включения предотвращает неконтролируемый запуск электроинструмента после перерыва в подаче питания. Для <b>повторного включения</b> переведите выключатель в выключенное положение и снова включите электроинструмент.
	Ограничение пускового тока
	Дополнительная информация
	Шлифование поверхностей
	Шлифование абразивной шкуркой
	Вес согласно ЕРТА-Procedure 01:2014 с дополнительной виброзащитной рукояткой
	Вес согласно ЕРТА-Procedure 01:2014 с дополнительной стандартной рукояткой
	Обозначение степени защиты II (нормальная изоляция)
$L_{wA}$	Уровень звуковой мощности
$L_{pA}$	Уровень звукового давления
$K$	Погрешность
$a_h$	Суммарное значение вибрации

## Комплект поставки

Угловая шлифмашина, защитный кожух, дополнительная рукоятка.

Специальные защитные кожухи, рабочий инструмент и прочие изображенные или описанные принадлежности не входят в стандартный комплект поставки.

Полный набор принадлежностей Вы найдете в нашем ассортименте принадлежностей.

## Применение по назначению

Электроинструмент предназначен для обдирки металла, камня и керамики, а также для сверления в плитке.

Для резки с помощью связанных абразивов необходимо использовать специальный защитный кожух для отрезания.

Для резки камня необходимо обеспечить достаточный отсос пыли.

В сочетании с защитой для рук (принадлежности) электроинструмент можно использовать для крацевания и шлифования с помощью эластичных шлифовальных тарелок. Электроинструмент предназначен только для сухой обработки.



## Технические данные

Технические данные электроинструмента приведены в таблице на стр. 262 – 264.

Параметры указаны для номинального напряжения [U] 230 В. При других значениях напряжения, а также в специфическом для страны исполнении инструмента возможны иные параметры.

Пожалуйста, учитывайте товарный номер на заводской табличке Вашего электроинструмента. Торговые названия отдельных электроинструментов могут различаться.

## Данные по шуму и вибрации

Измеренные значения для электроинструмента приведены в таблице на стр. 262 – 264.

Значения звуковой эмиссии определены в соответствии с EN 60745-2-3.

Суммарная вибрация  $a_h$  (векторная сумма трех направлений) и погрешность К определены в соответствии с EN 60745-2-3.

Указанный в этих инструкциях уровень вибрации определен в соответствии со стандартизированной методикой изме-

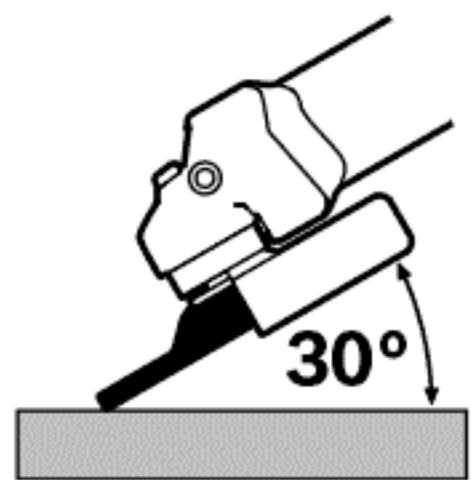

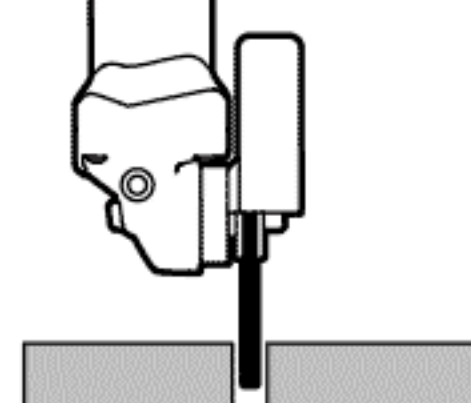

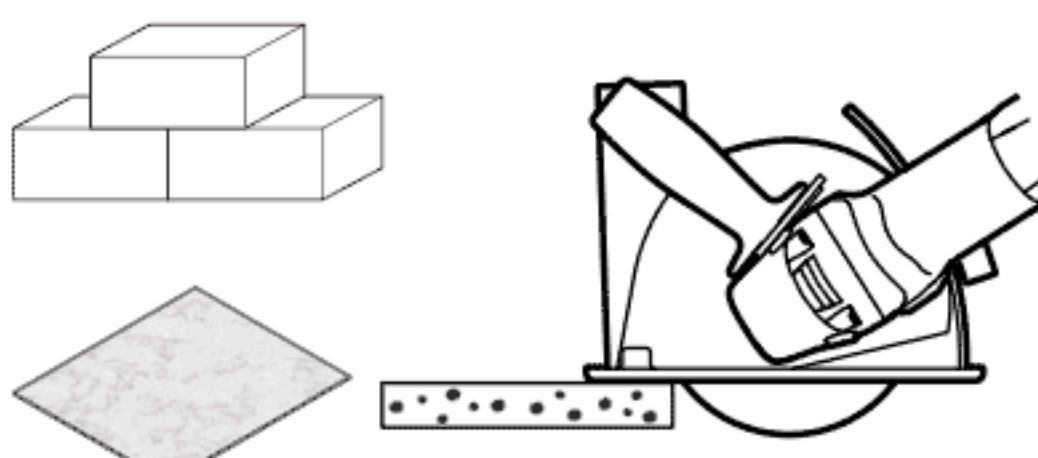

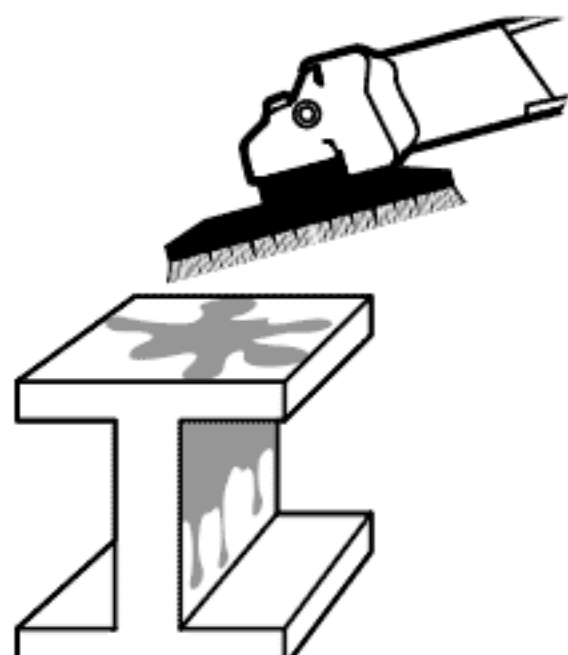

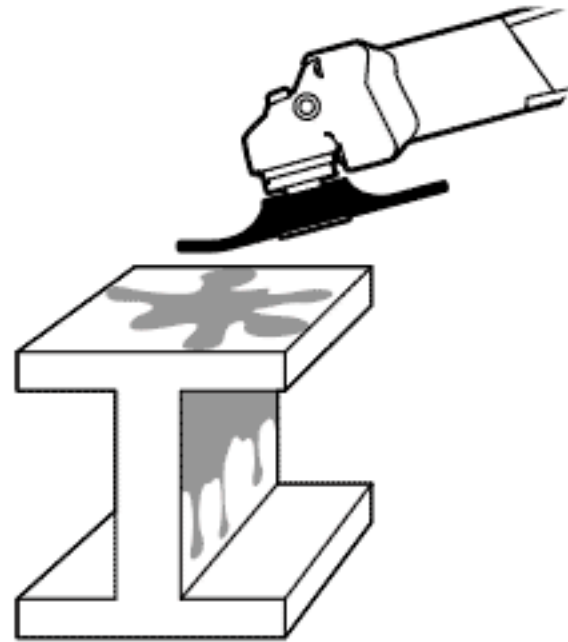

рений, прописанной в EN 60745, и может использоваться для сравнения электроинструментов. Он пригоден также для предварительной оценки вибрационной нагрузки. Уровень вибрации указан для основных видов работы с электроинструментом. Однако если электроинструмент будет использован для выполнения других работ, с различными принадлежностями, с применением сменных рабочих инструментов, не предусмотренных изготовителем, или техническое обслуживание не будет отвечать предписаниям, то уровень вибрации может быть иным. Это может значительно повысить вибрационную нагрузку в течение всей продолжительности работы.

Для точной оценки вибрационной нагрузки в течение определенного временного интервала нужно учитывать также и время, когда инструмент выключен или, хотя и включен, но не находится в работе. Это может значительно сократить нагрузку от вибрации в расчете на полное рабочее время.

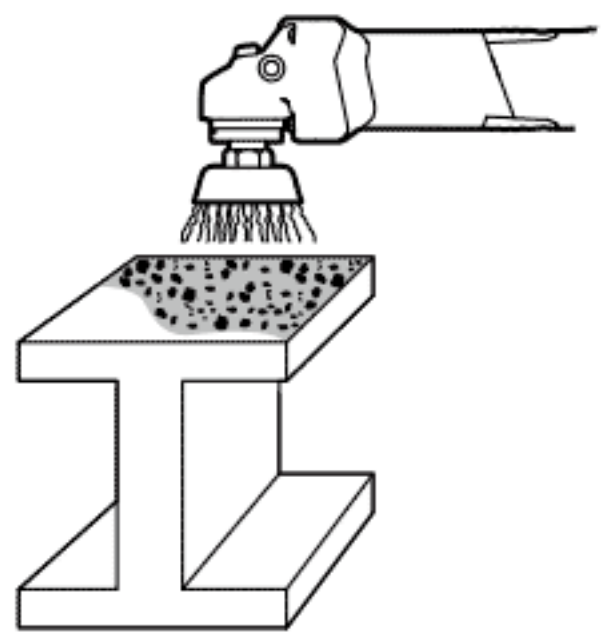


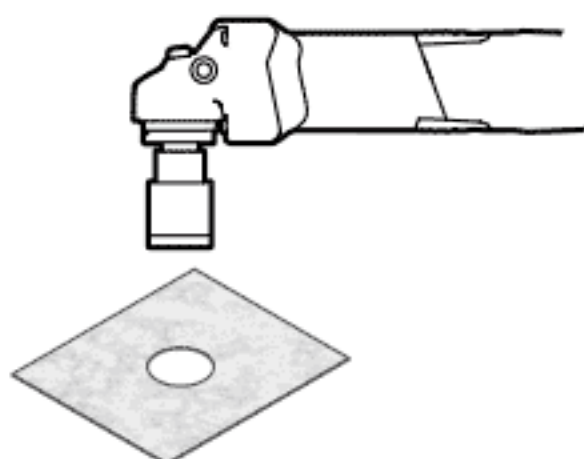


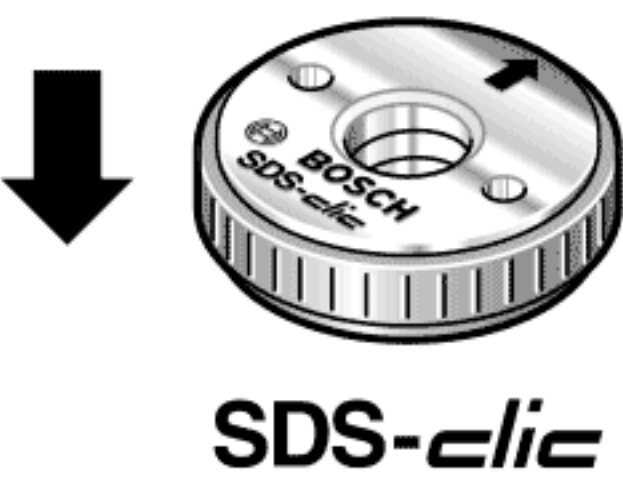


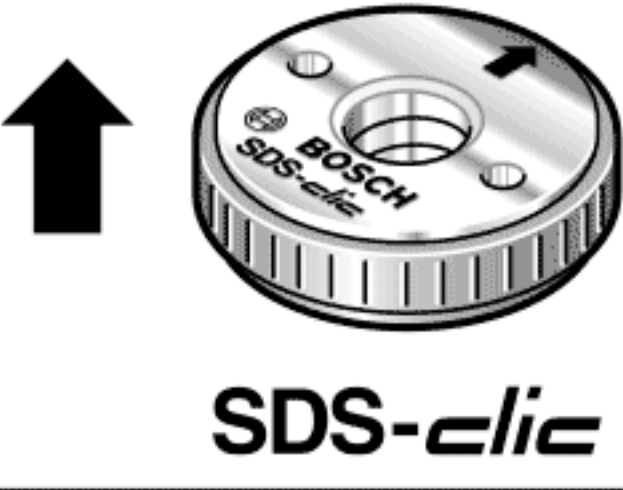







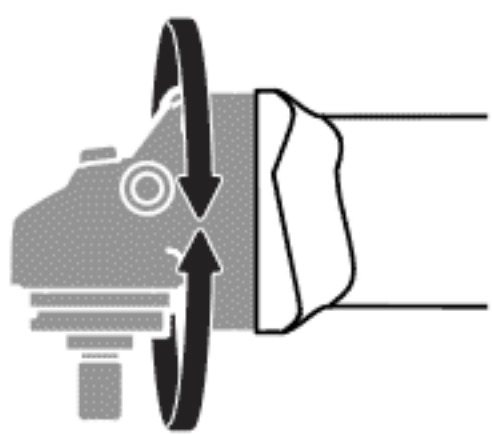





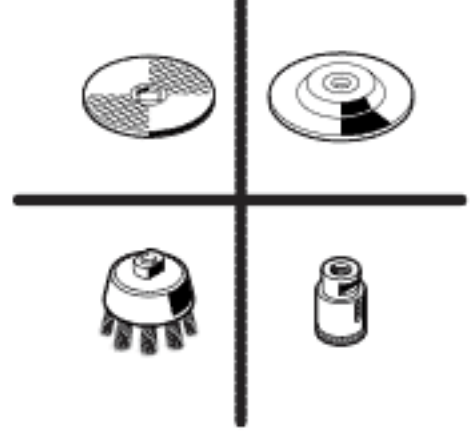
Предусмотрите дополнительные меры безопасности для защиты оператора от воздействия вибрации, например: техническое обслуживание электроинструмента и рабочих инструментов, меры по поддержанию рук в тепле, организация технологических процессов.

## Монтаж и эксплуатация

В нижеследующей таблице указаны действия по монтажу и эксплуатации электроинструмента. Указания по выполнению действий показаны на указанном рисунке. В зависимости от применения необходимы различные комбинации указаний. Соблюдайте указания по технике безопасности.

Действие	Рисунок	Примите во внимание	Страница
Подготовка к шлифованию			265 – 266
Подготовка к резке			267 – 268
Подготовка к резке камня и плитки (рекомендация)			269 – 270
Подготовка к шлифованию с использованием вытяжного колпака			271 – 272
Подготовка к удалению краски			273



Действие	Рисунок	Примите во внимание	Страница
Подготовка к удалению ржавчины		 	274
Подготовка к сверлению плитки		 	275
Монтаж быстрозажимной гайки	 SDS-CLIC	 	275 – 276
Демонтаж быстрозажимной гайки	 SDS-CLIC	 	276
Включение/выключение		  	276
Настройка числа оборотов			277
Поворот редукторной головки		 	278
Эффективная работа с угловой шлифмашиной			279
участок, обозначенный серым цветом: рукоятка (с изолированной поверхностью)			279
Выбор допустимого абразивного инструмента			280
Выбор принадлежностей	-		281 – 283



## Техобслуживание и очистка

- ▶ Для обеспечения качественной и безопасной работы следует постоянно содержать электроинструмент и вентиляционные щели в чистоте.

При экстремальных условиях работы всегда используйте по возможности отсасывающее устройство. Часто продувайте вентиляционные щели и подключайте инструмент через устройство защитного отключения (PRCD). При обработке металлов внутри электроинструмента может откладываться токопроводящая пыль. Это может иметь нанести ущерб защитной изоляции электроинструмента.

Заботливо храните и обращайтесь с принадлежностями. Если требуется поменять шнур, обращайтесь на фирму Bosch или в авторизованную сервисную мастерскую для электроинструментов Bosch.

## Сервис и консультирование на предмет использования продукции

Сервисная мастерская ответит на все Ваши вопросы по ремонту и обслуживанию Вашего продукта и по запчастям. Монтажные чертежи и информацию по запчастям Вы найдете также по адресу:

**www.bosch-pt.com**

Коллектив сотрудников Bosch, предоставляющий консультации на предмет использования продукции, с удовольствием ответит на все Ваши вопросы относительно нашей продукции и ее принадлежностей.

Пожалуйста, во всех запросах и заказах запчастей обязательно указывайте 10-значный товарный номер по заводской табличке изделия.

### Для региона: Россия, Беларусь, Казахстан, Украина

Гарантийное обслуживание и ремонт электроинструмента, с соблюдением требований и норм изготовителя производятся на территории всех стран только в фирменных или авторизованных сервисных центрах «Роберт Бош».

**ПРЕДУПРЕЖДЕНИЕ!** Использование контрафактной продукции опасно в эксплуатации, может привести к ущербу для Вашего здоровья. Изготовление и распространение контрафактной продукции преследуется по Закону в административном и уголовном порядке.

### Россия

Уполномоченная изготовителем организация:

ООО «Роберт Бош»

Вашутинское шоссе, вл. 24

141400, г.Химки, Московская обл.

Россия

Тел.: 8 800 100 8007 (звонок по России бесплатный)

E-Mail: info.powertools@ru.bosch.com

Полную и актуальную информацию о расположении сервисных центров и приёмных пунктов Вы можете получить:

- на официальном сайте [www.bosch-pt.ru](http://www.bosch-pt.ru)
- либо по телефону справочно – сервисной службы Bosch 8 800 100 8007 (звонок по России бесплатный)

### Беларусь

ИП «Роберт Бош» ООО

Сервисный центр по обслуживанию электроинструмента

ул. Тимирязева, 65А-020

220035, г. Минск

Беларусь

Тел.: +375 (17) 254 78 71

Тел.: +375 (17) 254 79 16

Факс: +375 (17) 254 78 75

E-Mail: [pt-service.by@bosch.com](mailto:pt-service.by@bosch.com)

Официальный сайт: [www.bosch-pt.by](http://www.bosch-pt.by)

### Казахстан

Центр консультирования и приема претензий

ТОО «Роберт Бош» (Robert Bosch)

г. Алматы,

Республика Казахстан

050012

ул. Муратбаева, д.180

БЦ «Гермес», 7й этаж

Тел.: +7 (727) 331 31 00

Факс: +7 (727) 233 07 87

E-Mail: [ptka@bosch.com](mailto:ptka@bosch.com)

Полную и актуальную информацию о расположении сервисных центров и приемных пунктов Вы можете получить на официальном сайте:

[www.bosch-professional.kz](http://www.bosch-professional.kz)

## Утилизация

Отслужившие свой срок электроинструменты, принадлежности и упаковку следует сдавать на экологически чистую рекуперацию отходов.

Не выбрасывайте электроинструменты в бытовой мусор!

### Только для стран-членов ЕС:



Согласно Европейской Директиве 2012/19/EU о старых электрических и электронных инструментах и приборах и адекватному предписанию национального права, отслужившие свой срок электроинструменты должны отдельно собираться и сдаваться на экологически чистую утилизацию.

**Возможны изменения.**



262 |

		GWS ...	9-115	9-125	11-125	12-125 CI	12-125 CI	13-125 CI	13-125 CIE
		3 601 ...	G9B 0..	G9C 0..	G9D 0..	G93 06.	G93 0G.	G9E 0..	G9F 0..
$P_1$		W	900	900	1100	1150	1200	1300	1300
$P_2$		W	530	530	740	530	640	700	700
$n$		$\text{min}^{-1}$	11500	11500	11500	11500	11500	11500	11500
$n_v$		$\text{min}^{-1}$	-	-	-	-	-	-	2800 - 11500
	$l$	mm	22	22	22	22	22	22	22
	$d_1$		M 14	M 14	M 14	M 14	M 14	M 14	M 14
	$D$	mm	115	125	125	125	125	125	125
	$d_2$	mm	22,2	22,2	22,2	22,2	22,2	22,2	22,2
		kg	2,1	2,1	2,3	2,3	2,3	2,3	2,3
		kg	2,0	2,0	2,2	2,2	2,2	2,2	2,2
			-	-	-	-	-	-	●
			-	-	-	●	●	●	●
			-	-	-	●	●	●	●
			●	●	●	●	●	●	●
			●	●	●	●	●	●	●
$L_{wA}$		dB(A)	101	101	102	102	102	102	102
$L_{pA}$		dB(A)	90	90	91	91	91	91	91
$K$		dB	3	3	3	3	3	3	3
$a_h$		$\text{m/s}^2$	5	5	5	6	6	6	6
$a_h$		$\text{m/s}^2$	1,5	1,5	2	2	2	2	2
$K$		$\text{m/s}^2$	1,5	1,5	1,5	1,5	1,5	1,5	1,5
	/II		●	●	●	●	●	●	●



ПАРКЕТНАЯ КОМПАНИЯ



	GWS ...	15-125 CIE	15-125 Inox	17-125 CI	17-125 CIE	17-125 CIT	17-150 CI	17-125 Inox	
	3 601 ...	G96 0..	G9X 0..	G9G 0..	G9H 0..	G9J 0..	G9K 0..	G9M 0..	
$P_1$	W	1500	1500	1700	1700	1700	1700	1700	
$P_2$	W	820	820	1010	1010	1010	1010	1010	
$n$	$\text{min}^{-1}$	11500	7500	11500	11500	9300	9300	7500	
$n_v$	$\text{min}^{-1}$	2800 – 11500	2200 – 7500	–	2800 – 11500	2800 – 9300	–	2200 – 7500	
	$l$	mm	22	22	22	22	22	22	
	$d_1$		M 14	M 14	M 14	M 14	M 14	M 14	
	$D$	mm	125	125	125	125	150	125	
	$d_2$	mm	22,2	22,2	22,2	22,2	22,2	22,2	
	$m_1$	kg	2,4	2,4	2,4	2,4	2,5	2,4	
	$m_2$	kg	2,3	2,3	2,3	2,3	2,4	2,3	
			•	•	–	•	•	–	•
			•	•	•	•	•	•	•
			•	•	•	•	•	•	•
			•	•	•	•	•	•	•
			•	•	•	•	•	•	•
$L_{WA}$	dB(A)	103	103	103	103	102	103	103	
$L_{pA}$	dB(A)	92	92	92	92	91	92	92	
$K$	dB	3	3	3	3	3	3	3	
$a_h$	$\text{m/s}^2$	6	5	6	6	5,5	7	5	
$a_h$	$\text{m/s}^2$	4	2	4	4	2,5	2,5	2	
$K$	$\text{m/s}^2$	1,5	1,5	1,5	1,5	1,5	1,5	1,5	
	/II	•	•	•	•	•	•	•	





264 |

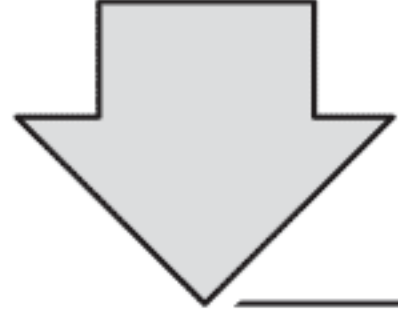
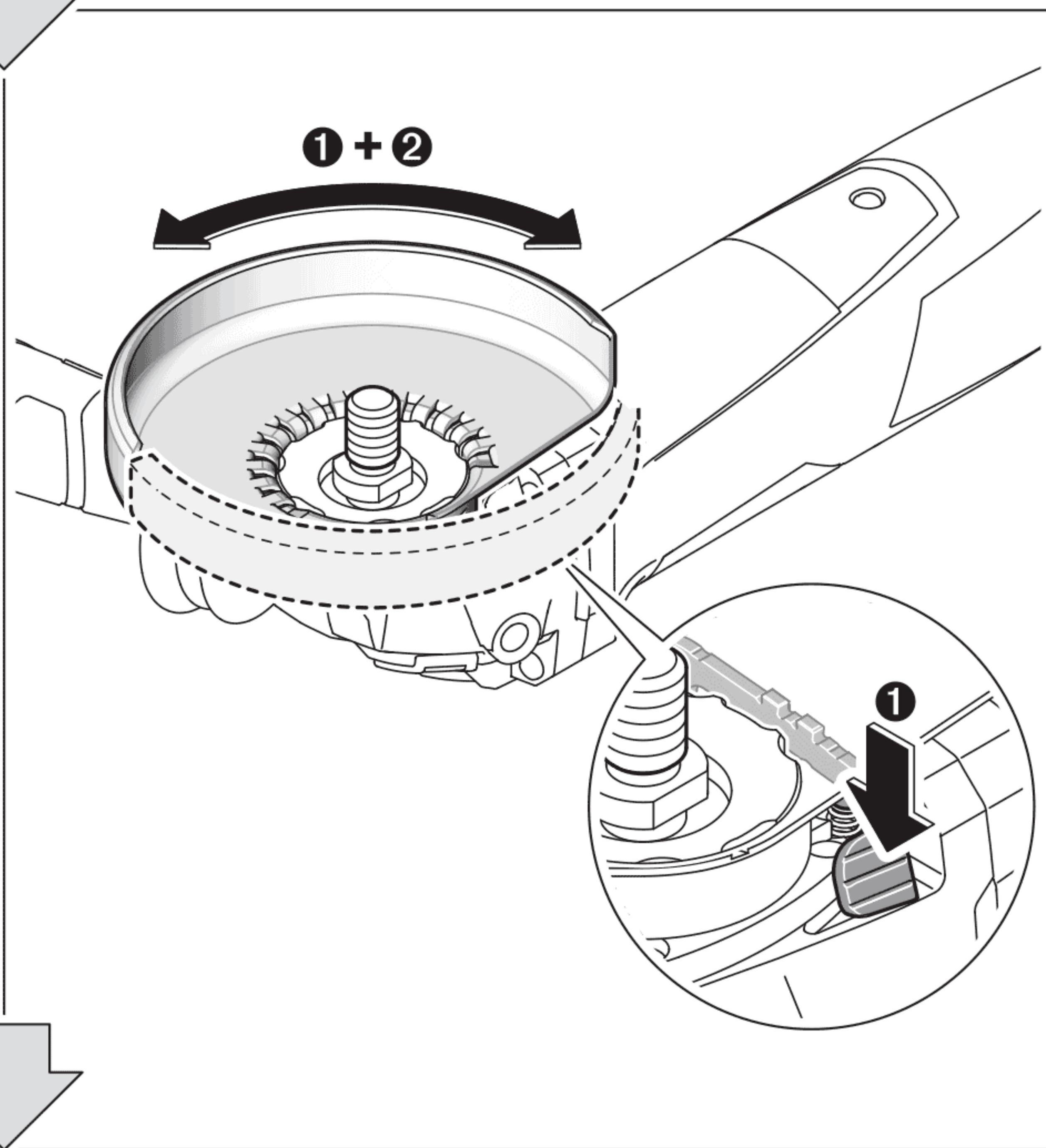
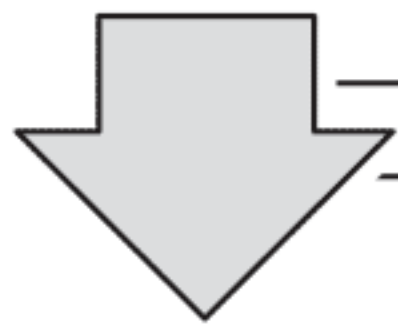
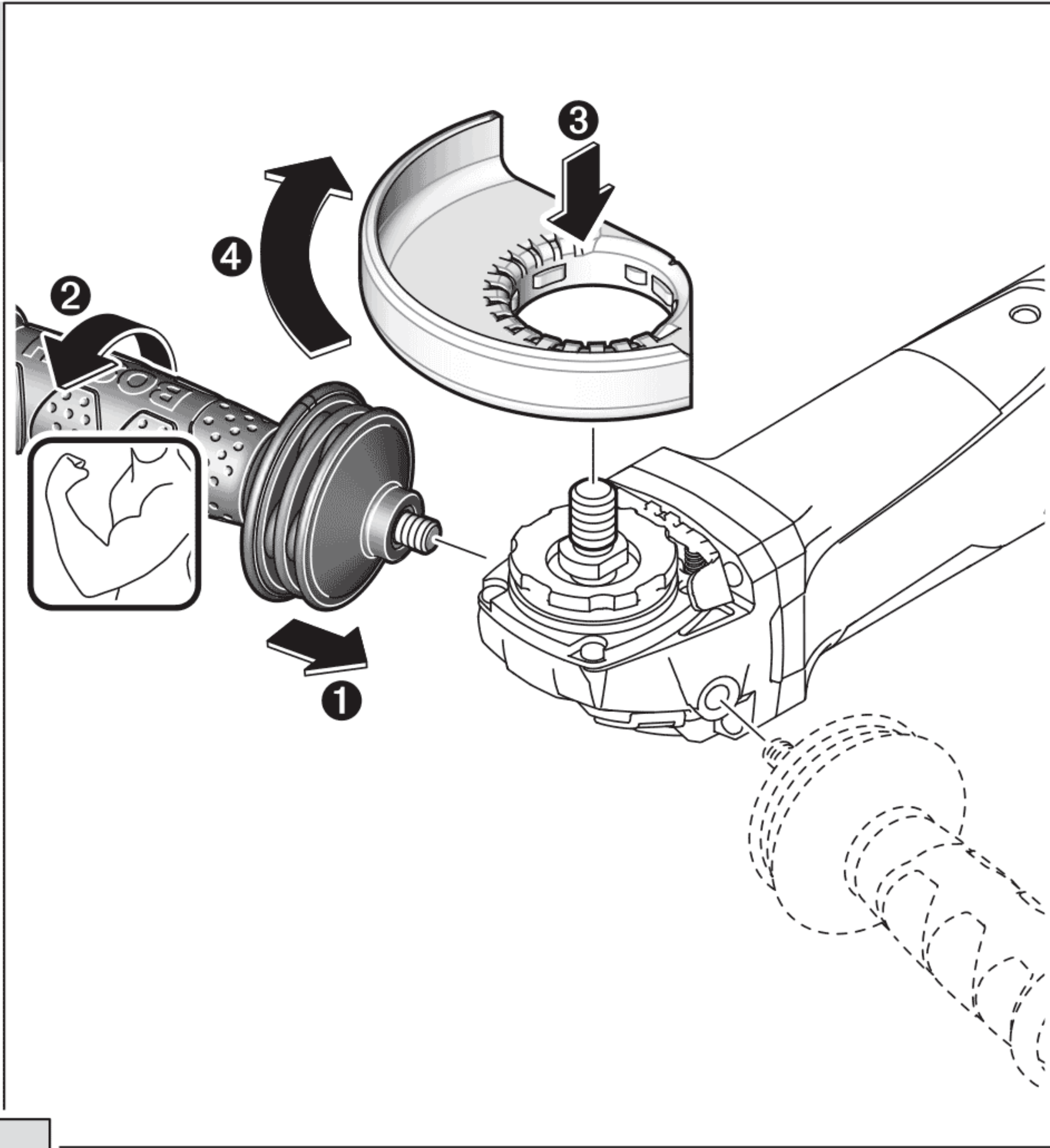
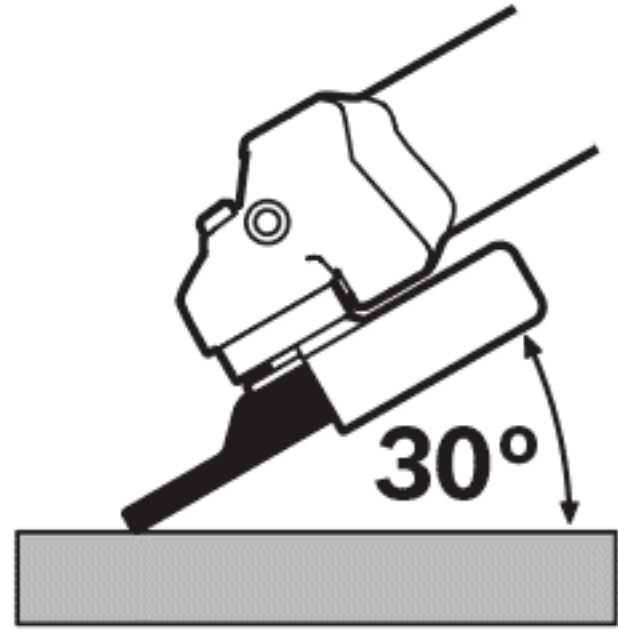
	GWS ...	19-125 CI	19-125 CIE	19-150 CI	19-125 CIST
	3 601 ...	G9N 0..	G9P 0..	G9R 0..	G9S 0..
$P_1$	W	1900	1900	1900	1900
$P_2$	W	1220	1220	1220	1220
$n$	$\text{min}^{-1}$	11500	11500	9700	7800
$n_v$	$\text{min}^{-1}$	-	2800 - 11500	-	-
	$l$	mm	22	22	22
	$d_1$		M 14	M 14	M 14
	$D$	mm	125	125	150
	$d_2$	mm	22,2	22,2	22,2
	kg	2,4	2,4	2,5	2,4
	kg	2,3	2,3	2,4	2,3
		-	●	-	-
		●	●	●	●
		●	●	●	●
		●	●	●	●
		●	●	●	●
$L_{wA}$	dB(A)	102	102	103	102
$L_{pA}$	dB(A)	91	91	92	91
$K$	dB	3	3	3	3
$a_h$	$\text{m/s}^2$	6	6	7	5
$a_h$	$\text{m/s}^2$	4	4	2,5	2
$K$	$\text{m/s}^2$	1,5	1,5	1,5	1,5
		●	●	●	●



ПАРКЕТНАЯ КОМПАНИЯ



**1**

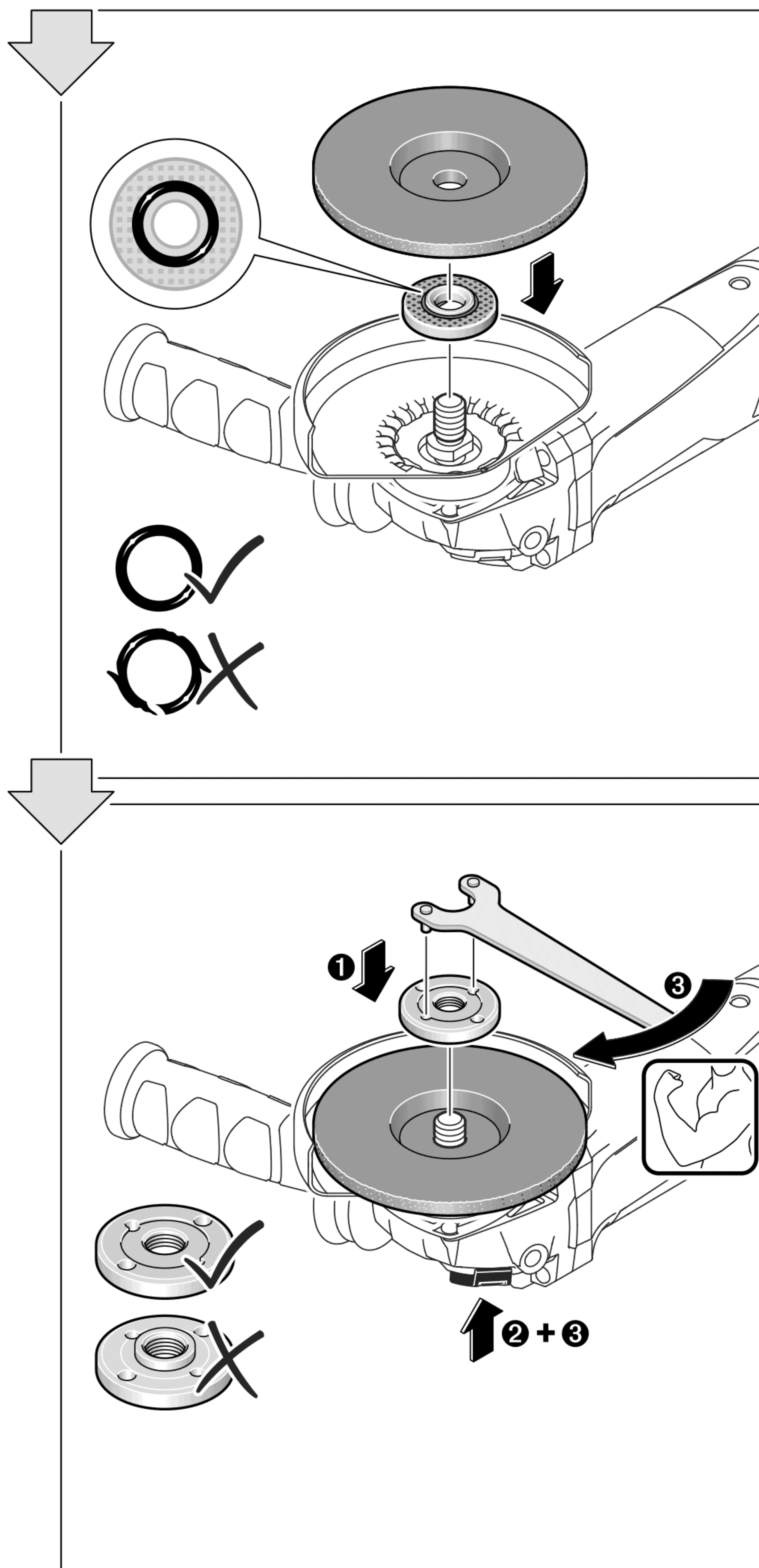


**ПАРКЕТНАЯ  
КОМПАНИЯ**



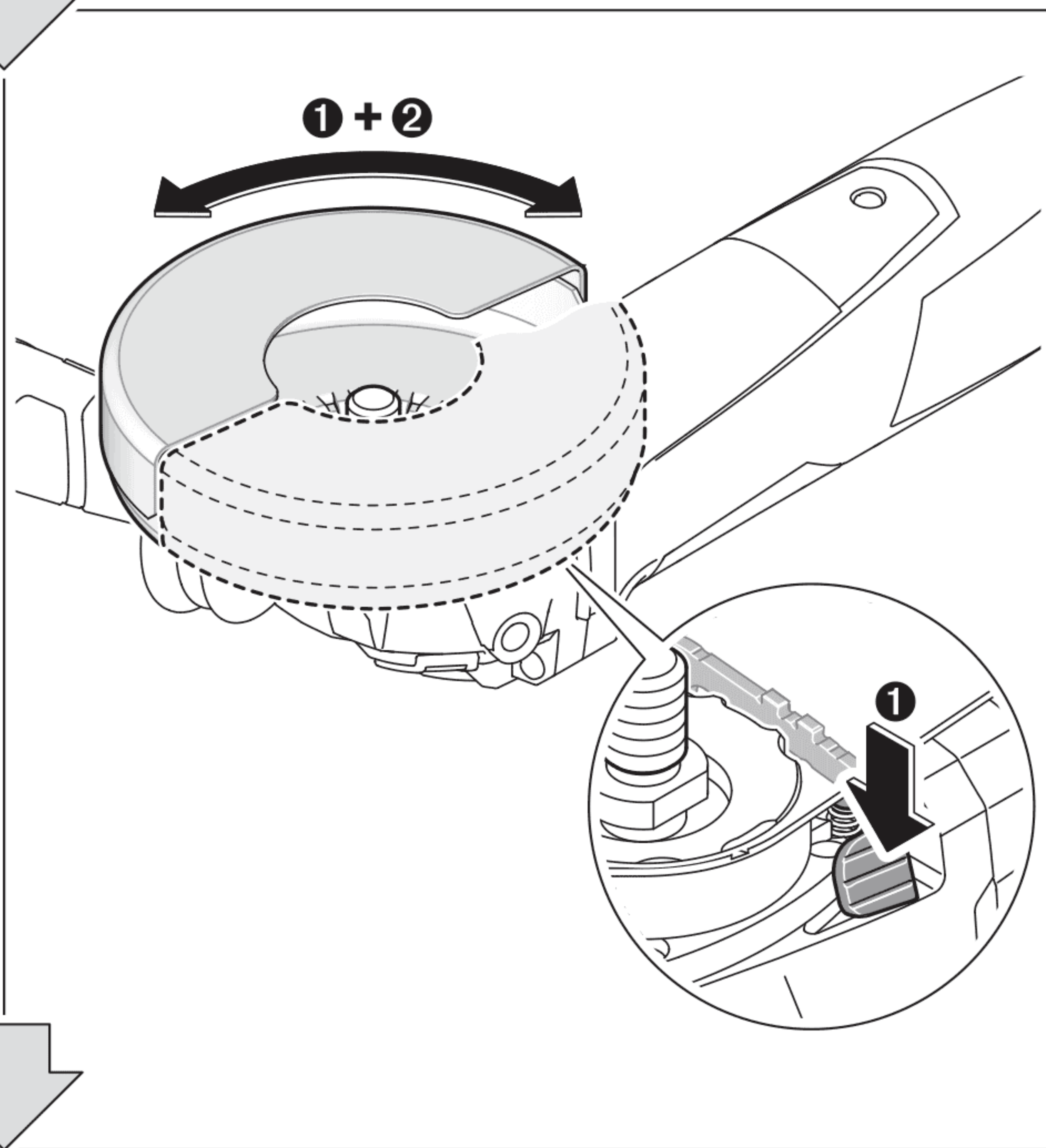
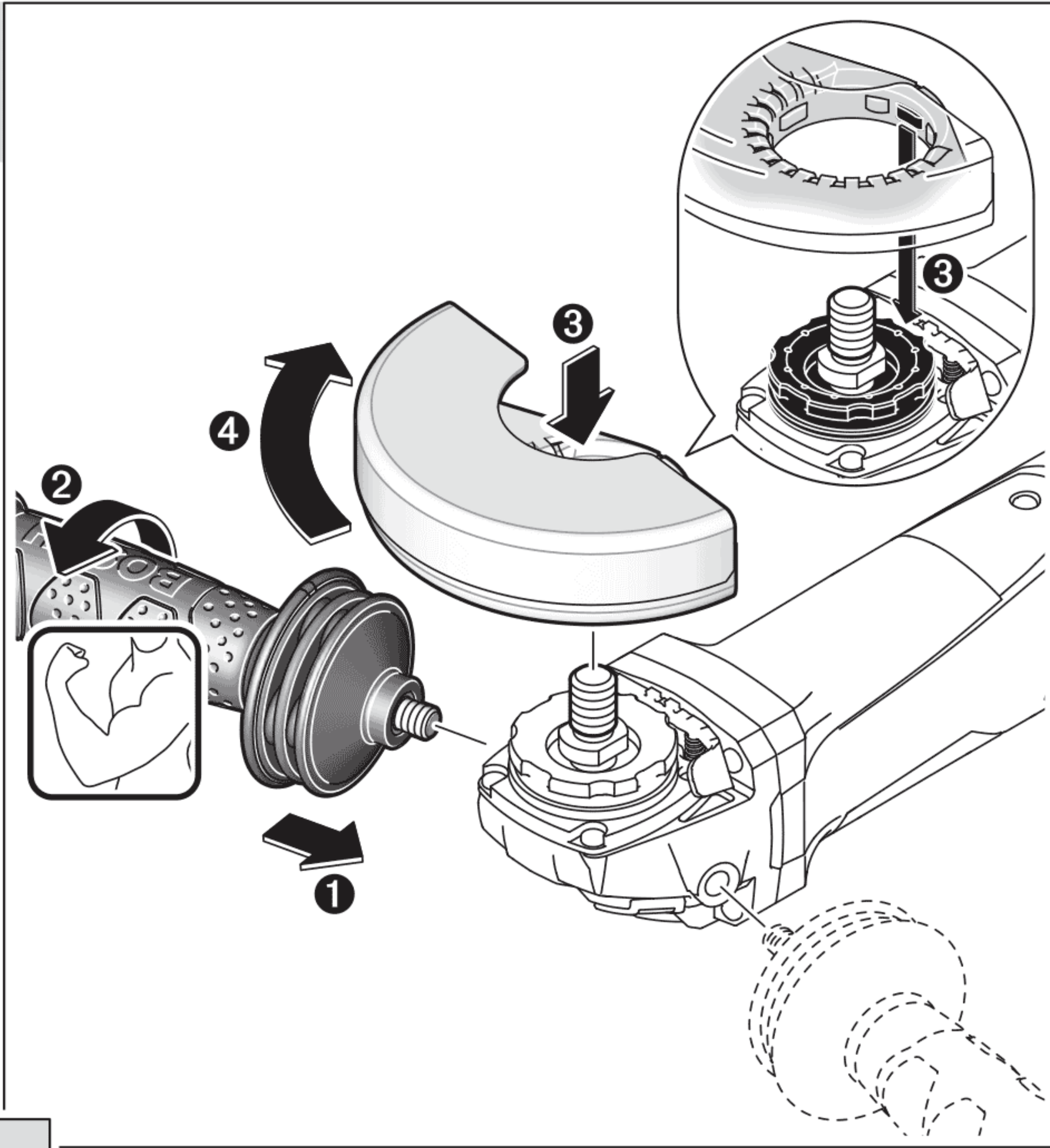
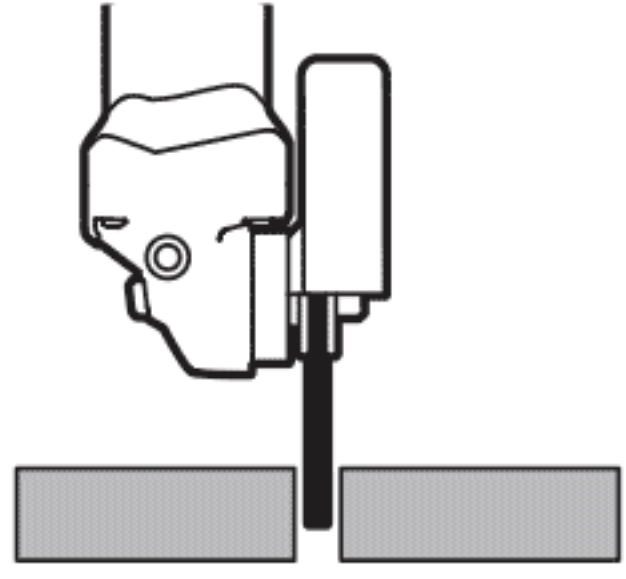


ПАРКЕТНАЯ  
КОМПАНИЯ





2

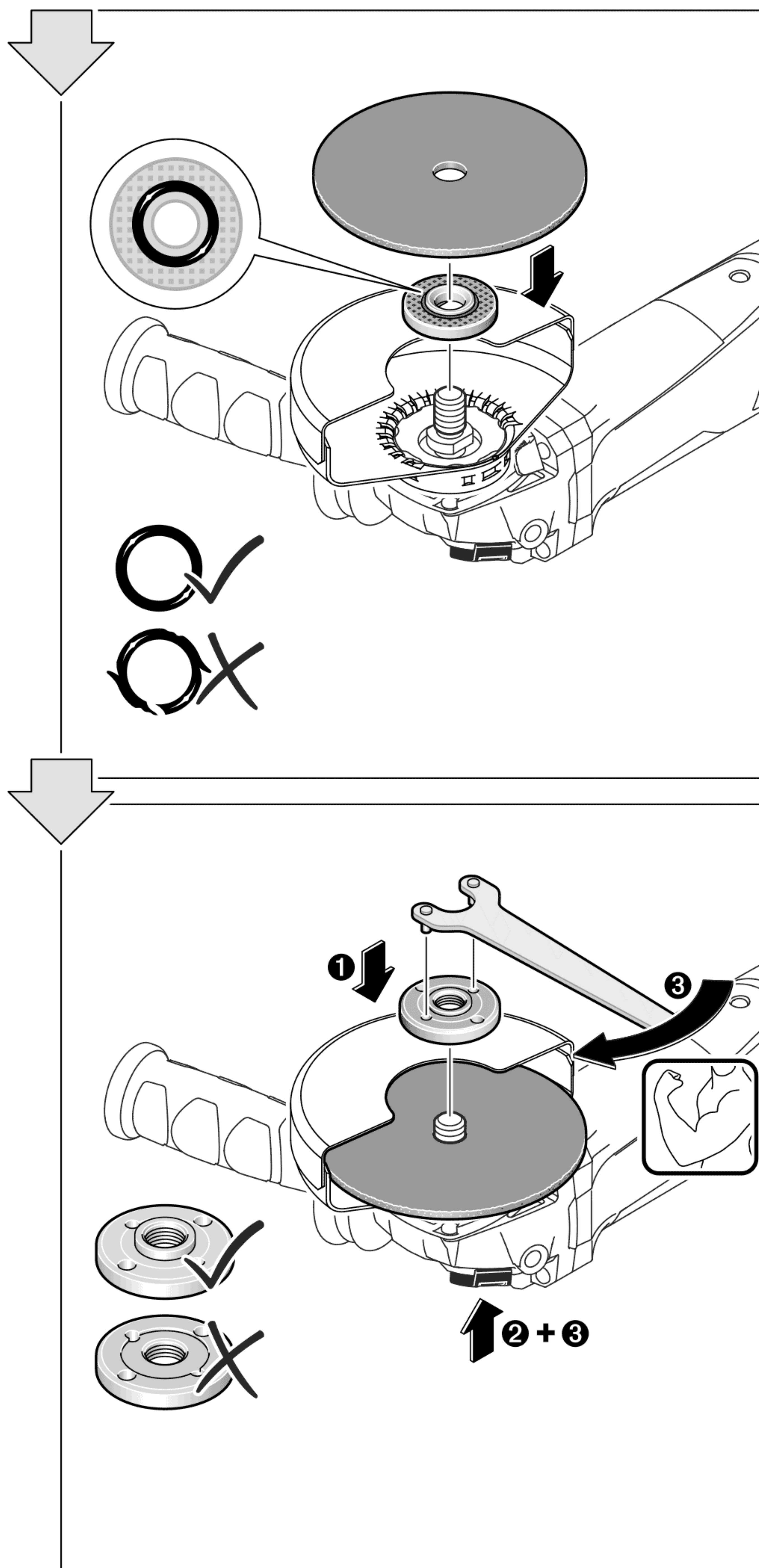


ПАРКЕТНАЯ  
КОМПАНИЯ



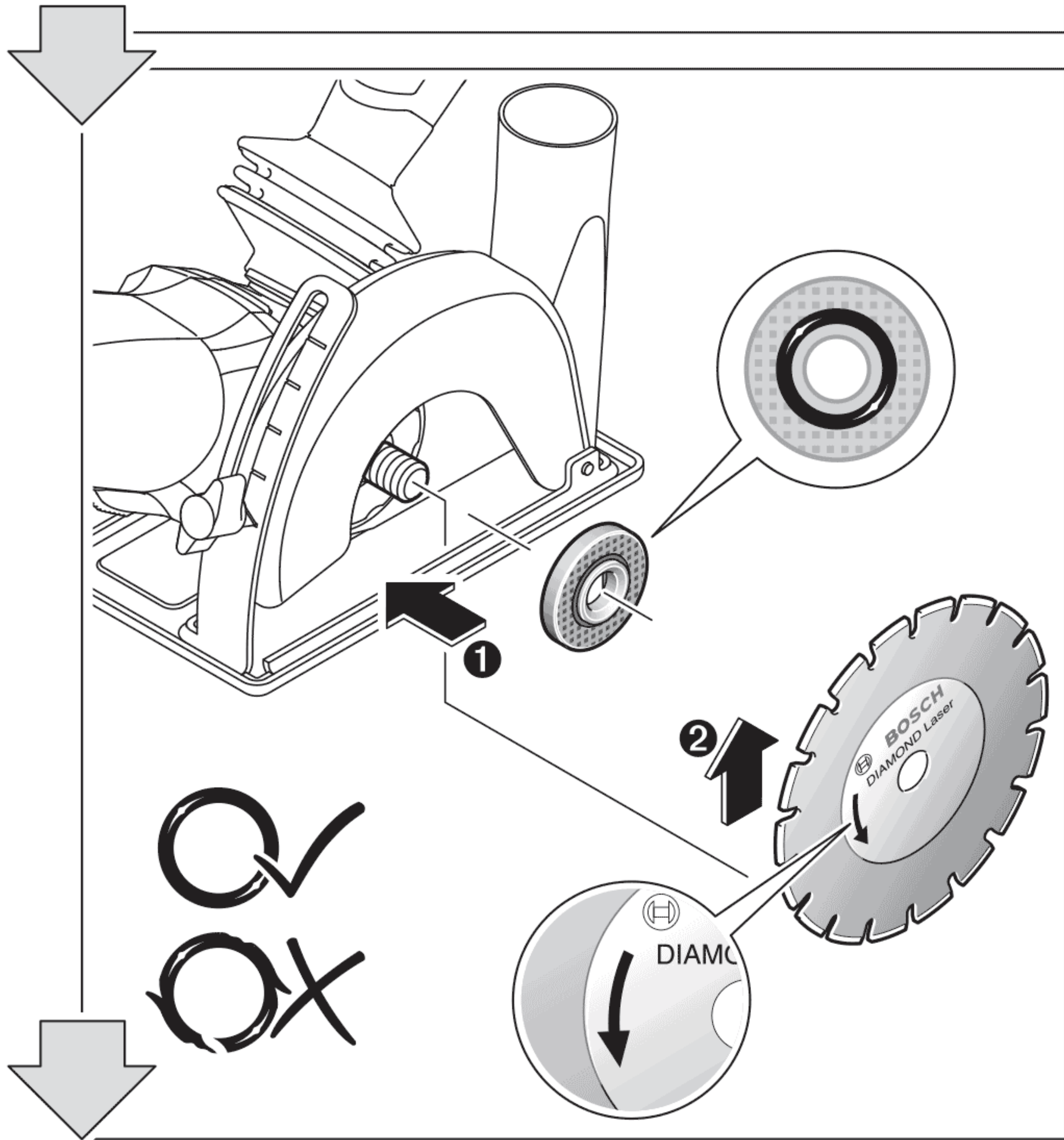
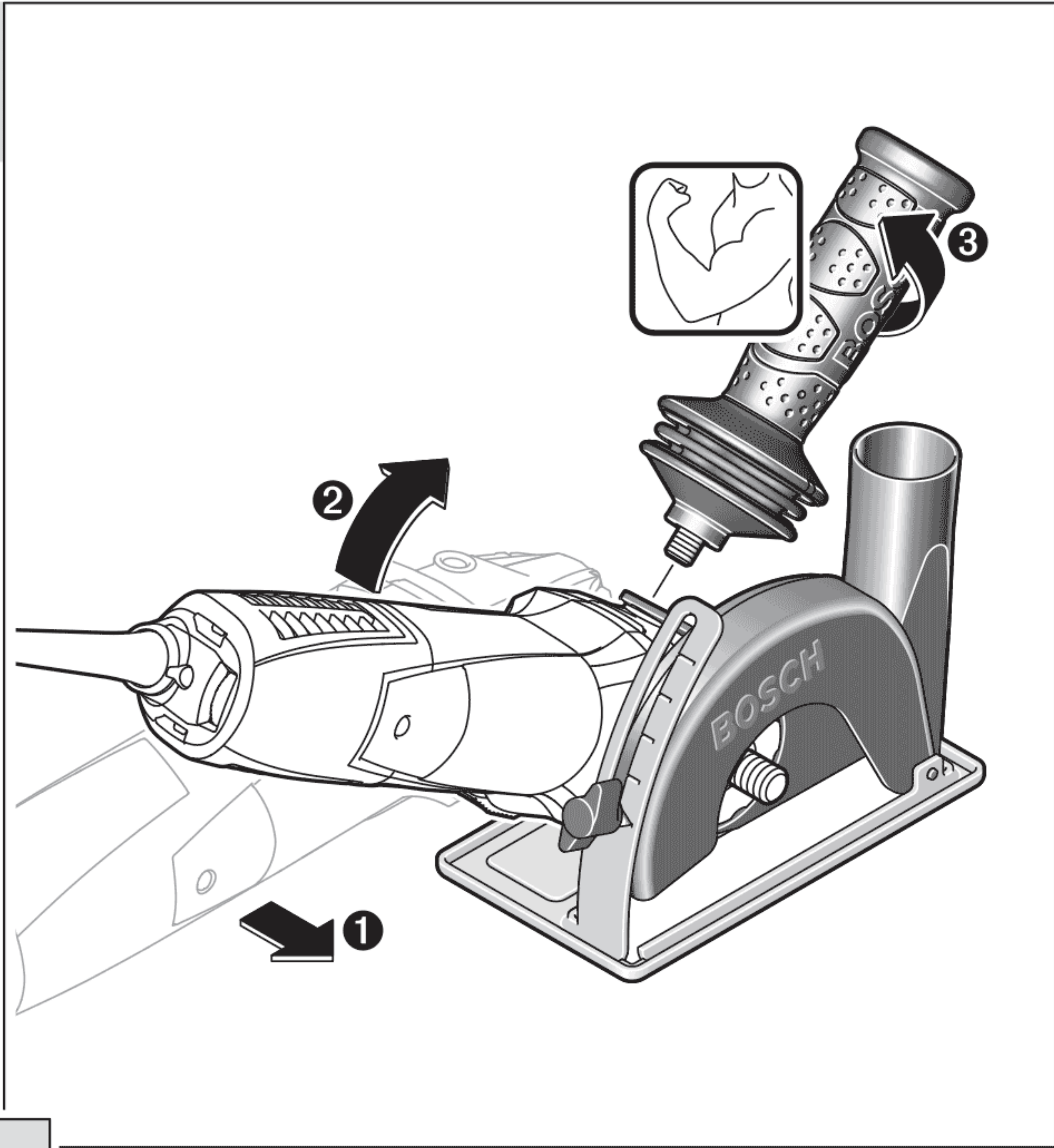
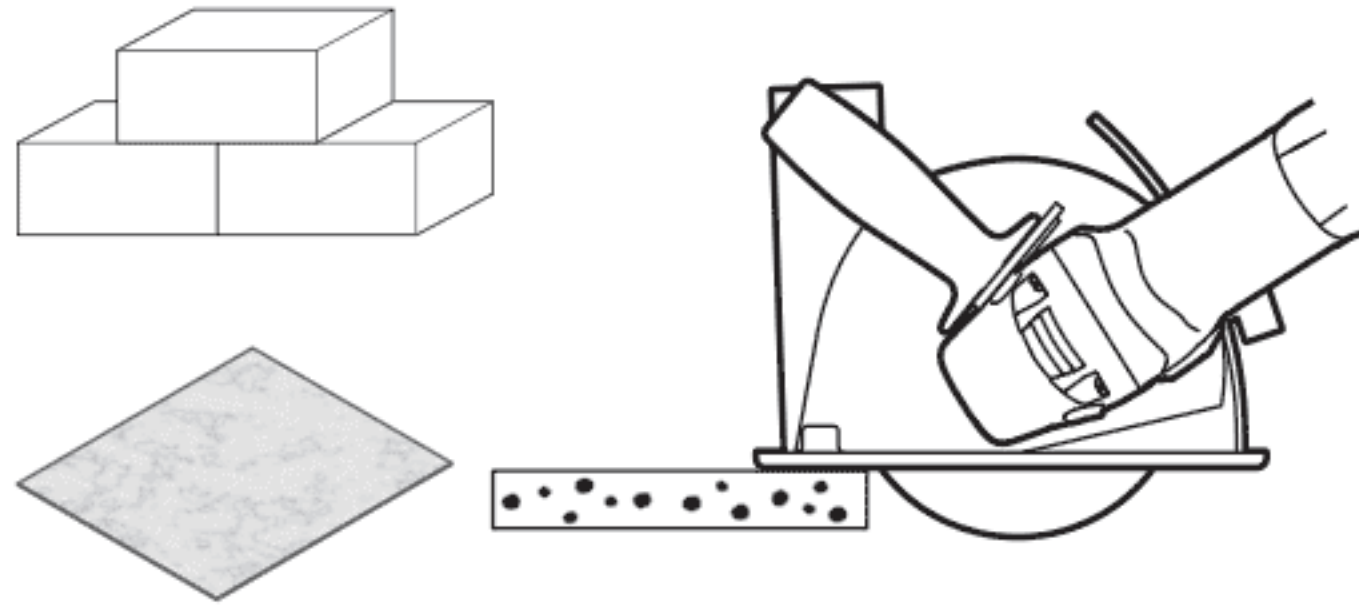


ПАРКЕТНАЯ  
КОМПАНИЯ



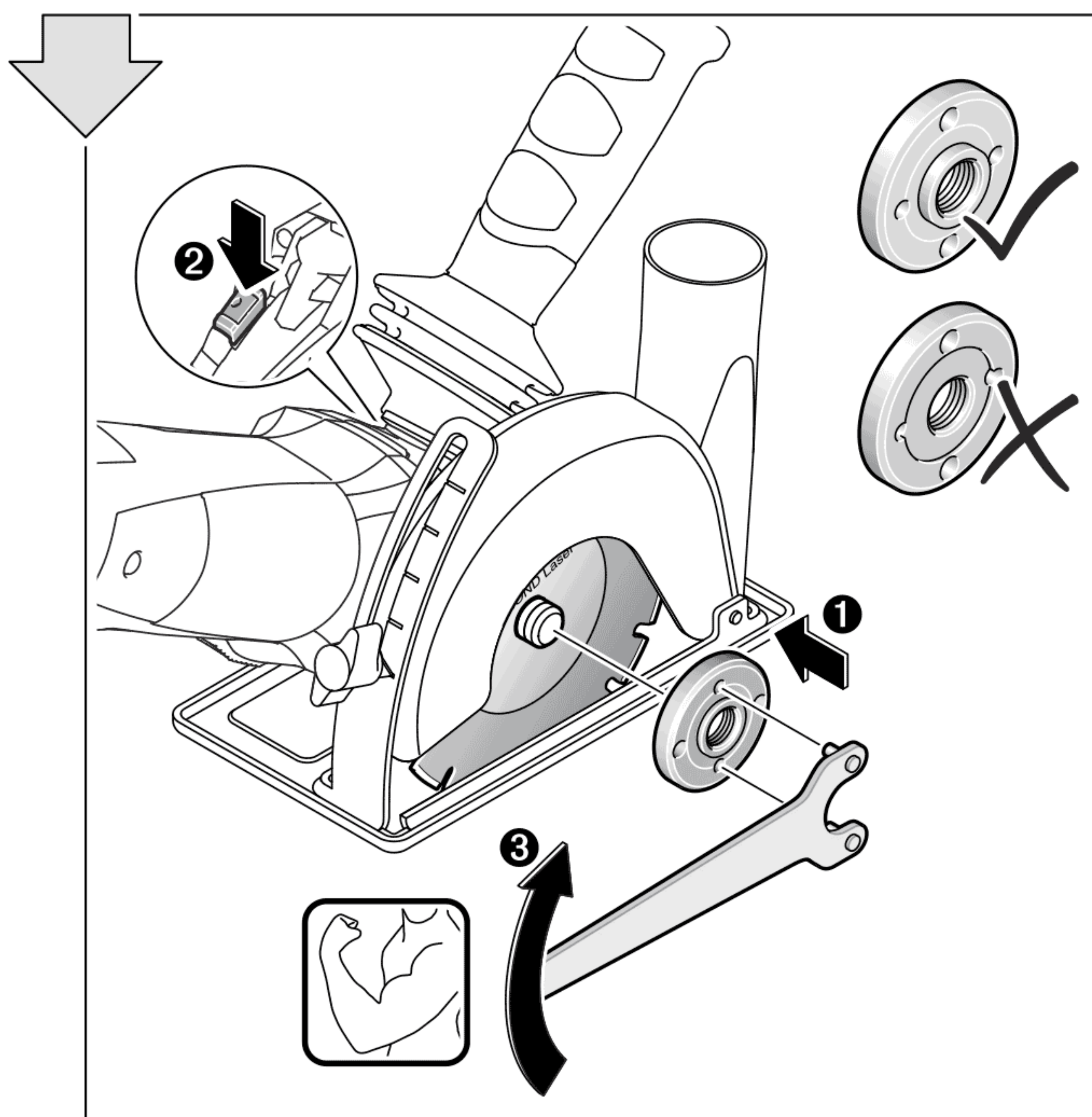


3

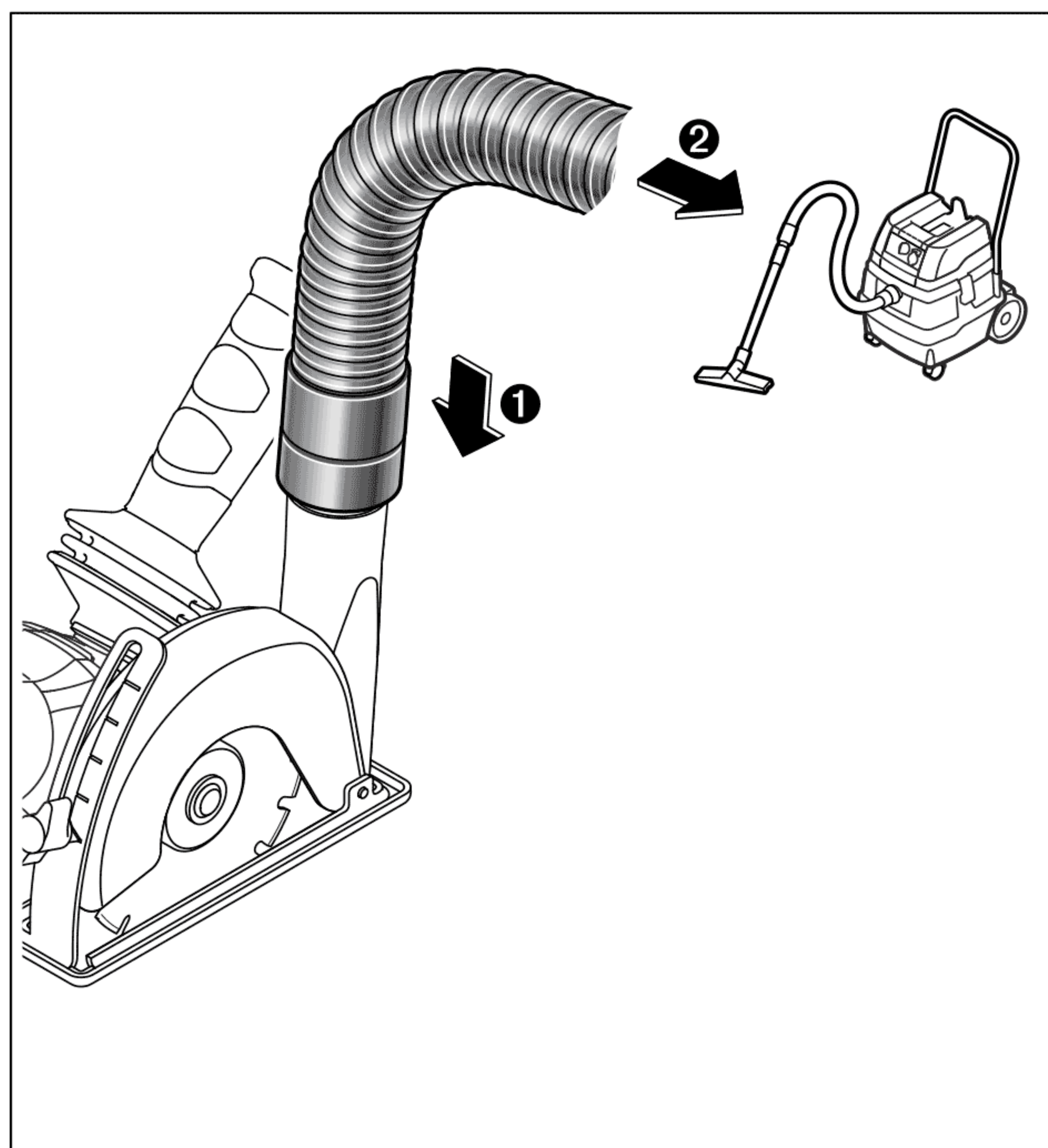


ПАРКЕТНАЯ  
КОМПАНИЯ



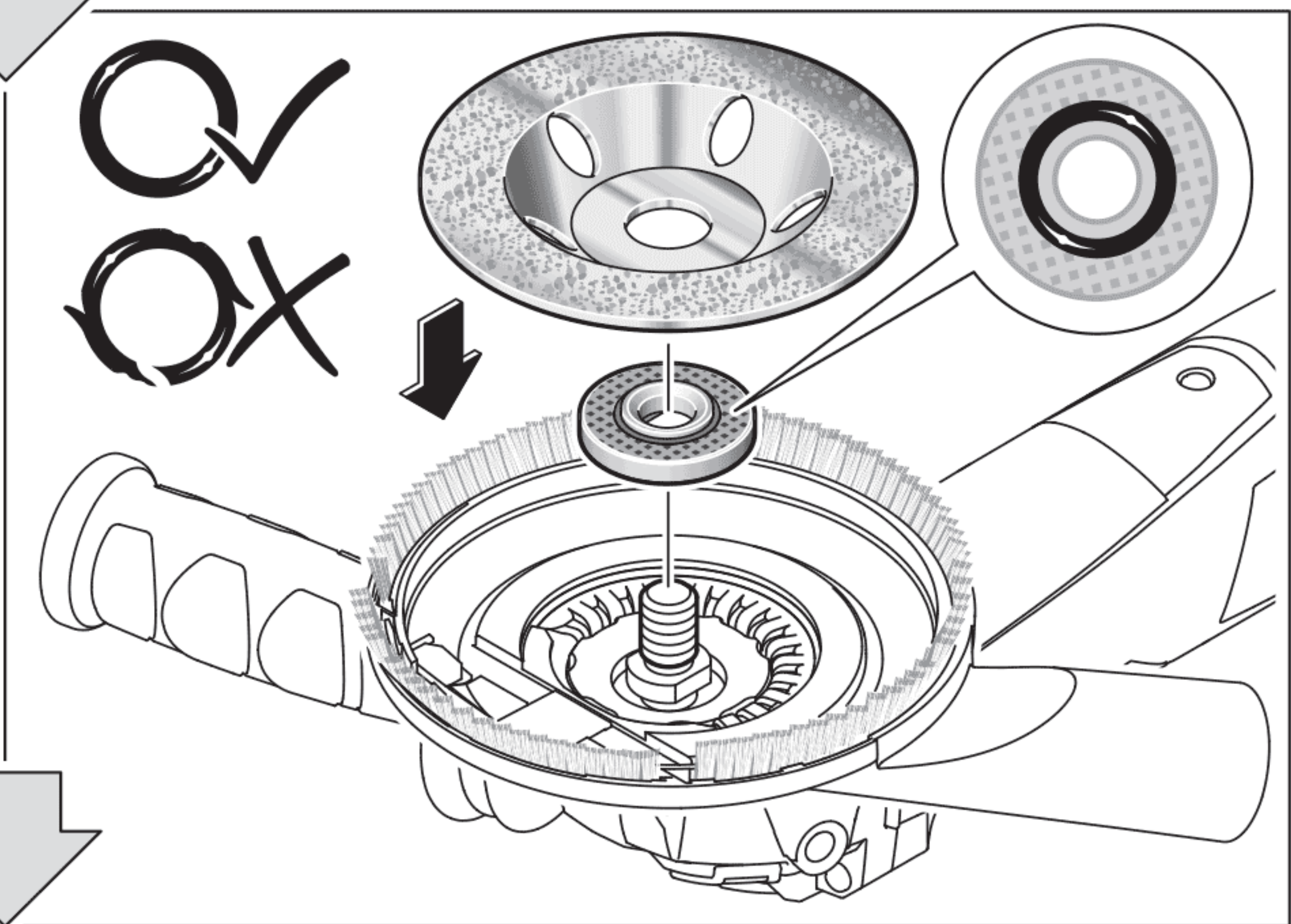
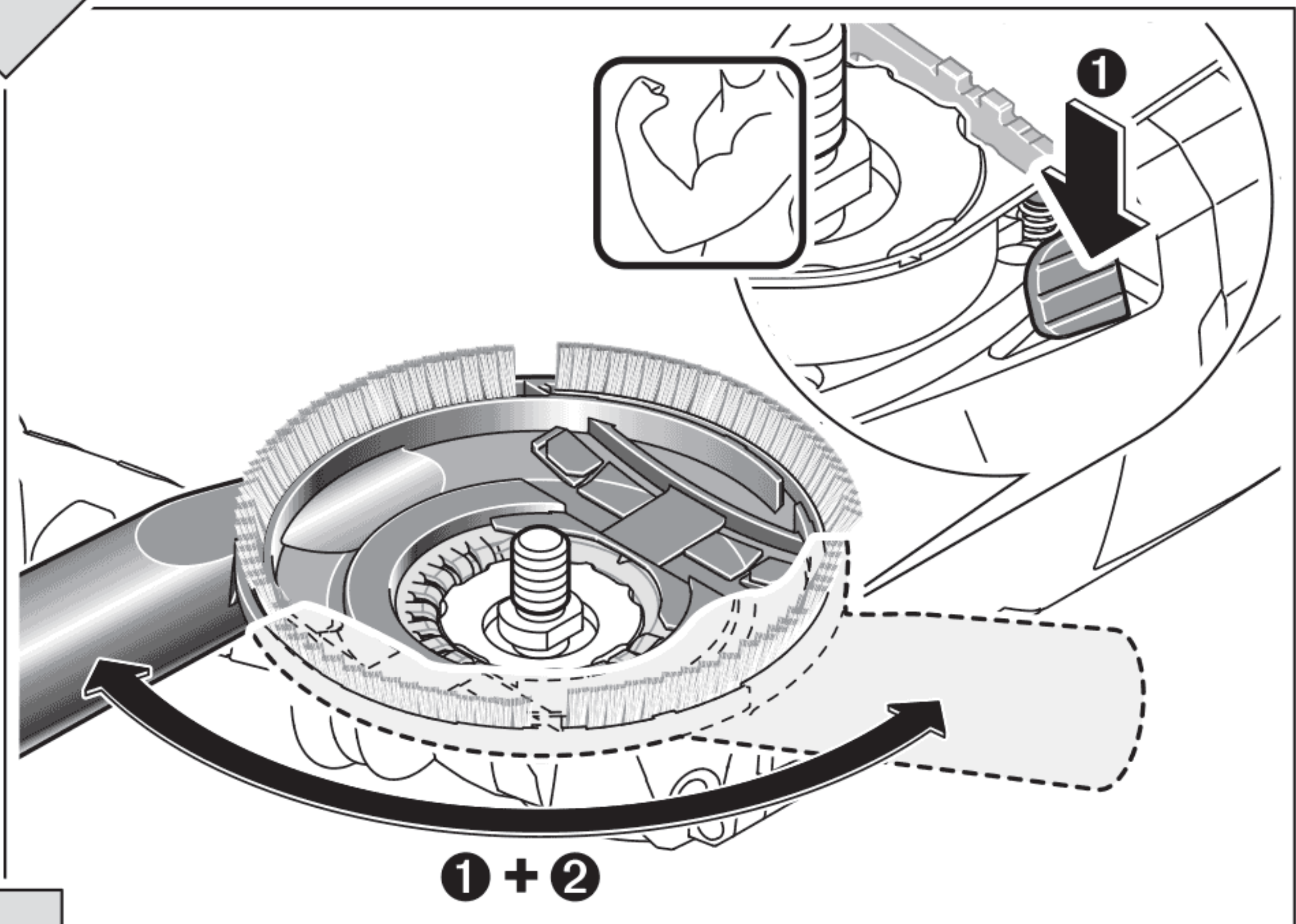
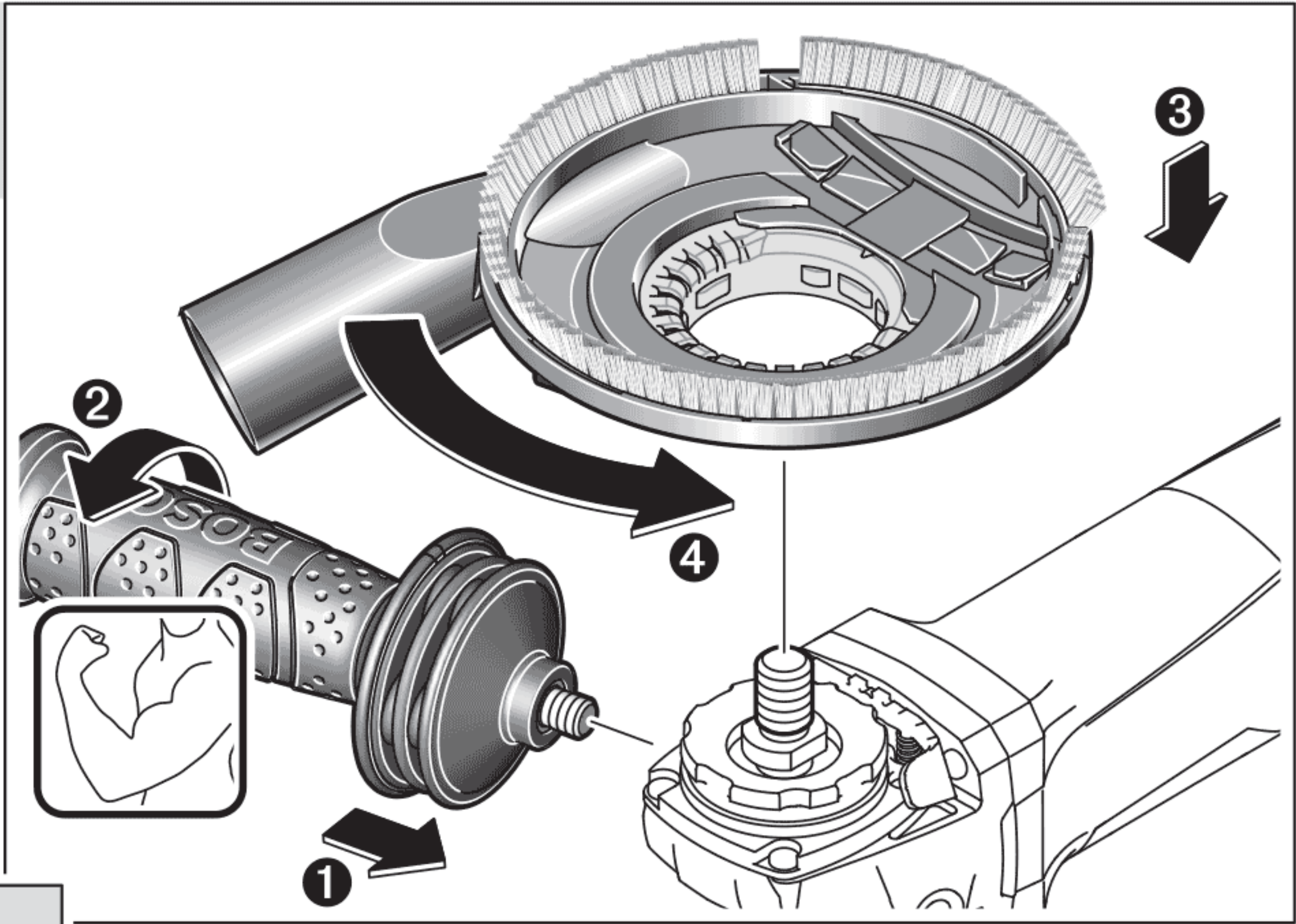
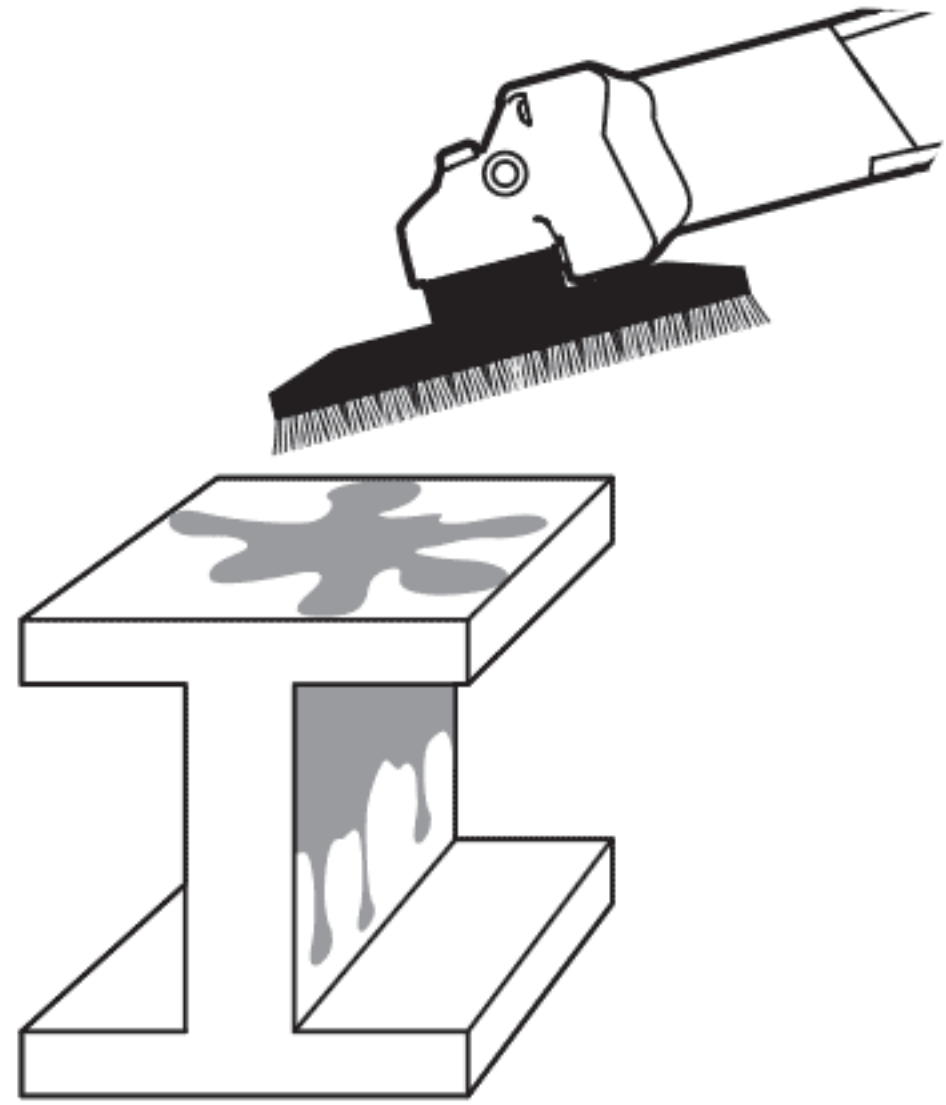


ПАРКЕТНАЯ  
КОМПАНИЯ



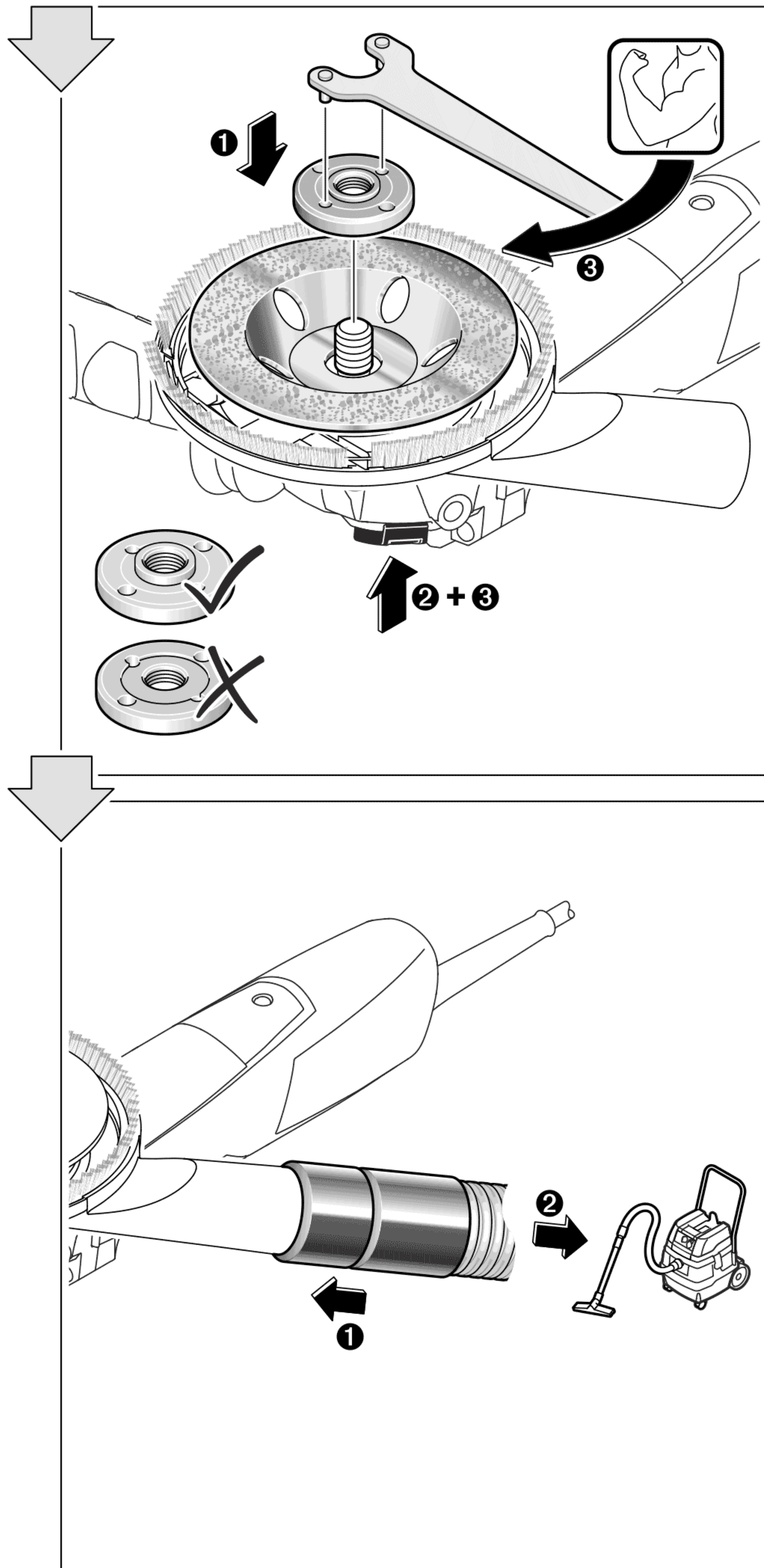


4



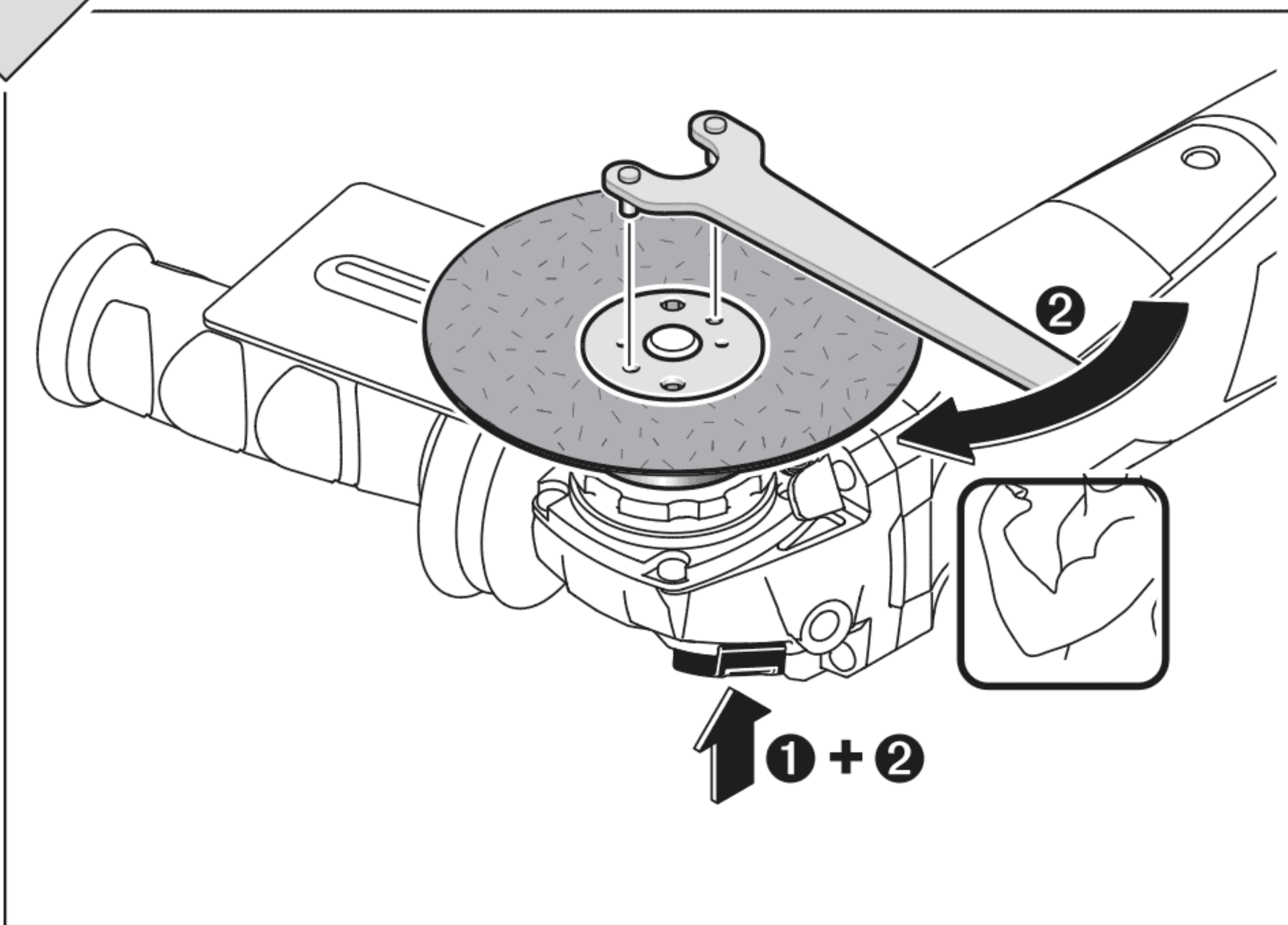
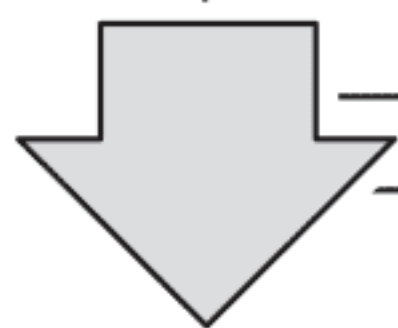
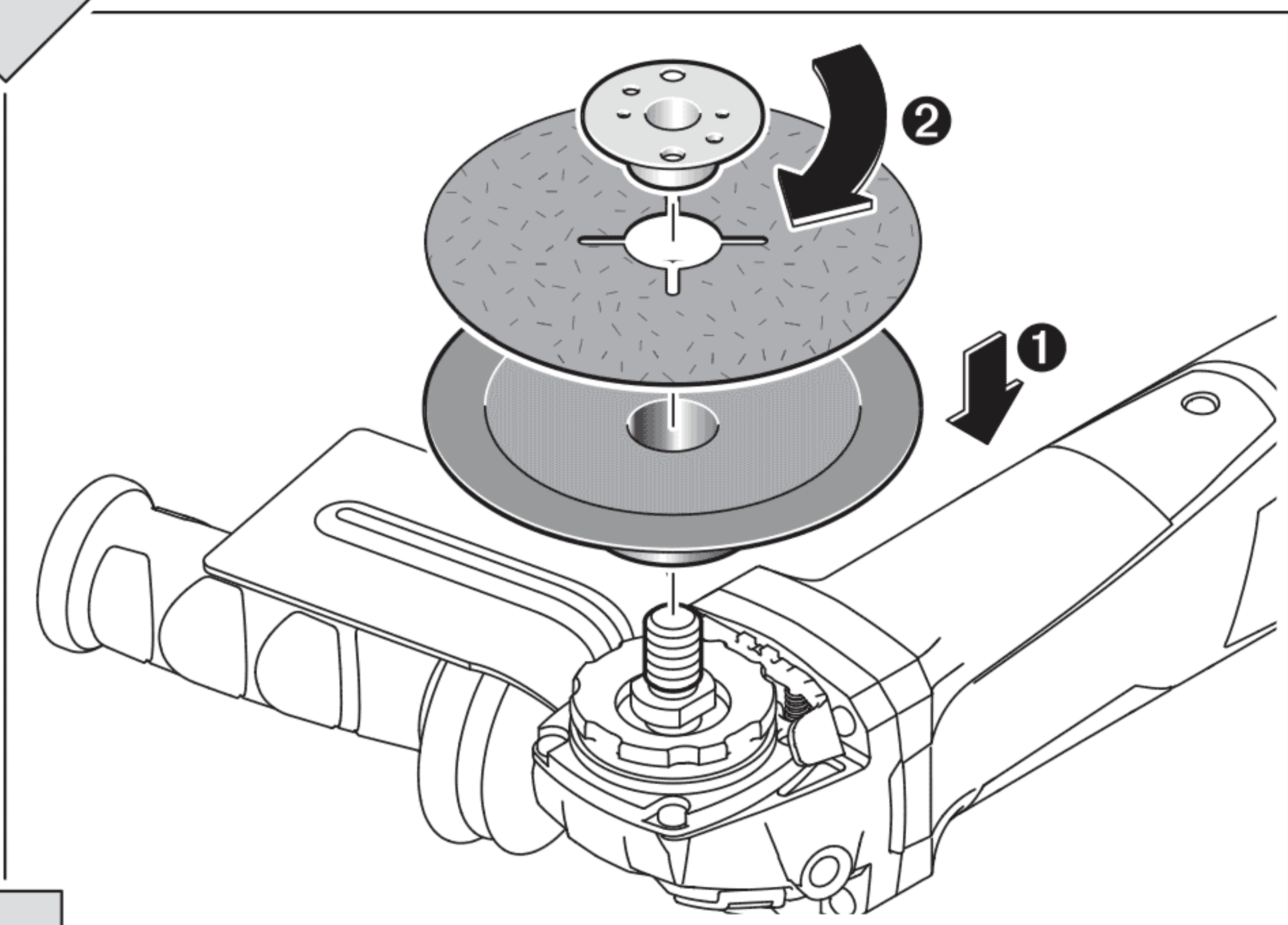
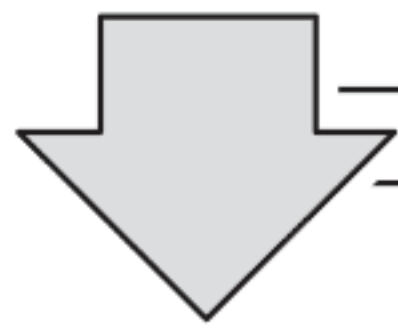
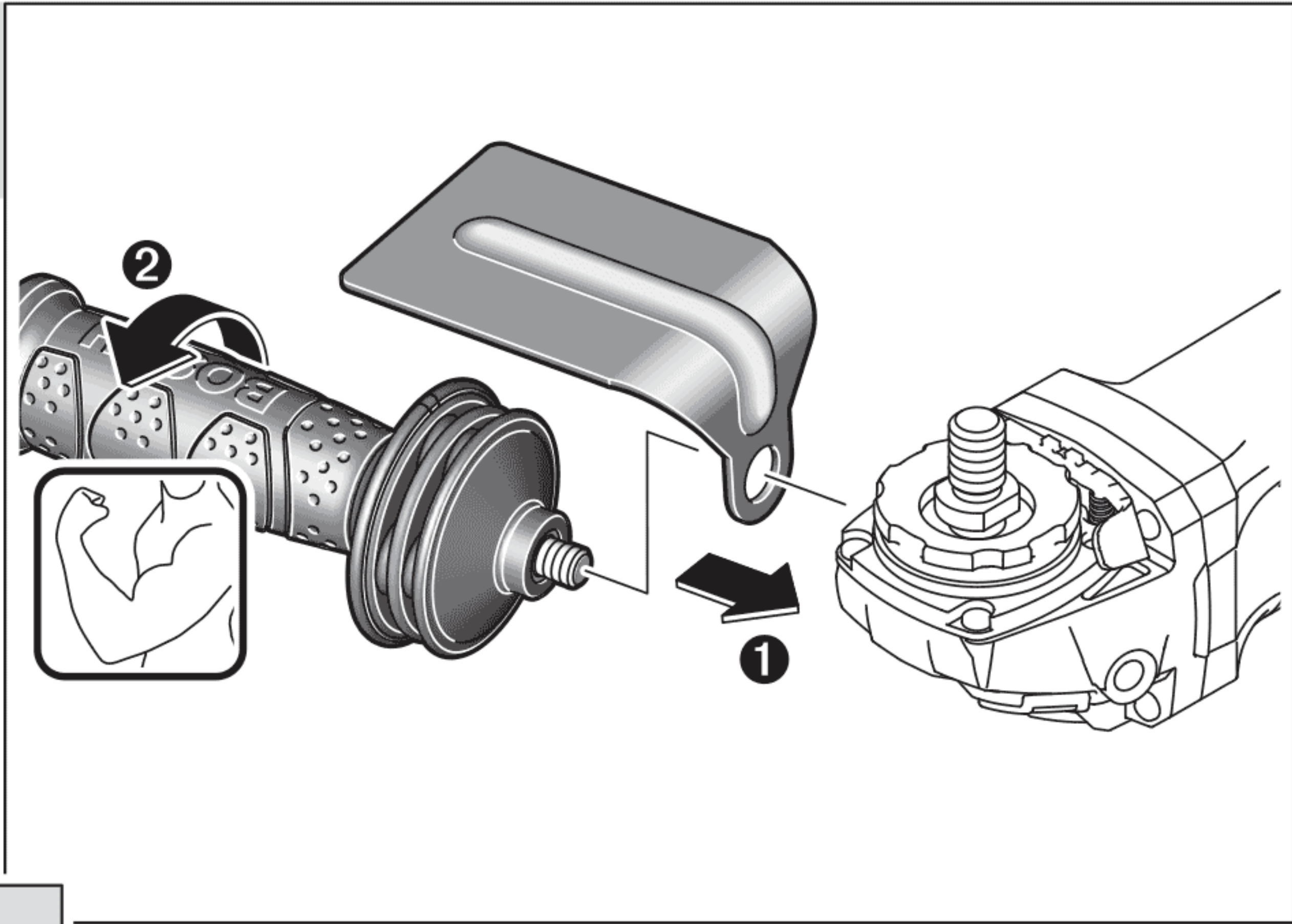
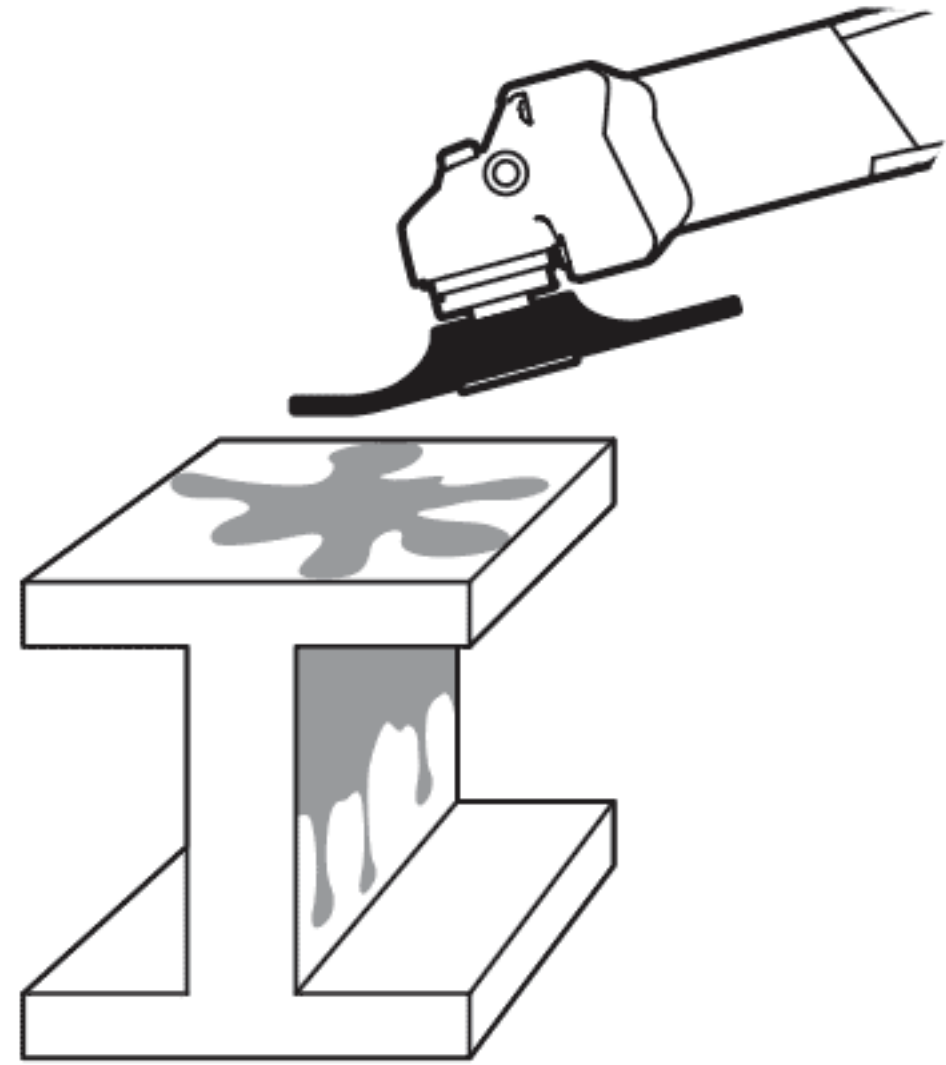
ПАРКЕТНАЯ  
КОМПАНИЯ







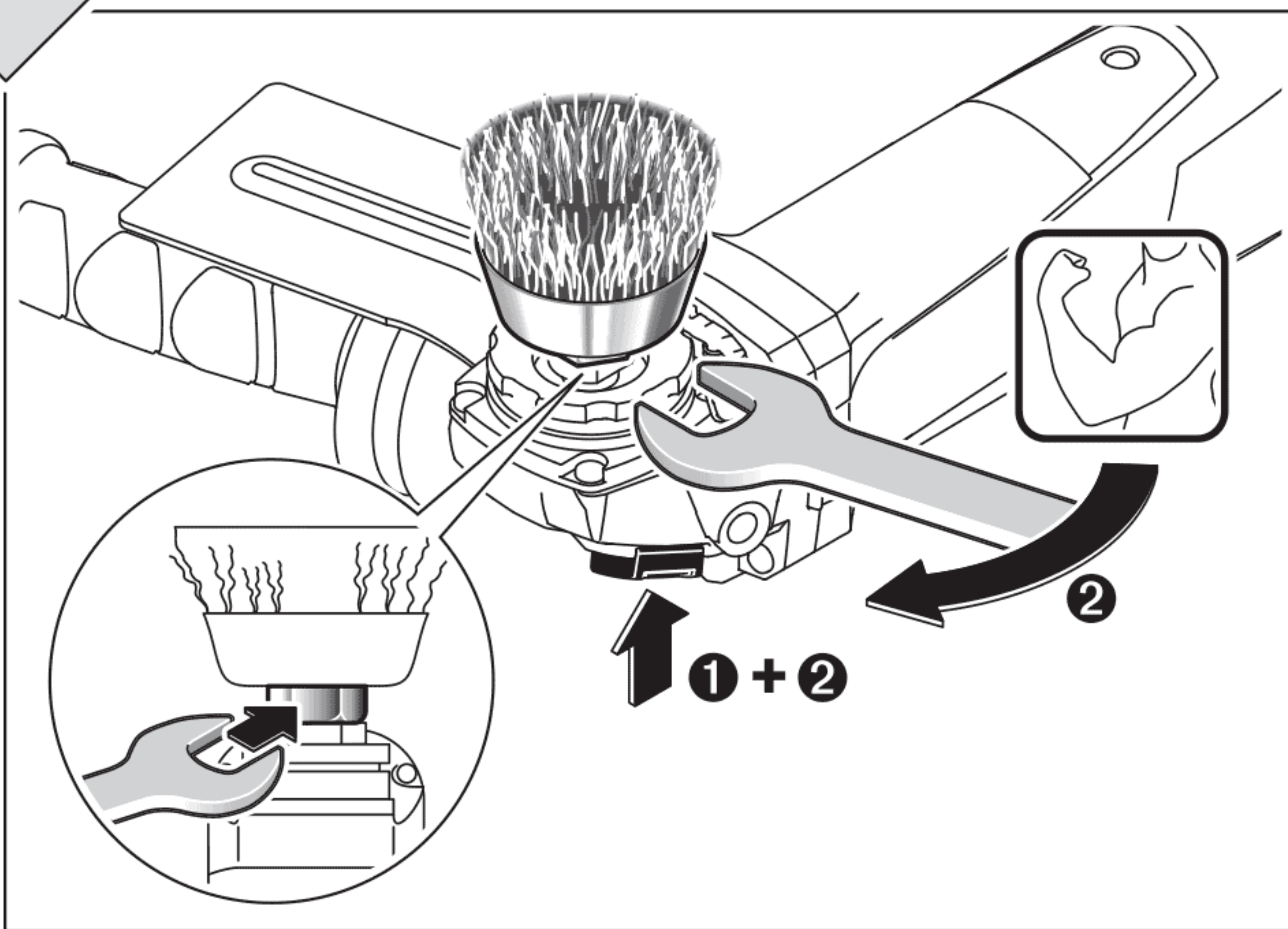
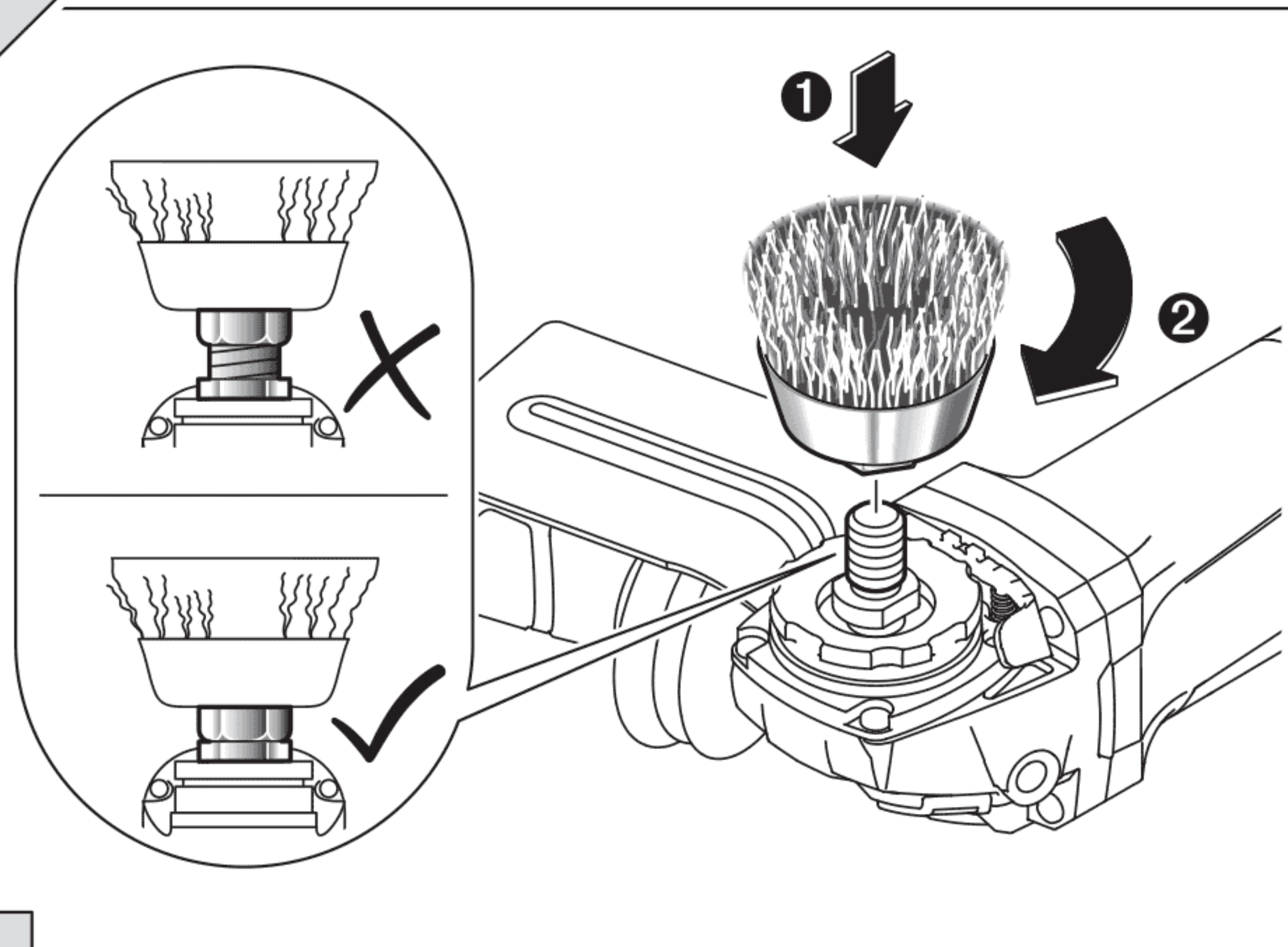
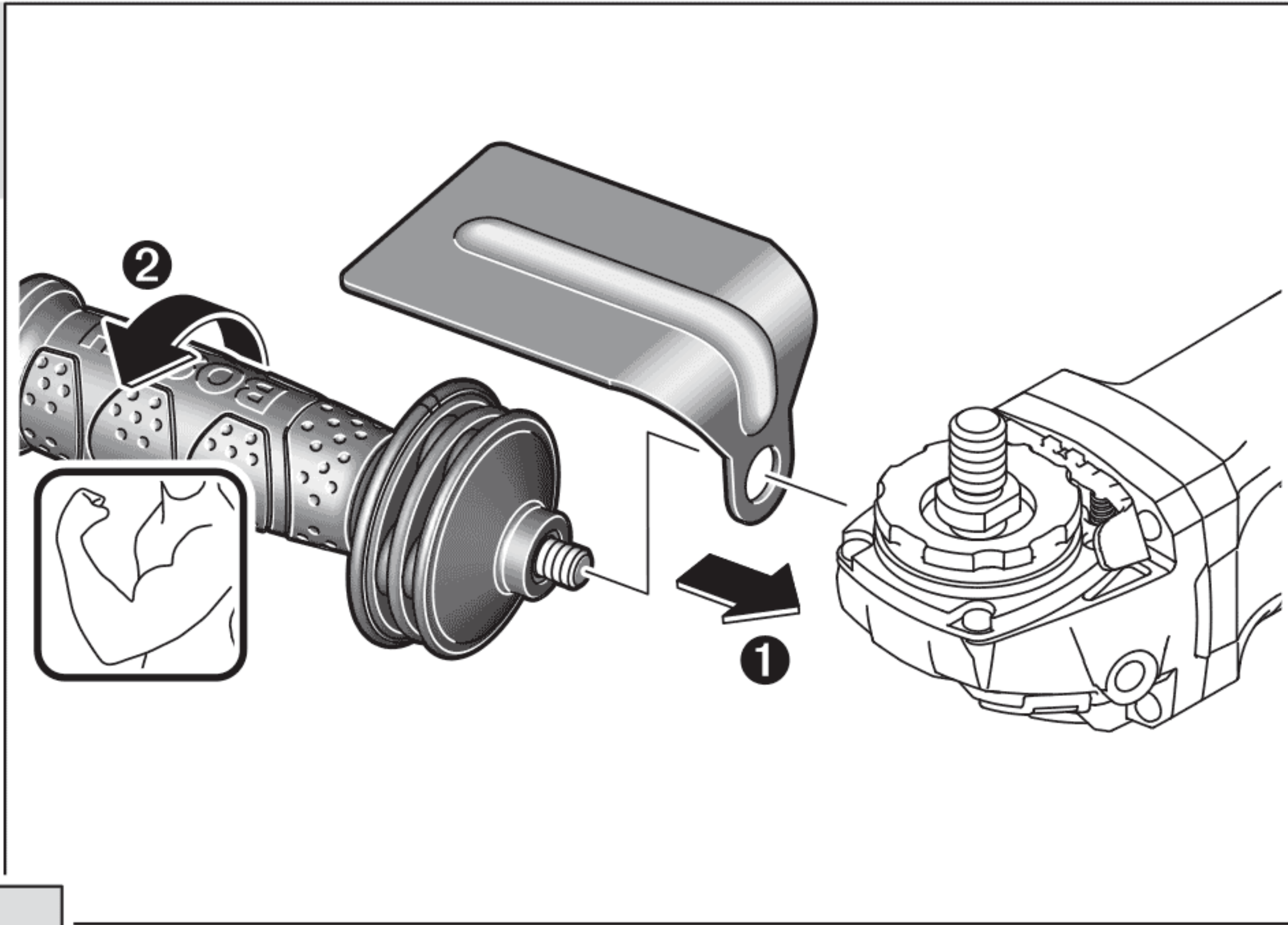
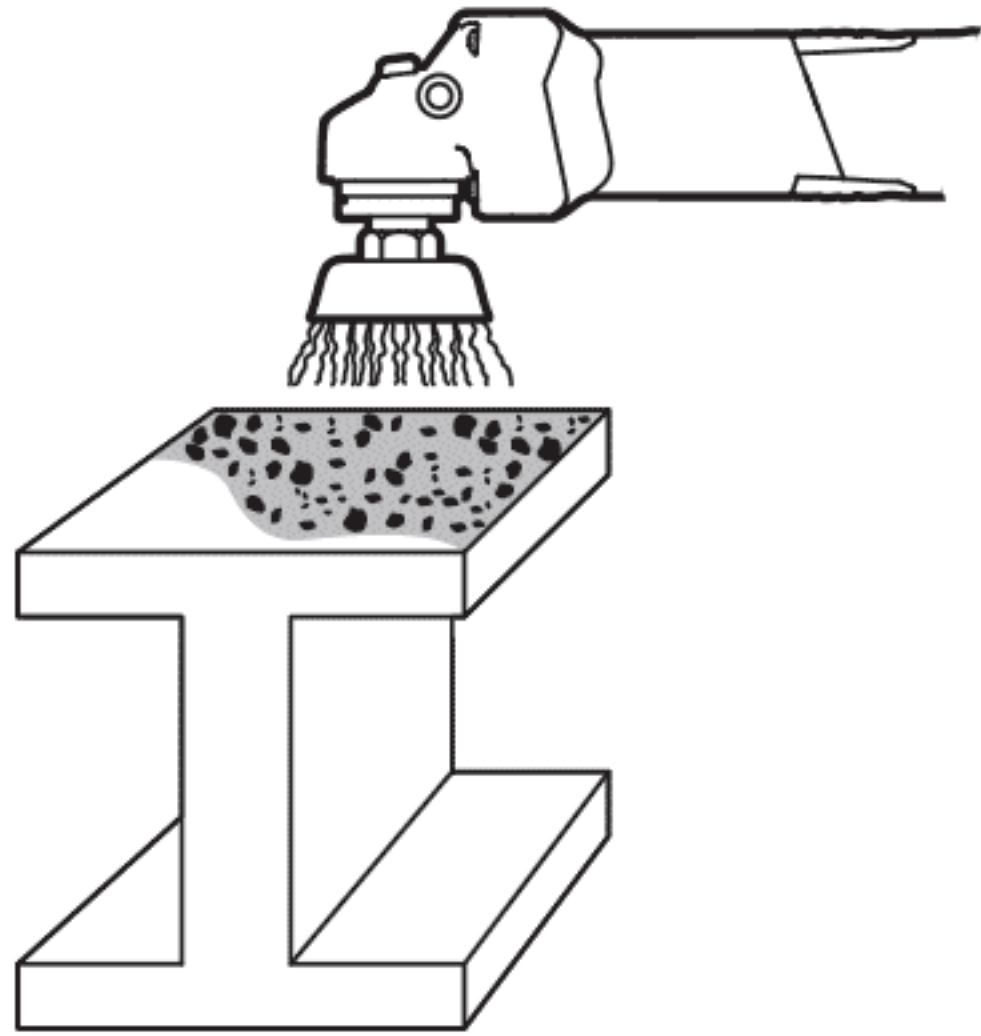
5



ПАРКЕТНАЯ  
КОМПАНИЯ



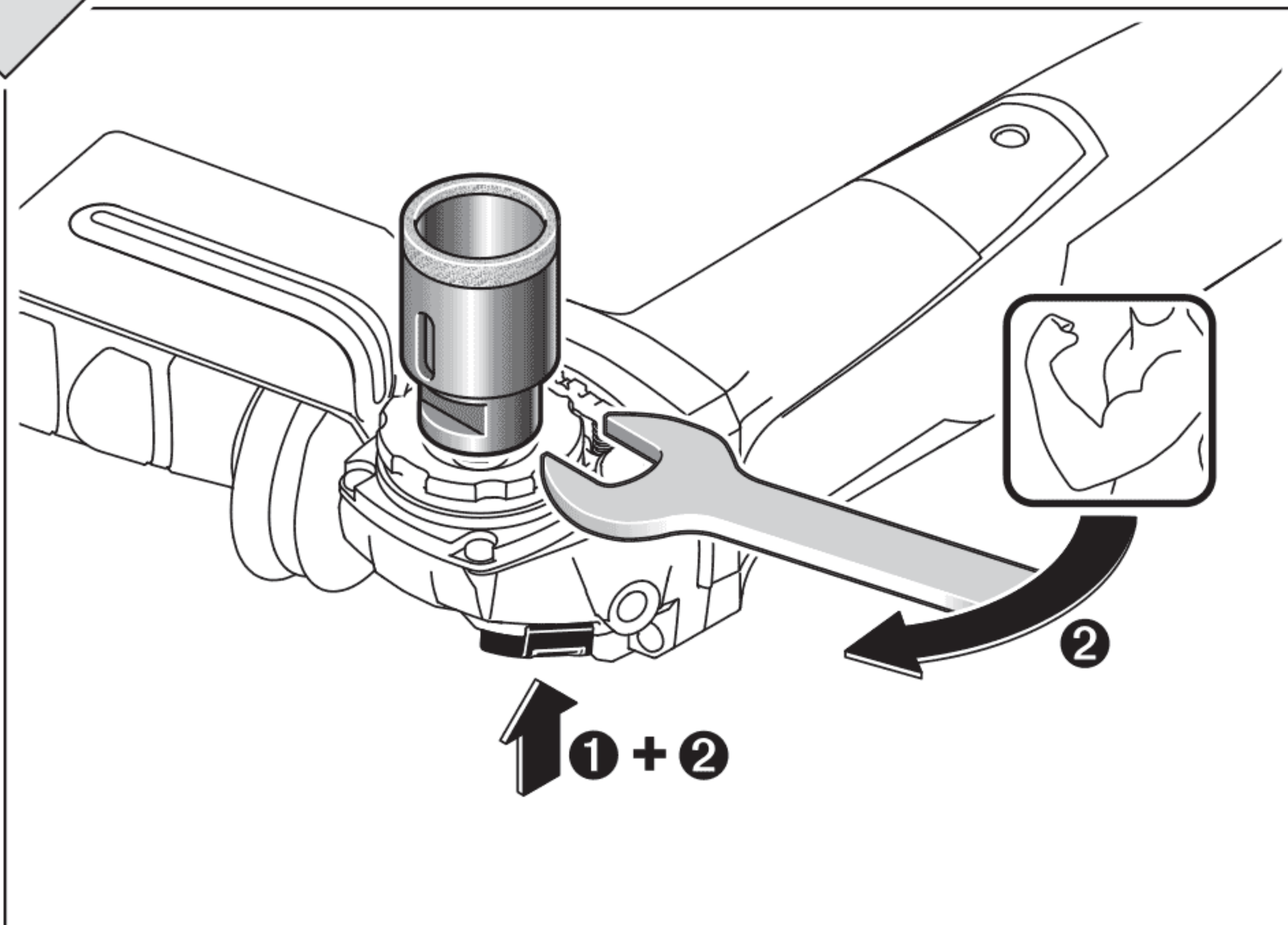
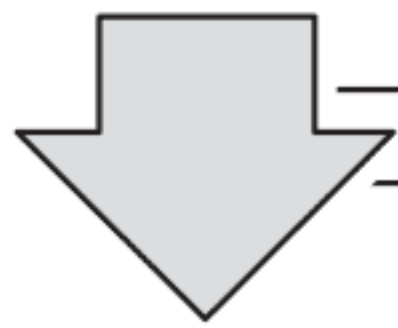
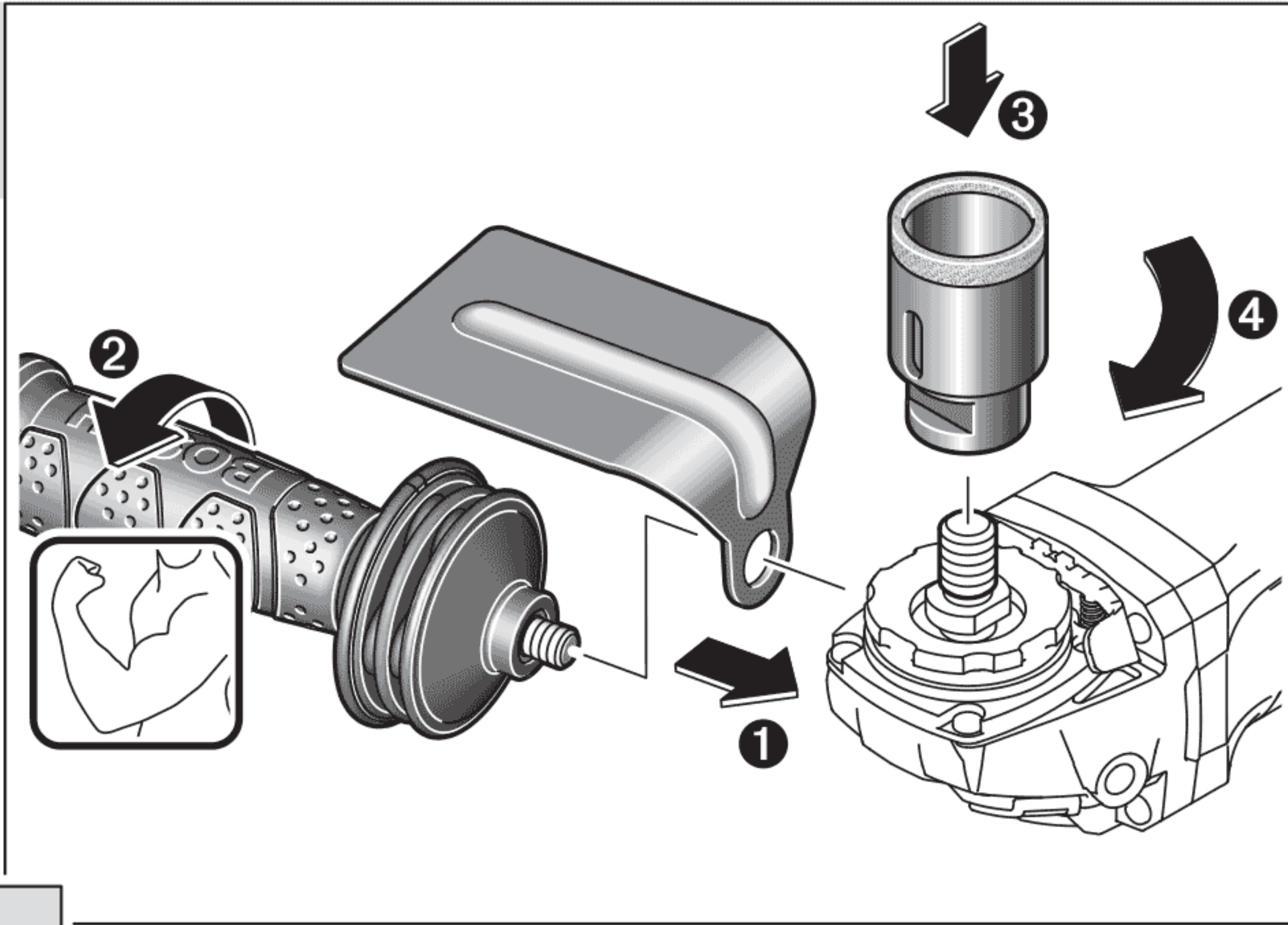
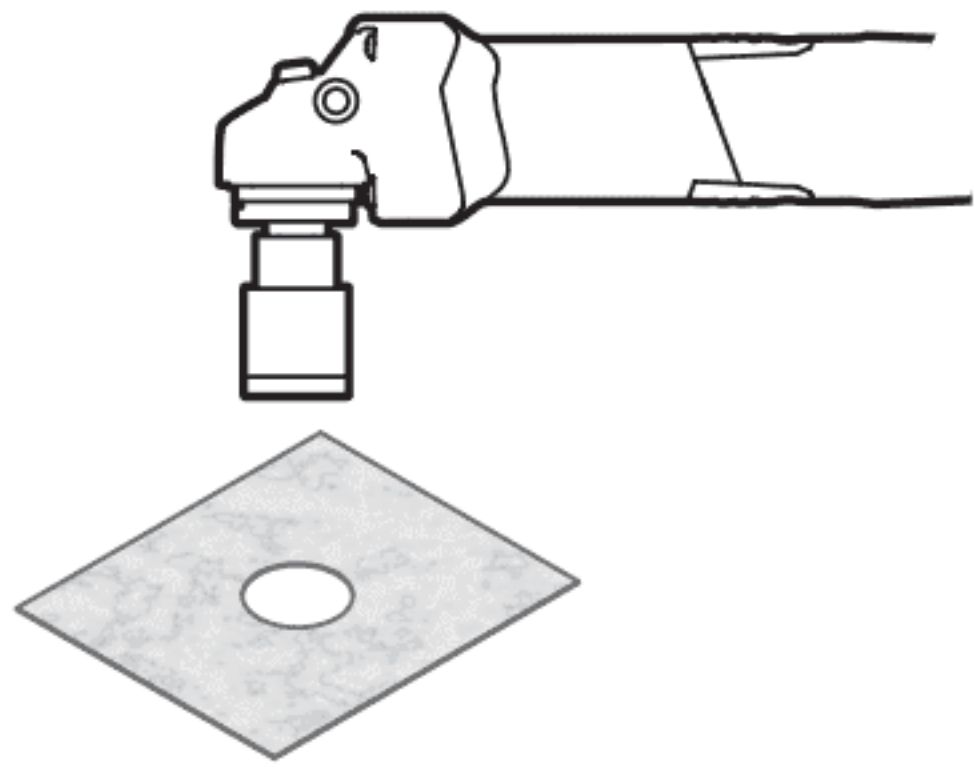
6



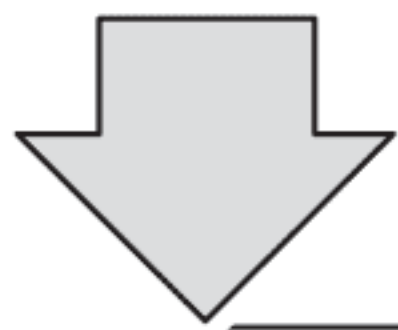
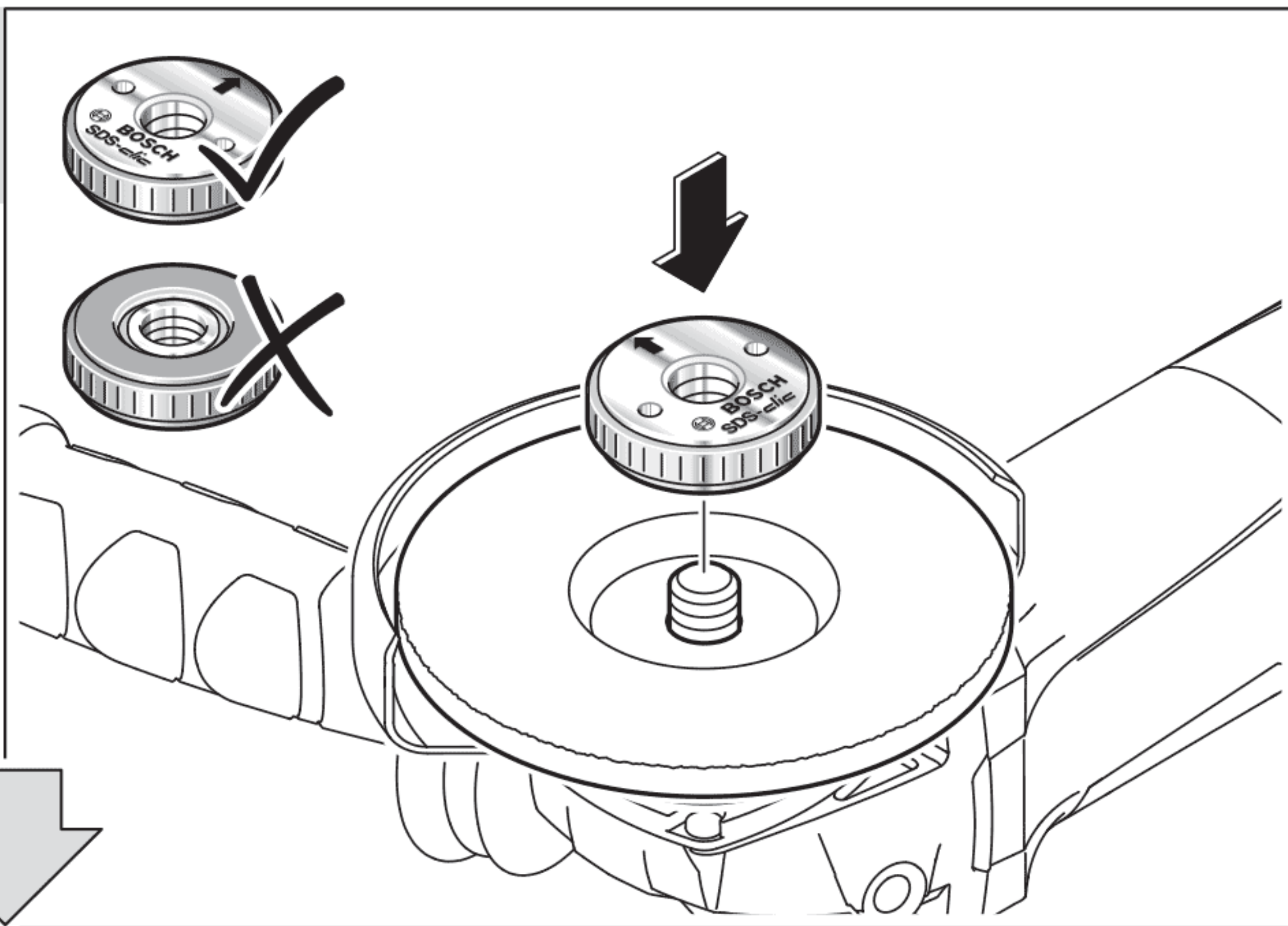
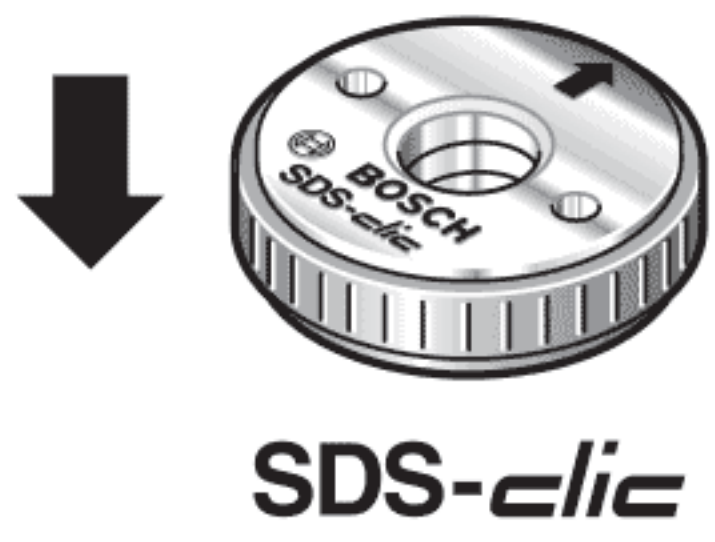
ПАРКЕТНАЯ  
КОМПАНИЯ



7

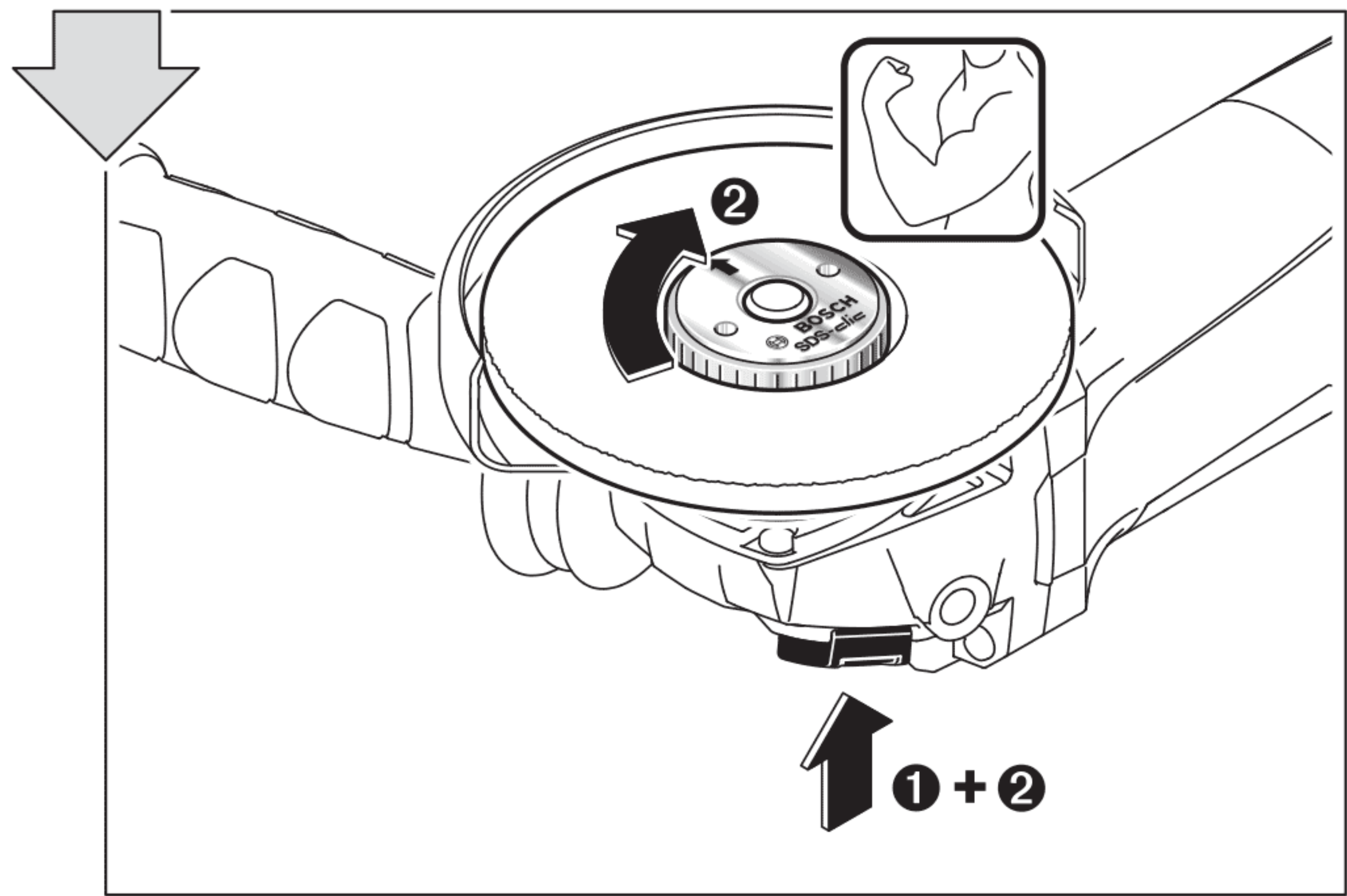


8

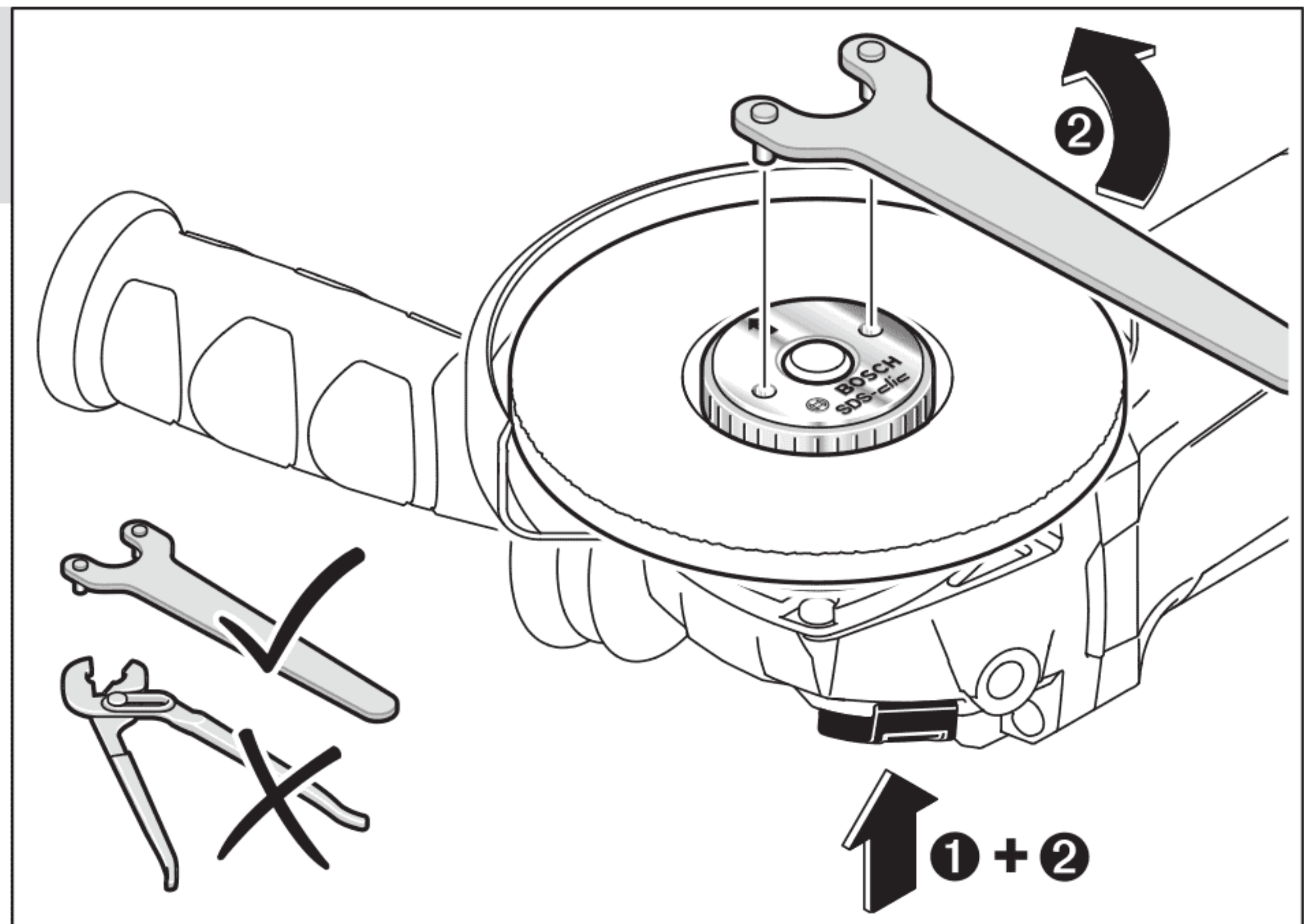
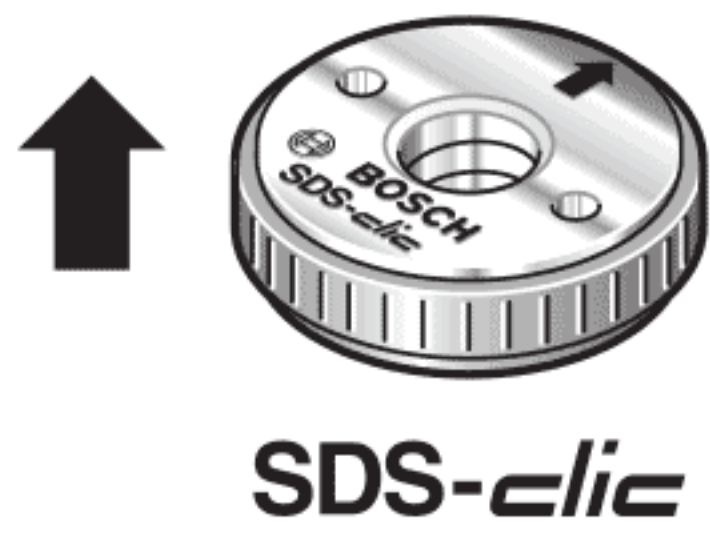


ПАРКЕТНАЯ  
КОМПАНИЯ

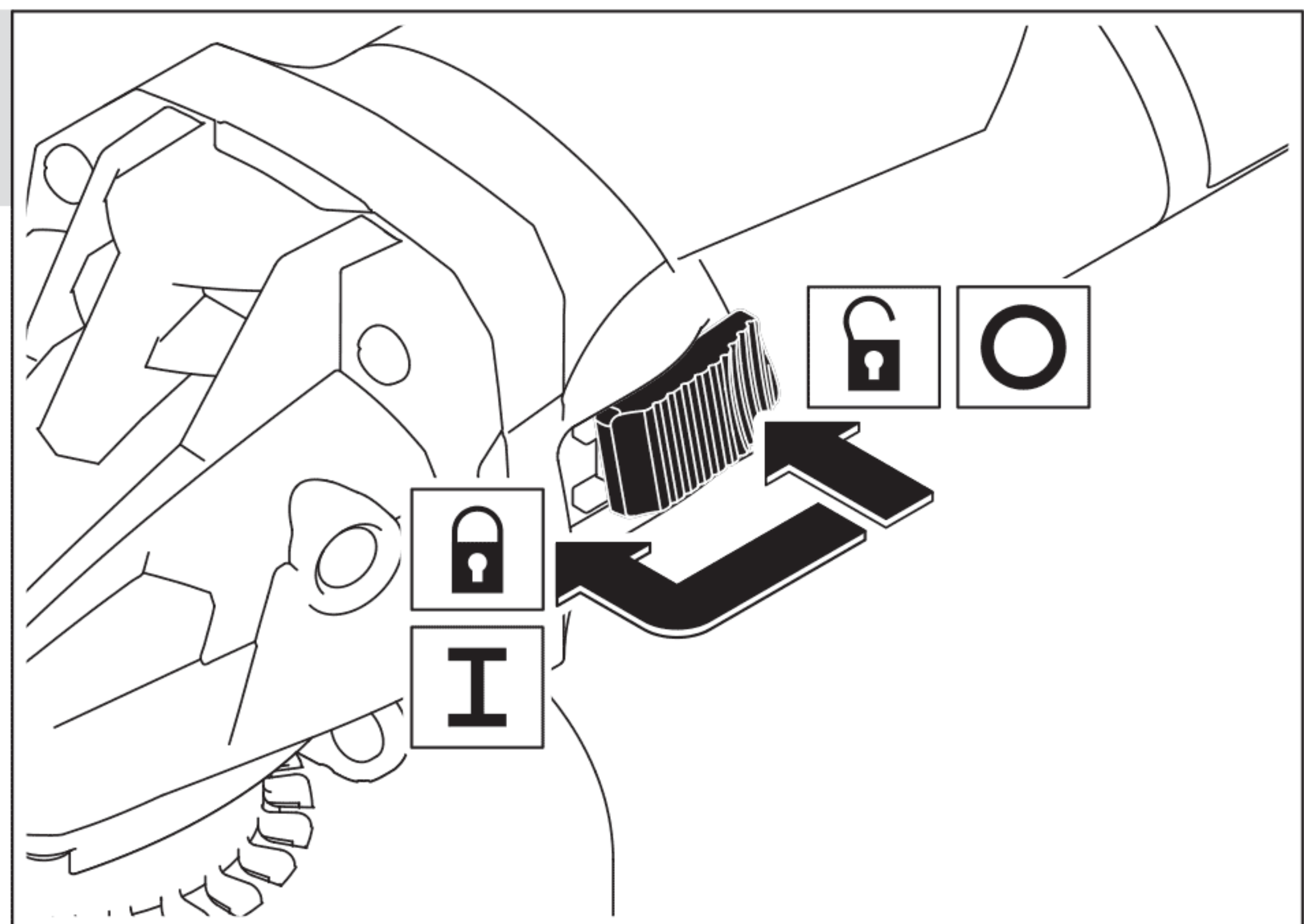




9

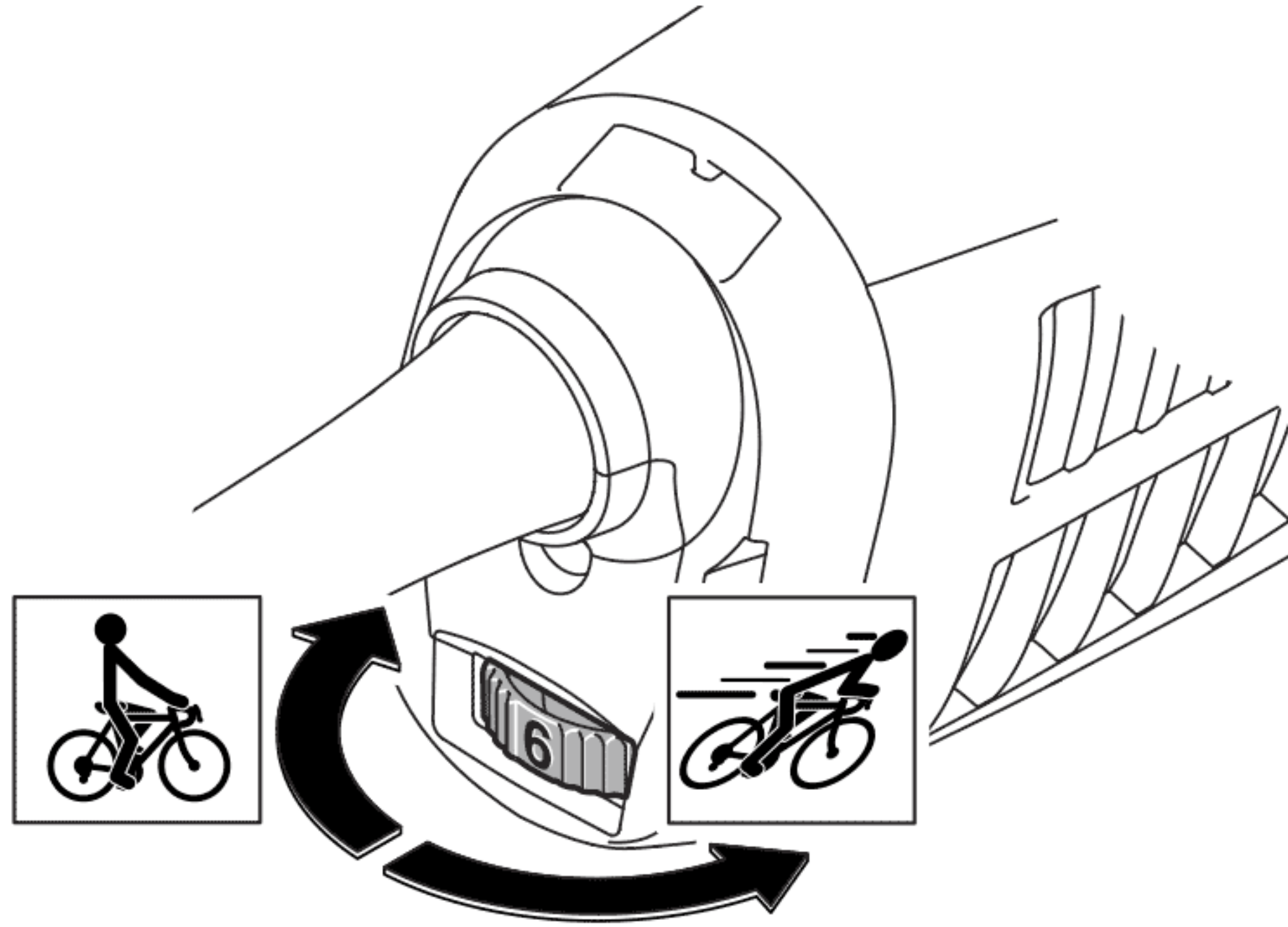
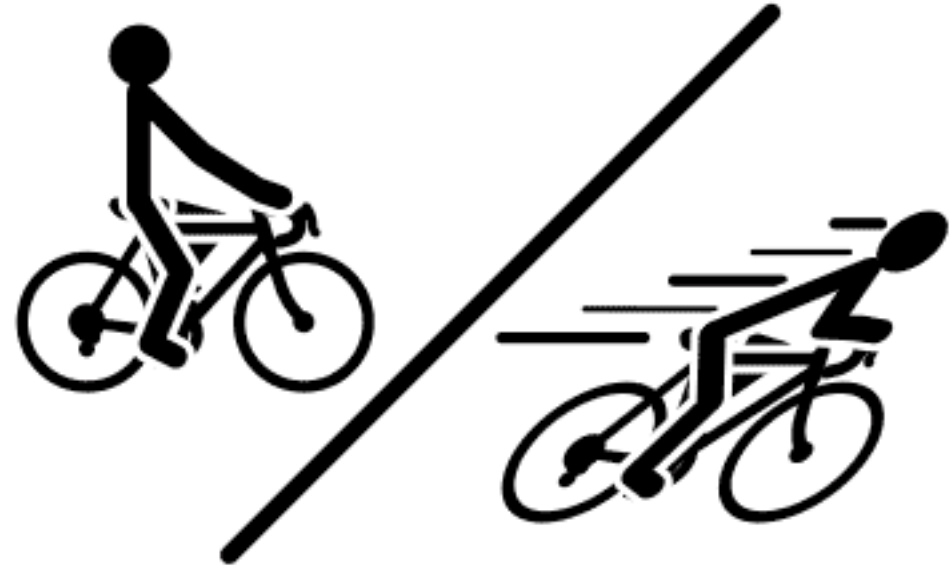


10

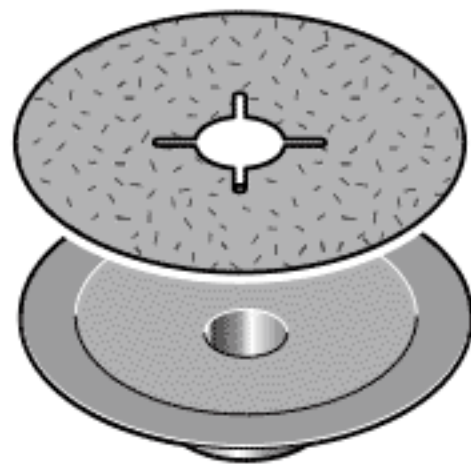




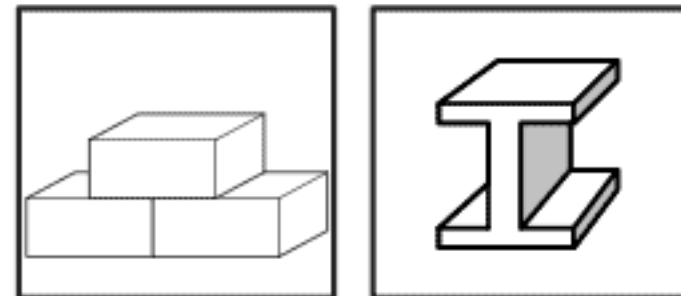
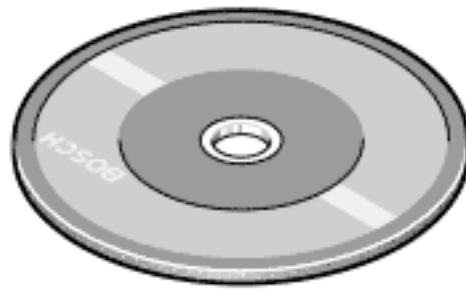
# 11



2 3



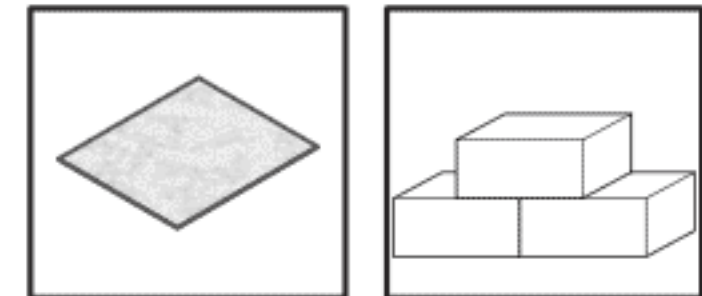
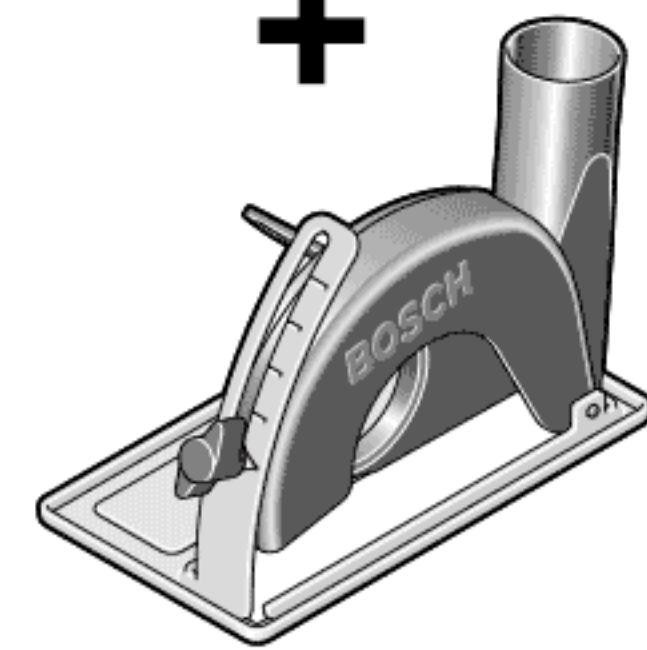
4 5 6



5 6



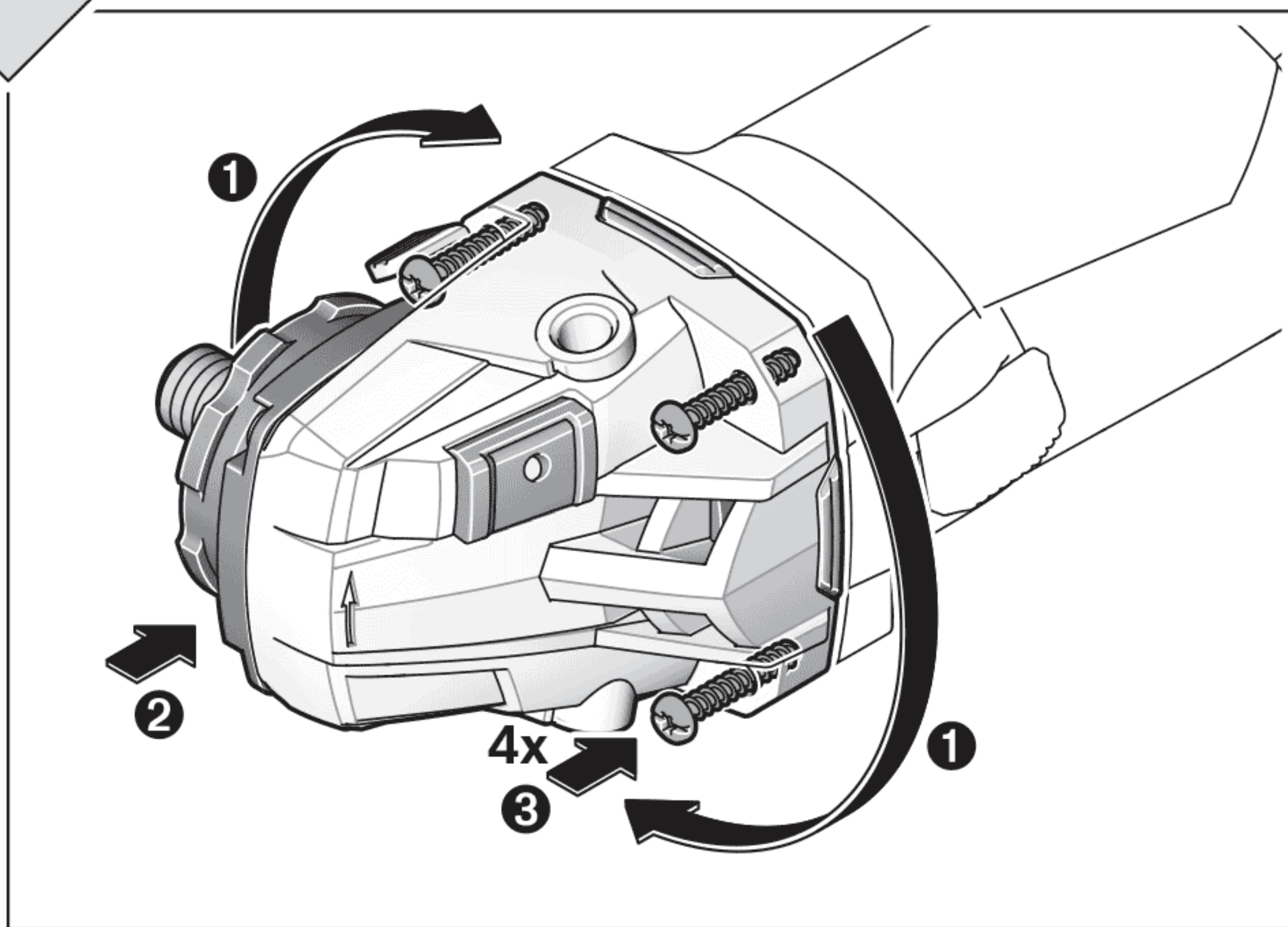
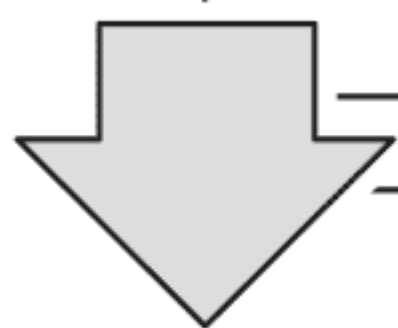
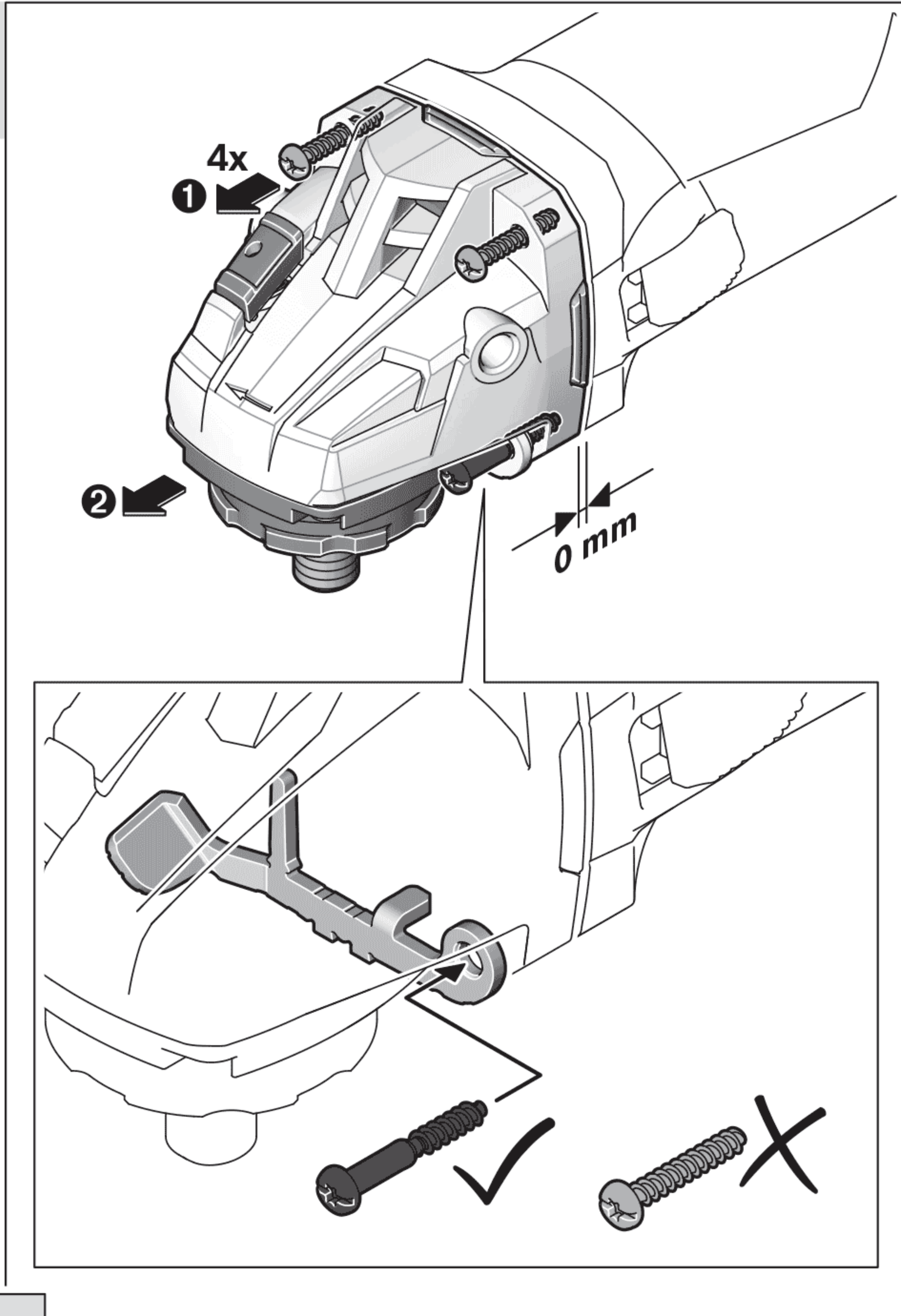
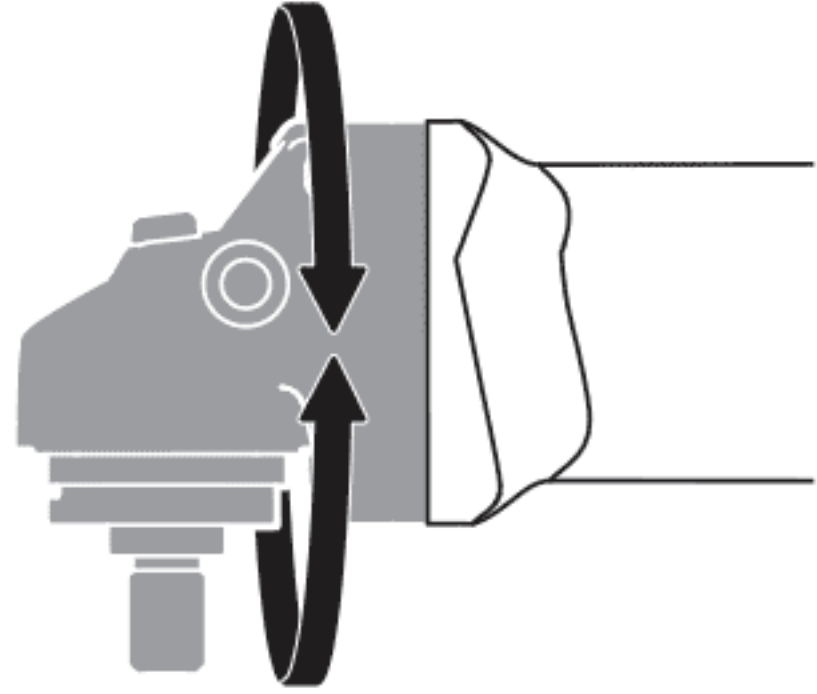
+



ПАРКЕТНАЯ  
КОМПАНИЯ



12



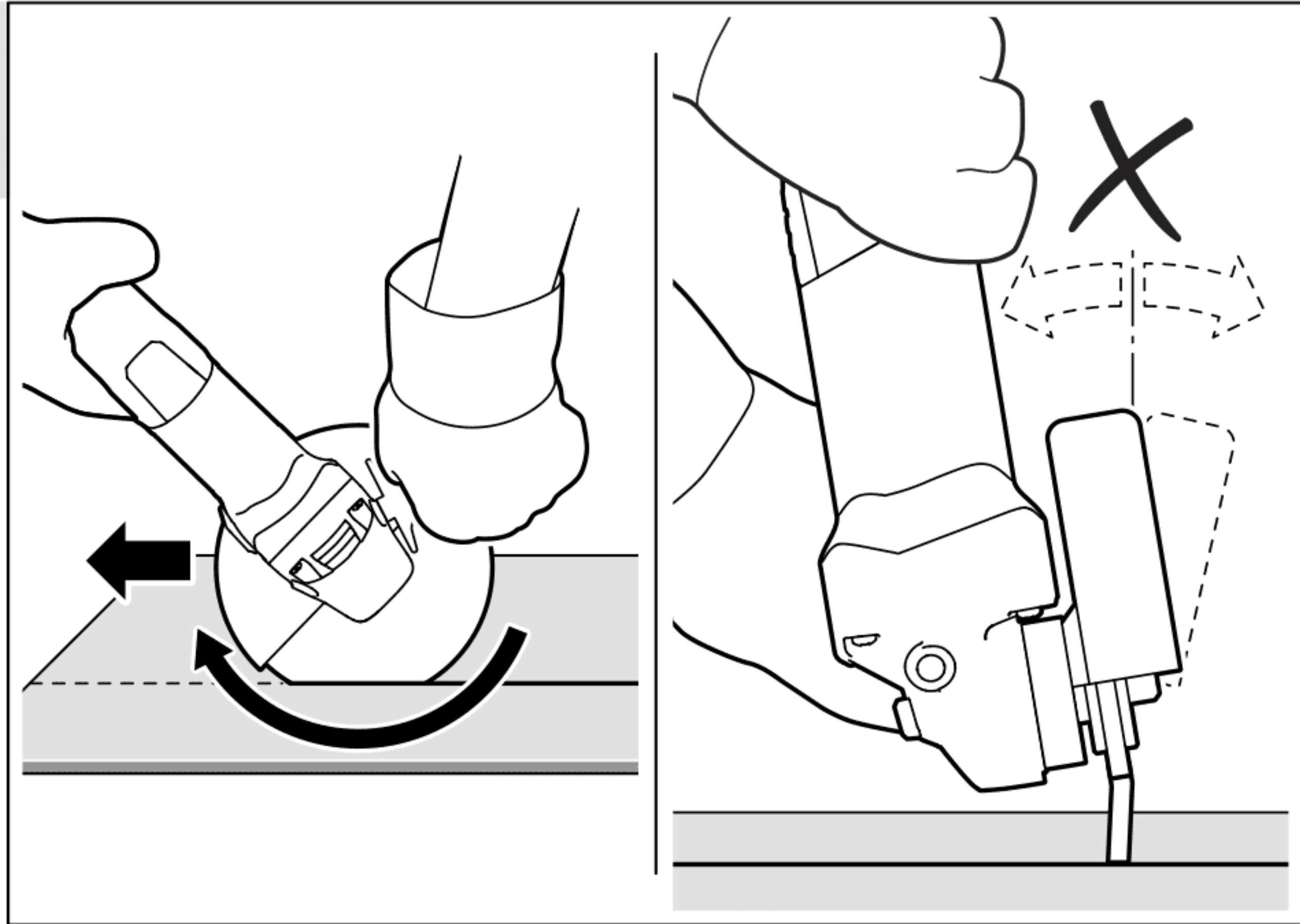
ПАРКЕТНАЯ  
КОМПАНИЯ



13

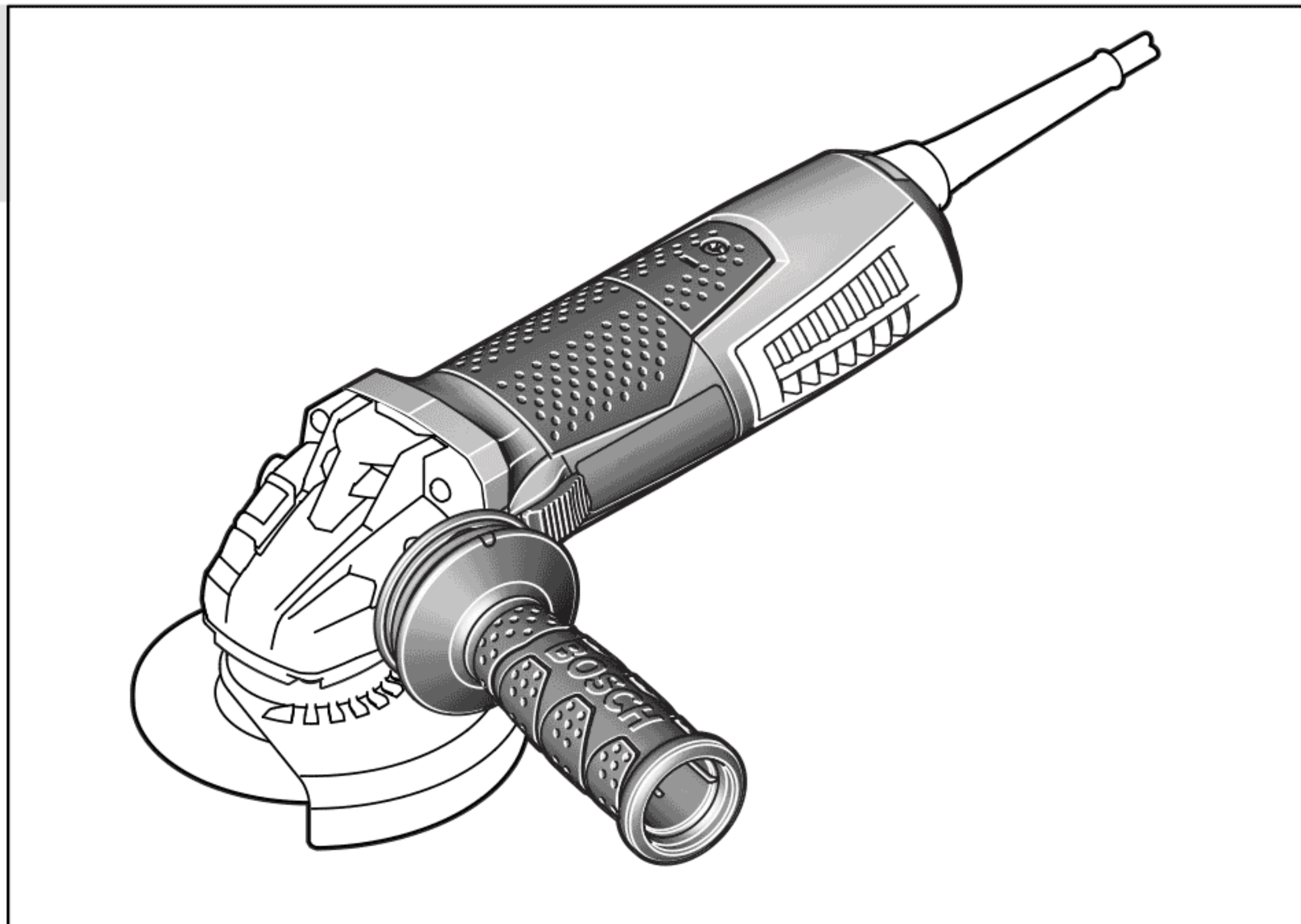


**i+**



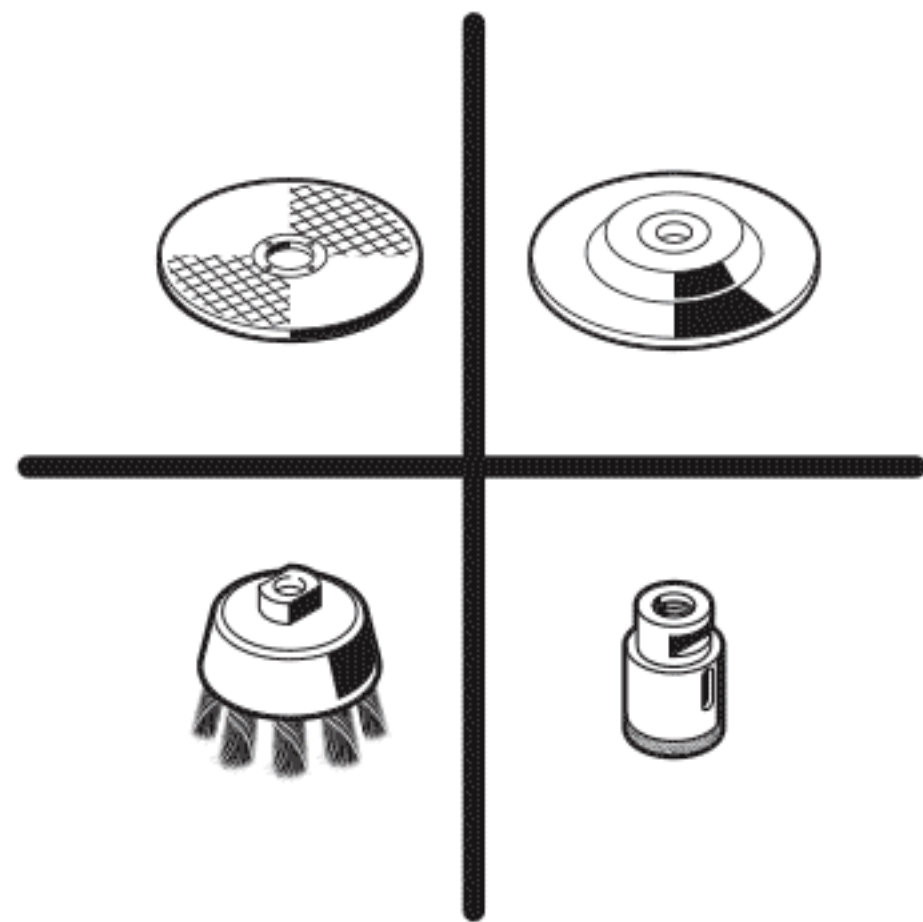
14

**i+**





15

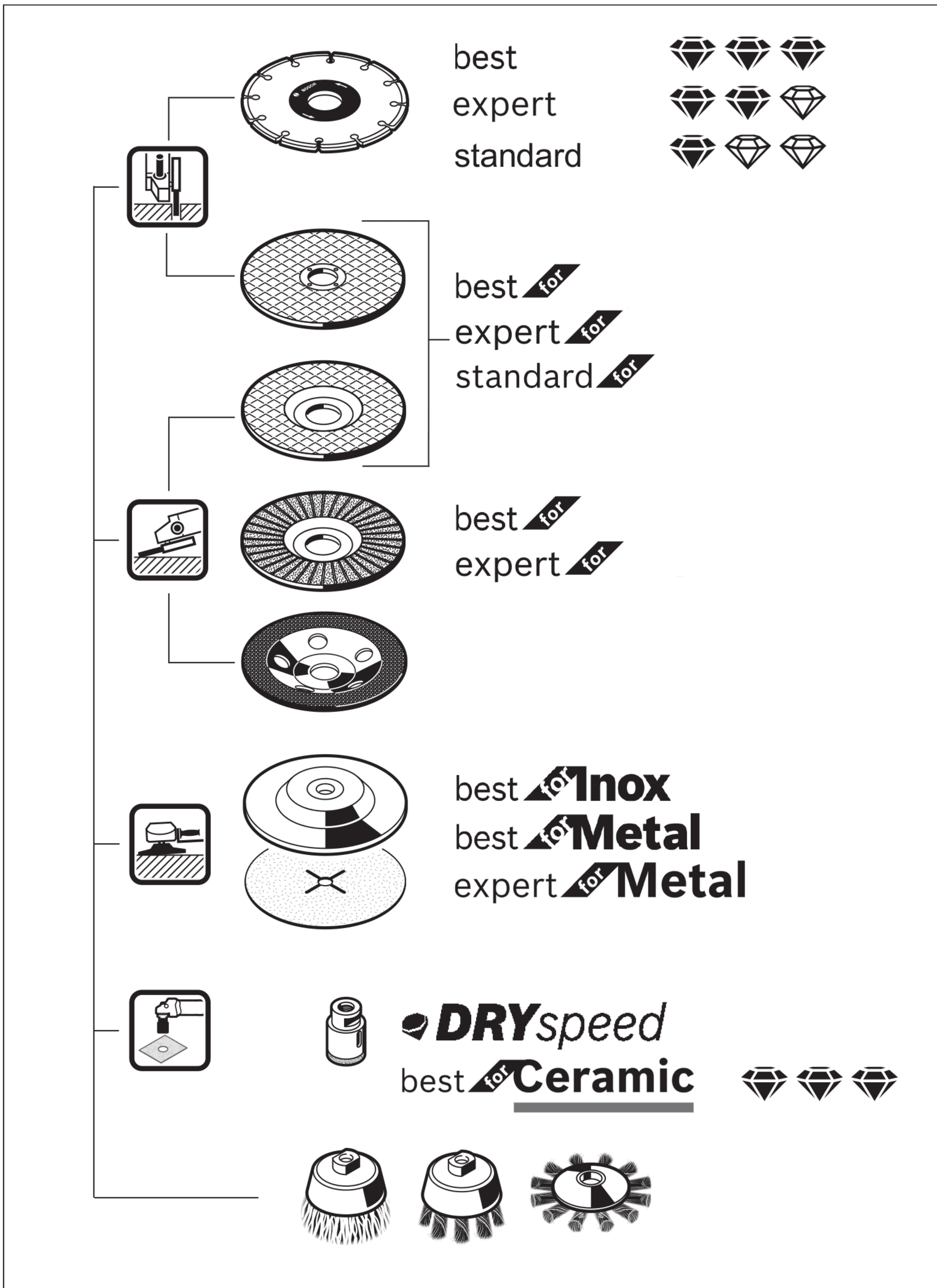


	max. [mm]			[min <sup>-1</sup> ]	[m/s]
	D	b	d		
	115	7	22,2	11500	80
	125	7	22,2	11500	80
	150	7	22,2	9300	80
	115	-	-	11500	80
	125	-	-	11500	80
	75	30	M 14	11500	45
	82	-	M 14	11500	80

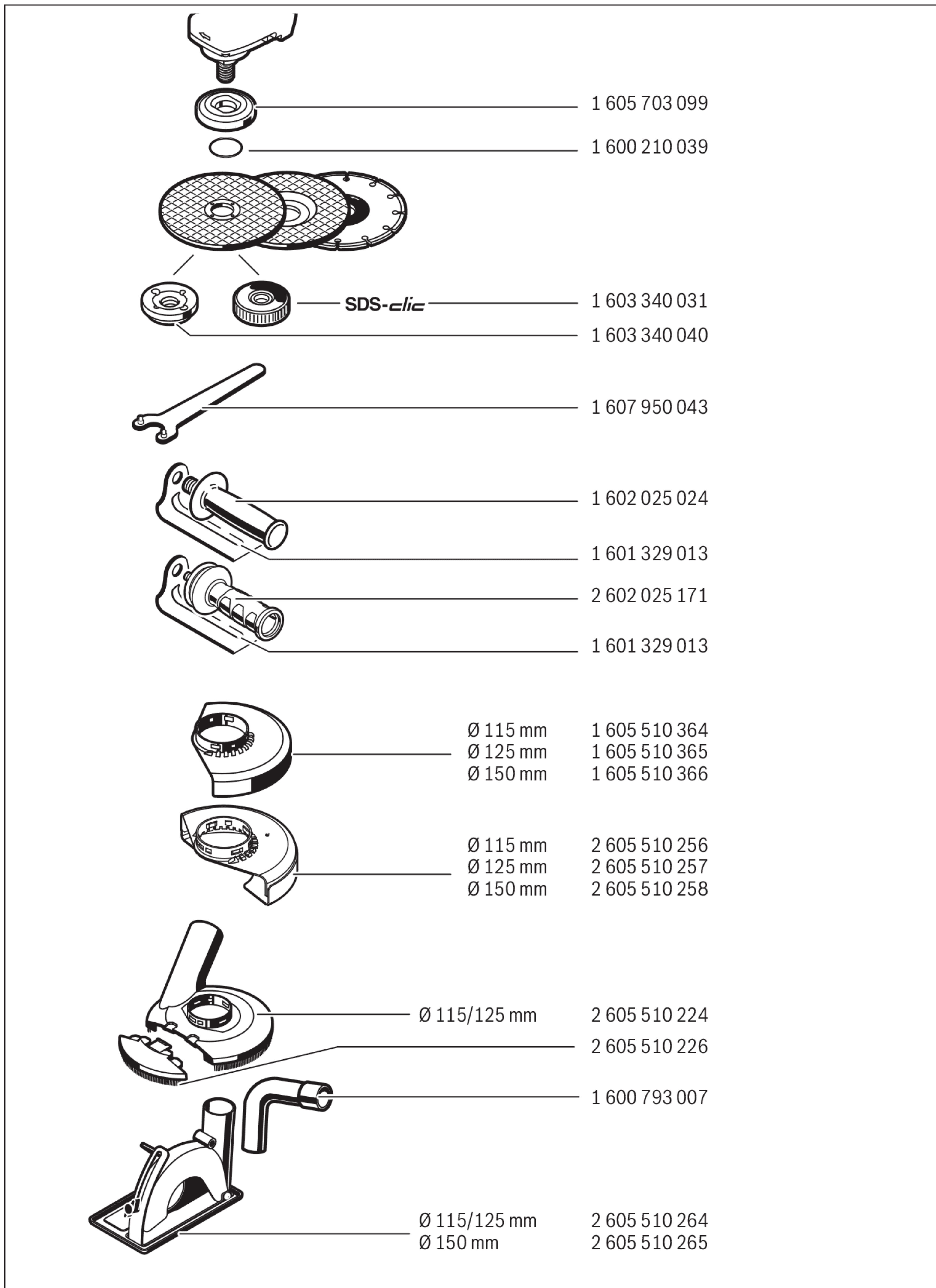


ПАРКЕТНАЯ  
КОМПАНИЯ





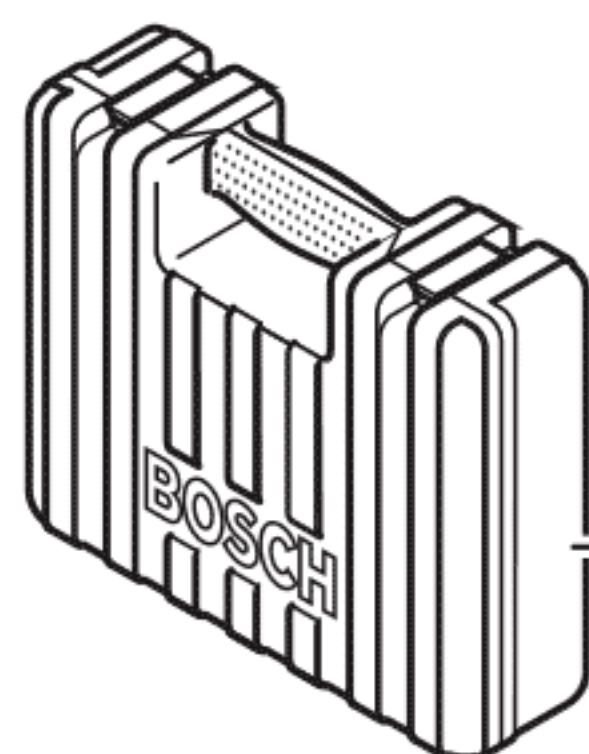




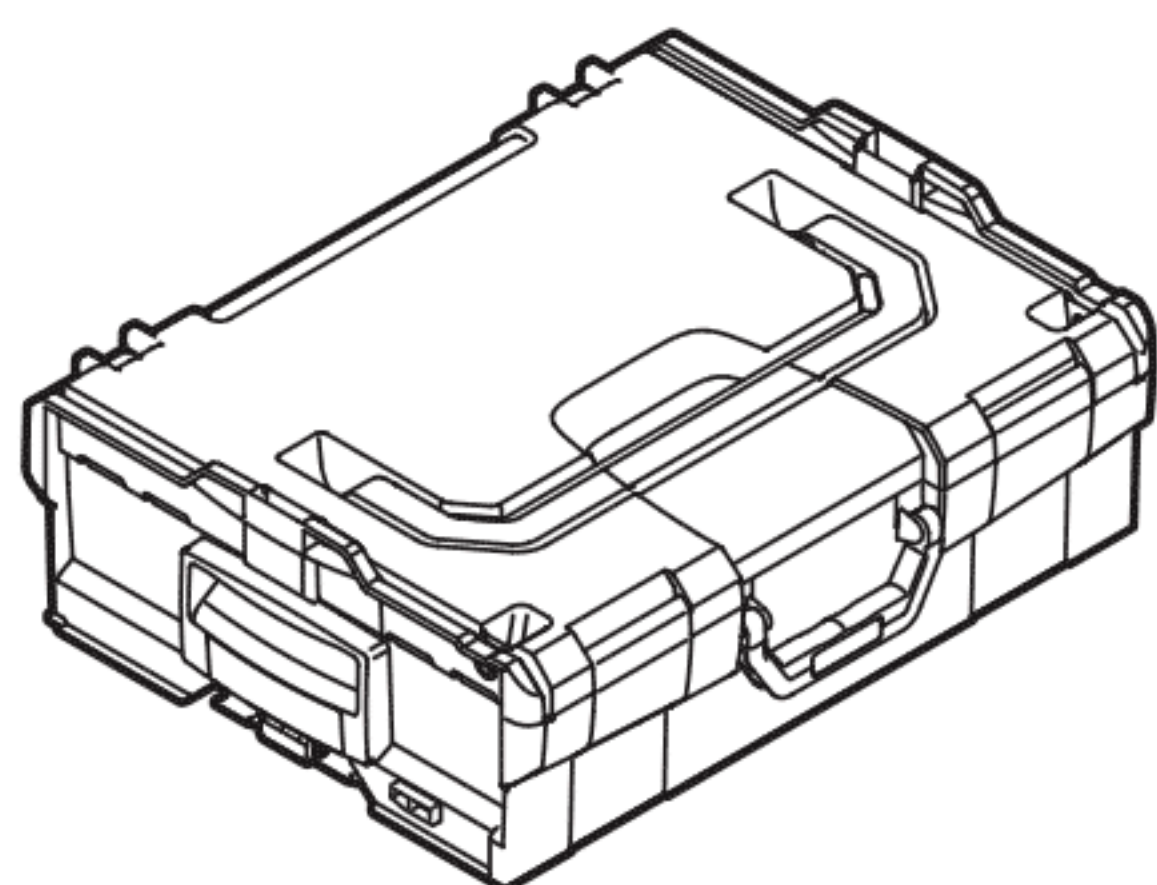




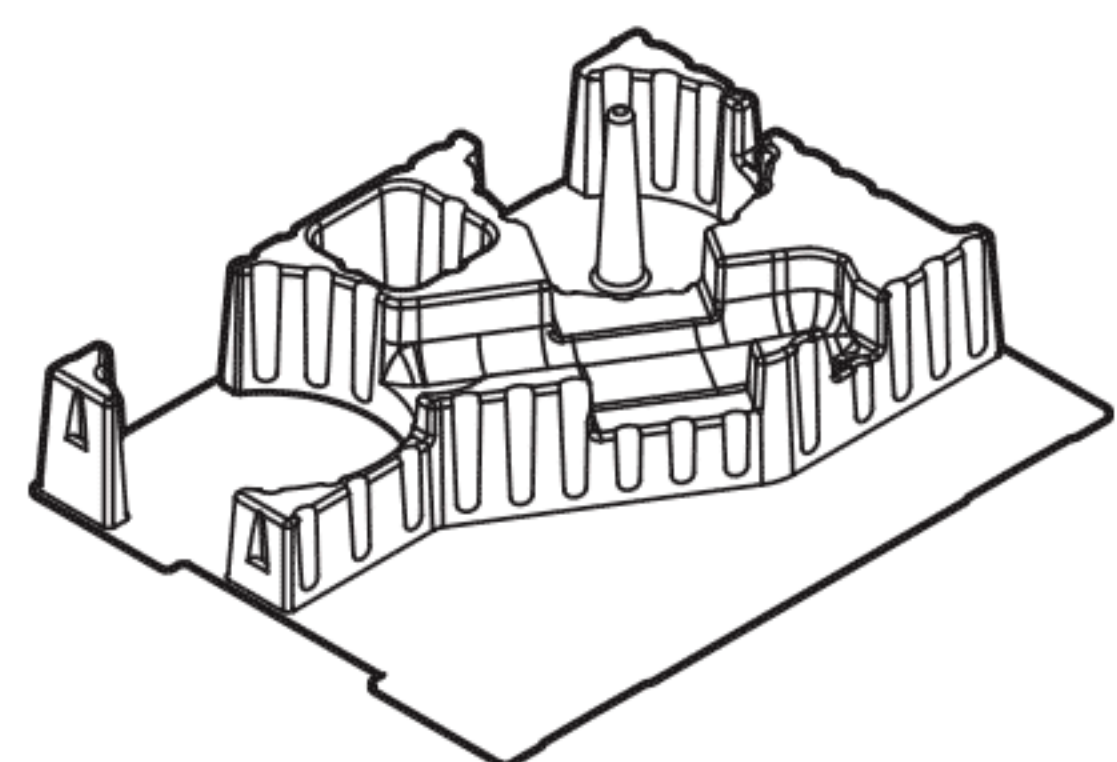
**ПАРКЕТНАЯ  
КОМПАНИЯ**



2 605 438 170



2 608 438 692  
(L-BOXX 136)



2 608 438 114





I		CE
<b>de</b>	<b>EU-Konformitätserklärung</b> Winkelschleifer Sachnummer	Wir erklären in alleiniger Verantwortung, dass die genannten Produkte allen einschlägigen Bestimmungen der nachfolgend aufgeführten Richtlinien und Verordnungen entsprechen und mit folgenden Normen übereinstimmen. Technische Unterlagen bei: *
<b>en</b>	<b>EU Declaration of Conformity</b> Angle Grinder Article number	We declare under our sole responsibility that the stated products comply with all applicable provisions of the directives and regulations listed below and are in conformity with the following standards. Technical file at: *
<b>fr</b>	<b>Déclaration de conformité UE</b> Meuleuse angulaire N° d'article	Nous déclarons sous notre propre responsabilité que les produits décrits sont en conformité avec les directives, règlements normatifs et normes énumérés ci-dessous. Dossier technique auprès de : *
<b>es</b>	<b>Declaración de conformidad UE</b> Amoladora angular N° de artículo	Declaramos bajo nuestra exclusiva responsabilidad, que los productos nombrados cumplen con todas las disposiciones correspondientes de las Directivas y los Reglamentos mencionados a continuación y están en conformidad con las siguientes normas. Documentos técnicos de: *
<b>pt</b>	<b>Declaração de Conformidade UE</b> Rebarbadora N.º do produto	Declaramos sob nossa exclusiva responsabilidade que os produtos mencionados cumprem todas as disposições e os regulamentos indicados e estão em conformidade com as seguintes normas. Documentação técnica pertencente à: *
<b>it</b>	<b>Dichiarazione di conformità UE</b> Levigatrice angolare Codice prodotto	Dichiariamo sotto la nostra piena responsabilità che i prodotti indicati sono conformi a tutte le disposizioni pertinenti delle Direttive e dei Regolamenti elencati di seguito, nonché alle seguenti Normative. Documentazione Tecnica presso: *
<b>nl</b>	<b>EU-conformiteitsverklaring</b> Haakse slijpmachines Productnummer	Wij verklaren op eigen verantwoordelijkheid dat de genoemde producten voldoen aan alle desbetreffende bepalingen van de hierna genoemde richtlijnen en verordeningen en overeenstemmen met de volgende normen. Technisch dossier bij: *
<b>da</b>	<b>EU-overensstemmelseserklæring</b> Vinkelsliber Typenummer	Vi erklærer som eneansvarlige, at det beskrevne produkt er i overensstemmelse med alle gældende bestemmelser i følgende direktiver og forordninger og opfylder følgende standarder. Tekniske bilag ved: *
<b>sv</b>	<b>EU-konformitetsförklaring</b> Vinkelslip Produktnummer	Vi förklarar under eget ansvar att de nämnda produkterna uppfyller kraven i alla gällande bestämmelser i de nedan angivna direktiven och förordningarnas och att de stämmer överens med följande normer. Teknisk dokumentation: *
<b>no</b>	<b>EU-samsvarserklæring</b> Vinkelsliper Produktnummer	Vi erklærer under eneansvar at de nevnte produktene er i overensstemmelse med alle relevante bestemmelser i direktivene og forordningene nedenfor og med følgende standarder. Teknisk dokumentasjon hos: *
<b>fi</b>	<b>EU-vaatimustenmukaisuusvakuutus</b> Kulmahiomakone Tuotenumero	Vakuutamme täten, että mainitut tuotteet vastaavat kaikkia seuraavien direktiivien ja asetusten asiaankuuluvia vaatimuksia ja ovat seuraavien standardien vaatimusten mukaisia. Tekniset asiakirjat saatavana: *
<b>el</b>	<b>Δήλωση πιστότητας ΕΕ</b> Γωνιακός λειαντήρας Αριθμός ευρετηρίου	Δηλώνουμε με αποκλειστική μας ευθύνη, ότι τα αναφερόμενα προϊόντα αντιστοιχούν σε όλες τις σχετικές διατάξεις των πιο κάτω αναφερόμενων οδηγιών και κανονισμών και ταυτίζονται με τα ακόλουθα πρότυπα. Τεχνικά έγγραφα στη: *
<b>tr</b>	<b>AB Uygunluk beyanı</b> Taşlama makinesi Ürün kodu	Tek sorumlu olarak, tanımlanan ürünün aşağıdaki yönetmelik ve direktiflerin geçerli bütün hükümlerine ve aşağıdaki standartlara uygun olduğunu beyan ederiz. Teknik belgelerin bulunduğu yer: *








CE		II
<b>pl</b>	<b>Deklaracja zgodności UE</b> Szlifierka kątowna Numer katalogowy	Oświadczamy z pełną odpowiedzialnością, że niniejsze produkty odpowiadają wszystkim wymaganiom poniżej wyszczególnionych dyrektyw i rozporządzeń, oraz że są zgodne z następującymi normami. Dokumentacja techniczna: *
<b>cs</b>	<b>EU prohlášení o shodě</b> Úhlová bruska Objednací číslo	Prohlašujeme na výhradní zodpovědnost, že uvedený výrobek splňuje všechna příslušná ustanovení níže uvedených směrnic a nařízení a je v souladu s následujícími normami: Technické podklady u: *
<b>sk</b>	<b>EÚ vyhlásenie o zhode</b> Uhlová brúska Vecné číslo	Vyhlasujeme na výhradnú zodpovednosť, že uvedený výrobok spĺňa všetky príslušné ustanovenia nižšie uvedených smerníc a nariadení a je v súlade s nasledujúcimi normami: Technické podklady má spoločnosť: *
<b>hu</b>	<b>EU konformitási nyilatkozat</b> Sarokcsiszoló Cikkszám	Egyedüli felelősséggel kijelentjük, hogy a megnevezett termékek megfelelnek az alábbiakban felsorolásra kerülő irányelvek és rendeletek valamennyi idevágó előírásainak és megfelelnek a következő szabványoknak. Műszaki dokumentumok megőrzési pontja: *
<b>ru</b>	<b>Заявление о соответствии ЕС</b> Угловая шлифовальная машина Товарный №	Мы заявляем под нашу единоличную ответственность, что названные продукты соответствуют всем действующим предписаниям нижеуказанных директив и распоряжений, а также нижеуказанных норм. Техническая документация хранится у: *
<b>uk</b>	<b>Заява про відповідність ЄС</b> Кутова шліфмашина Товарний номер	Мизаявляємо під нашу одноособову відповідальність, що названі вироби відповідають усім чинним положенням нищеозначених директив і розпоряджень, а також нищеозначеним нормам. Технічна документація зберігається у: *
<b>kk</b>	<b>ЕО сәйкестік мағлұдамасы</b> Бұрыштық тегістеу машинасы Өнім нөмірі	Өз жауапкершілікпен біз аталған өнімдер төменде жзылған директикалар мен жарлықтардың тиісті қағидаларына сәйкестігін және төмендегі нормаларға сай екенін білдіреміз. Техникалық құжаттар: *
<b>ro</b>	<b>Declarație de conformitate UE</b> Polizor unghiular Număr de identificare	Declarăm pe proprie răspundere că produsele menționate corespund tuturor dispozițiilor relevante ale directivelor și reglementărilor enumerate în cele ce urmează și sunt în conformitate cu următoarele standarde. Documentație tehnică la: *
<b>bg</b>	<b>ЕС декларация за съответствие</b> Ъглошлайф Каталоген номер	С пълна отговорност ние декларираме, че посочените продукти отговарят на всички валидни изисквания на директивите и разпоредбите по-долу и съответства на следните стандарти. Техническа документация при: *
<b>mk</b>	<b>EU-Изјава за сообразност</b> Аголна брусилка Број на дел/артикл	Со целосна одговорност изјавуваме, дека опишаните производи се во согласност со сите релевантни одредби на следните регулативи и прописи и се во согласност со следните норми. Техничка документација кај: *
<b>sr</b>	<b>EU-izjava o usaglašenosti</b> Ugaona brusilica Broj predmeta	Na sopstvenu odgovornost izjavljujemo, da navedeni proizvodi odgovaraju svim dotičnim odredbama naknadno navedenih smernica u uredba i da su u skladu sa sledećim standardima. Tehnička dokumentacija kod: *
<b>sl</b>	<b>Izjava o skladnosti EU</b> Kotni brusilnik Številka artikla	Izjavljamo pod izključno odgovornostjo, da je omenjen izdelek v skladu z vsemi relevantnimi določili direktiv in uredb ter ustreza naslednjim standardom. Tehnična dokumentacija pri: *
<b>hr</b>	<b>EU izjava o sukladnosti</b> Kutna brusilica Kataloški br.	Pod punom odgovornošću izjavljujemo da navedeni proizvodi odgovaraju svim relevantnim odredbama direktiva i propisima navedenima u nastavku i da su sukladni sa sljedećim normama. Tehnička dokumentacija se može dobiti kod: *





III

CE

<b>et</b>	<b>EL-vastavusdeklaratsioon</b>	Kinnitame ainuvastutajatena, et nimetatud tooted vastavad järgnevalt loetletud direktiivide ja määruste kõikidele asjaomastele nõuetele ja on kooskõlas järgmiste normidega. Tehnilised dokumendid saadaval: *		
	Nurklihvmasin Tootenumber			
<b>lv</b>	<b>Deklarācija par atbilstību ES standartiem</b>	Mēs ar pilnu atbildību paziņojam, ka šeit aplūkoti izstrādājumi atbilst visiem tālāk minētajās direktīvās un rīkojumos ietvertajām saistošajām nostādnēm, kā arī sekojošiem standartiem. Tehniskā dokumentācija no: *		
	Leņķa slīpmašīna Izstrādājuma numurs			
<b>lt</b>	<b>ES atitikties deklaracija</b>	Atsakingai pareiškiame, kad išvardyti gaminiai atitinka visus privalomus žemiau nurodytų direktyvų ir reglamentų reikalavimus ir šiuos standartus. Techninė dokumentacija saugoma: *		
	Kampinio šlifavimo mašina Gaminio numeris			
	GWS 9-115	3 601 G9B 0..	2006/42/EC EN 60745-1:2009+A11:2010	
	GWS 9-125	3 601 G9C 0..	2014/30/EU EN 60745-2-3:2011+A2:2013+	
	GWS 11-125	3 601 G9D 0..	2011/65/EU A11:2014+A12:2014	
	GWS 12-125 CI	3 601 G93 06.	EN 55014-1:2006+A1:2009+A2:2011	
	GWS 12-125 CI	3 601 G93 0G.	EN 55014-2:1997+A1:2001+A2:2008	
	GWS 13-125 CI	3 601 G9E 0..	EN 61000-3-2:2014	
	GWS 13-125 CIE	3 601 G9F 0..	EN 61000-3-3:2013	
	GWS 15-125 CIE	3 601 G96 0..	EN 50581:2012	
	GWS 15-125 Inox	3 601 G9X 0..	 <b>BOSCH</b>	
	GWS 17-125 CI	3 601 G9G 0..		* Robert Bosch Power Tools GmbH (PT/ECS) 70538 Stuttgart GERMANY
	GWS 17-125 CIE	3 601 G9H 0..	Henk Becker Executive Vice President Engineering and Manufacturing	
	GWS 17-125 CIT	3 601 G9J 0..		Helmut Heinzelmänn Head of Product Certification
	GWS 17-150 CI	3 601 G9K 0..	 	
	GWS 17-125 Inox	3 601 G9M 0..		
	GWS 19-125 CI	3 601 G9N 0..	Robert Bosch Power Tools GmbH, 70538 Stuttgart, GERMANY Stuttgart, 01.01.2017	
	GWS 19-125 CIE	3 601 G9P 0..		
	GWS 19-150 CI	3 601 G9R 0..		
	GWS 19-125 CIST	3 601 G9S 0..		



ПАРКЕТНАЯ  
КОМПАНИЯ